



# **PARTS CATALOG**

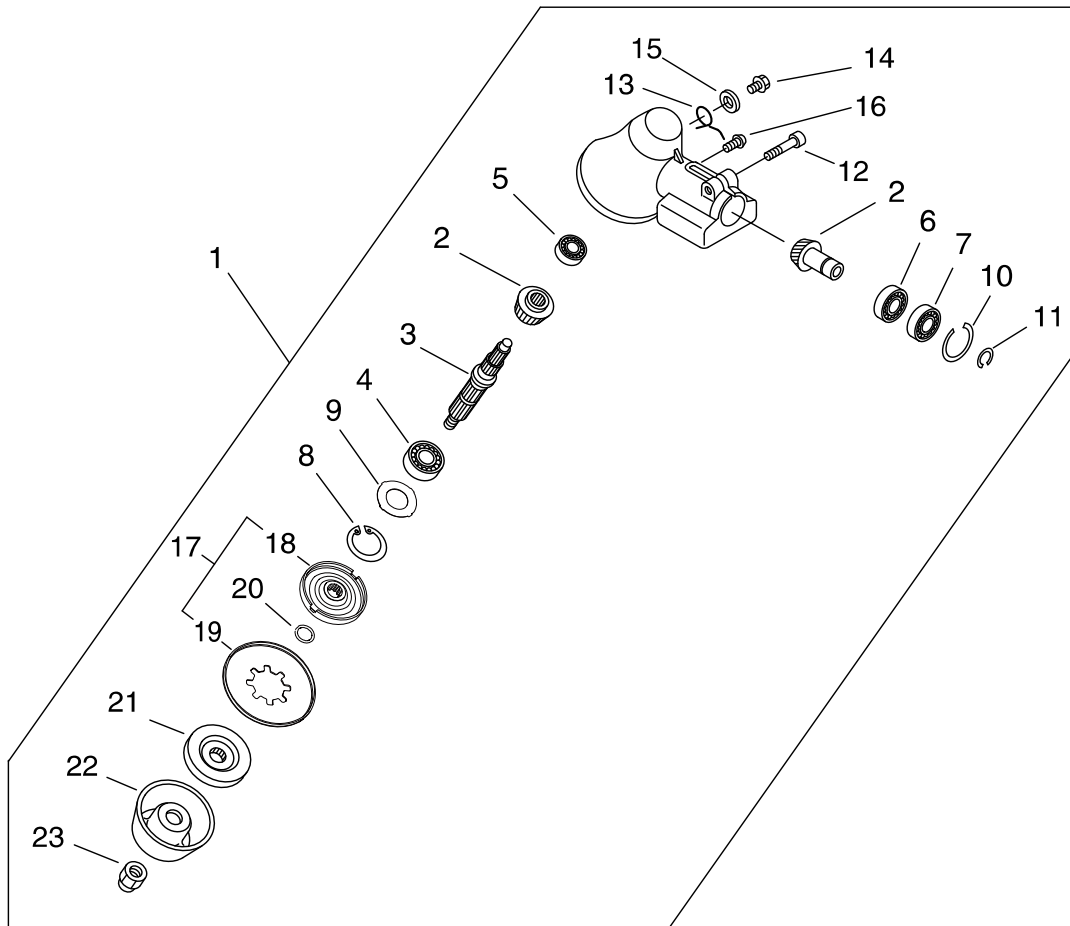
**PAS ATTACHMENT**

**999442-00800**

**CE**

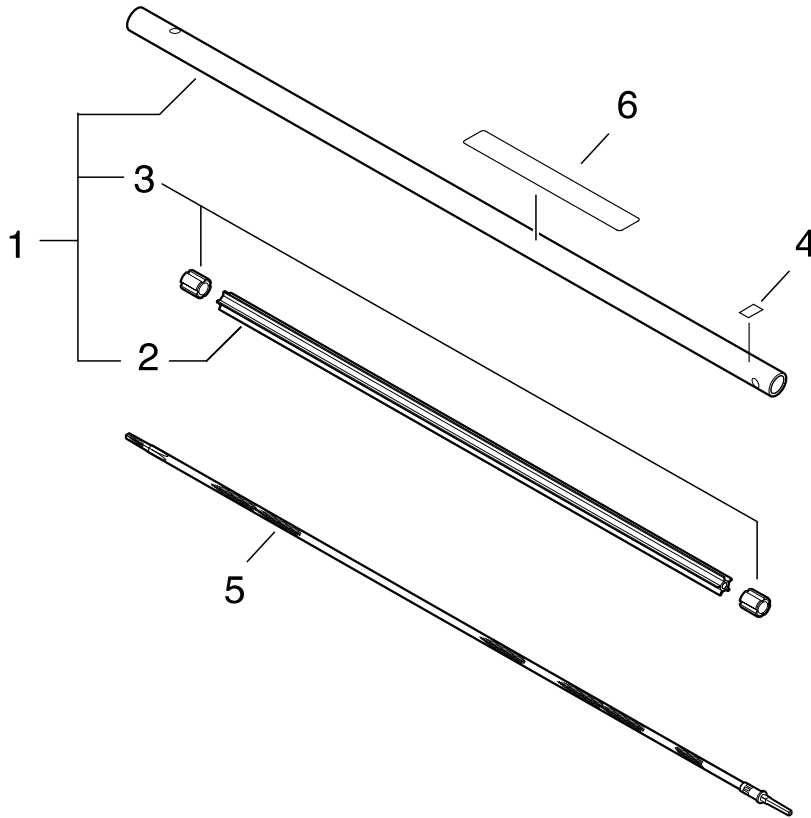
P014-001730-11Mb

# 999442-00800 1 GEAR CASE



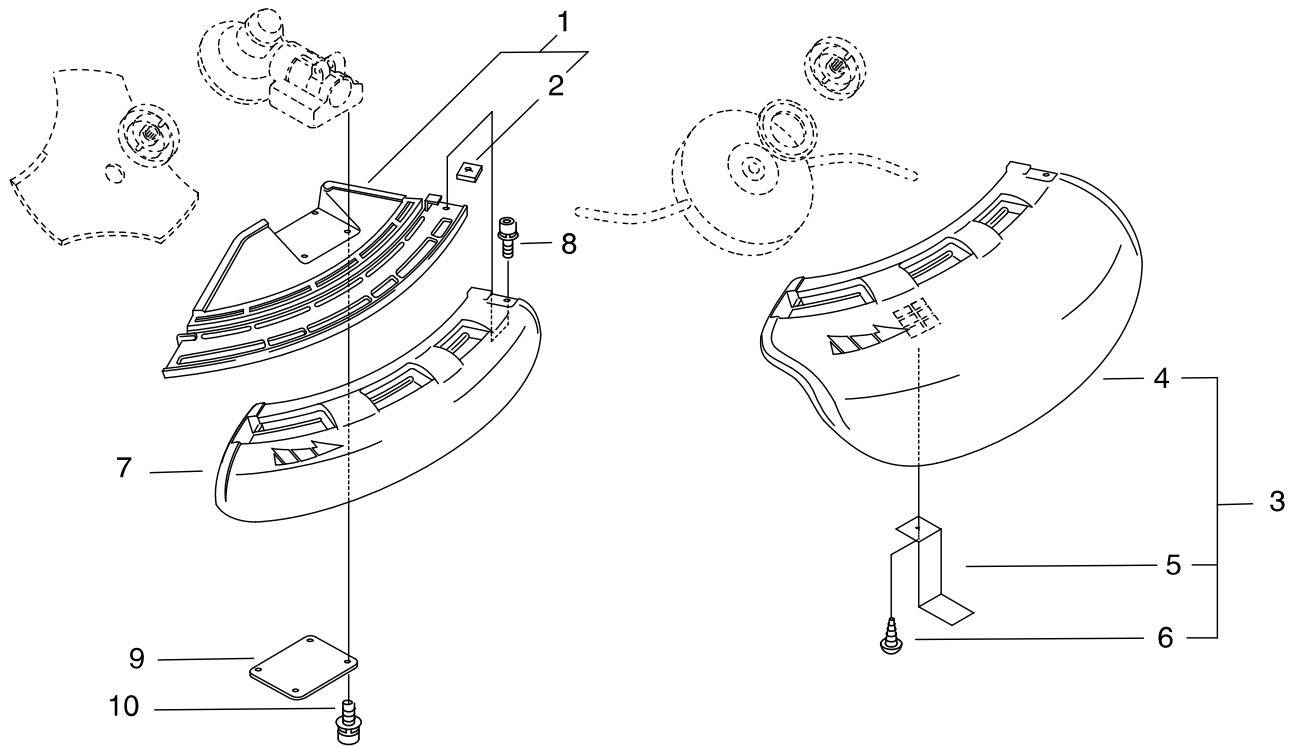
KEY	LV	PART NUMBER	Q'TY	DESCRIPTION	REMARKS
1		P021-005782	1	HOUSING ASY,GEAR	
2	+	610300-42330	1	GEAR SET	
3	+	610310-56830	1	SHAFT, P.T.O.	
4	+	900812-06201	1	BEARING, BALL 6201	
5	+	900810-00626	1	BEARING, BALL 626	
6	+	900855-06900	1	BEARING, BALL 6900	
7	+	900858-06900	1	BEARING, BALL 6900Z	
8	+	900702-00032	1	CIRCLIP 32	
9	+	610444-56830	1	WASHER	
10	+	900702-00022	1	CIRCLIP 22	
11	+	900706-00010	1	CIRCLIP 10	
12	+	91118-06025	1	BOLT	
13	+	610473-52131	1	SPRING	
14	+	610434-50031	1	BOLT 8* 8	
15	+	900603-50008	1	WASHER	
16	+	900242-05010	1	SCREW 5*10	
17	+	610313-52932	1	FIXTURE,BLADE	
18	++	610313-52132	1	FIXTURE,BLADE	
19	++	610352-56830	1	PLATE, CUP	
20	+	900720-00012	1	O-RING 12	
21	+	610314-52130	1	PLATE, ADAPTER (L)	
22	+	699229-56830	1	PLATE, COVER	
23	+	610320-52130	1	NUT 10	

# 999442-00800 2 MAIN PIPE



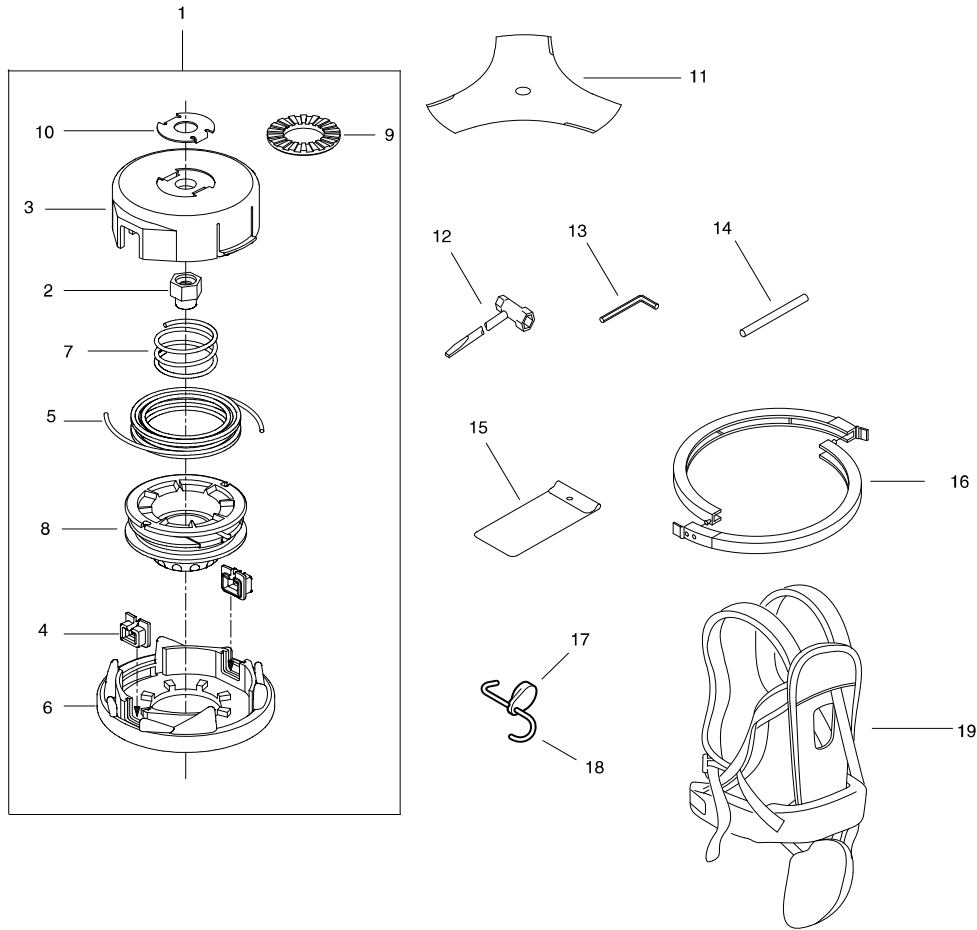
KEY	LV	PART NUMBER	Q'TY	DESCRIPTION	REMARKS
1		C050-001000	1	PIPE, MAIN	
2	+	610217-52630	1	LINER, FLEXIBLE	
3	+	610246-44730	2	STOPPER	
4		890152-04930	1	LABEL, CAUTION	
5		C506-000002	1	SHAFT, FLEXIBLE	
6		890617-43130	1	LABEL, CAUTION	

# 999442-00800 3 SHIELD



KEY	LV	PART NUMBER	Q'TY	DESCRIPTION	REMARKS
1		C550-000100	1	SHIELD,BLADE	
2	+	900565-00005	1	NUT	
3		P021-013770	1	SHIELD KIT	
4	+	C550-000080	1	SHIELD,BLADE	
5	+	C554-000030	1	KNIFE, CORD	
6	+	900252-05012	1	SCREW 5*12	
7		C550-000090	1	SHIELD,BLADE	
8		91118-05018	1	BOLT	
9		699013-56830	1	PLATE, SHIELD	
10		91118-05025	4	BOLT	

# 999442-00800 4 ACCESSORIES



KEY	LV	PART NUMBER	Q'TY	DESCRIPTION	REMARKS
1		X047-000270	1	CUTTER,ASM LINE	
2	+	P022-001220	1	NUT	
3	+	P022-003310	1	HOUSING	
4	+	P022-000710	2	EYELET	
5	+	P022-006190	1	NYLON CODE	
6	+	P022-003330	1	COVER	
7	+	P022-001250	1	SPRING	
8	+	P022-001260	1	BOBBIN	
9	+	V332-000000	1	WASHER,CIRCULAR 24	
10	+	P022-032240	1	TOP PLATE	
11		X405-000011	1	SAW,BUSH CUTTER	
12		X602-000020	1	TOOL,WRENCH	
13		895610-00130	1	L-WRENCH (4MM)	
14		X606-000080	1	TOOL,BAR	
15		898510-07130	1	BAG, TOOL	
16		P021-007470	1	SCABBARD,BLADE	
17		C525-000010	1	CAP,MAIN PIPE	
18		C649-000120	1	HOOK	
19		C062-000280	1	HARNESS, SHOULDER	

**Index**

<b>Patrs Number</b>	<b>Key No.</b>	<b>Patrs Number</b>	<b>Key No.</b>	<b>Patrs Number</b>	<b>Key No.</b>
P021-005782	1 - 1				
610300-42330	1 - 2				
610310-56830	1 - 3				
900812-06201	1 - 4				
900810-00626	1 - 5				
900855-06900	1 - 6				
900858-06900	1 - 7				
900702-00032	1 - 8				
610444-56830	1 - 9				
900702-00022	1 - 10				
900706-00010	1 - 11				
91118-06025	1 - 12				
610473-52131	1 - 13				
610434-50031	1 - 14				
900603-50008	1 - 15				
900242-05010	1 - 16				
610313-52932	1 - 17				
610313-52132	1 - 18				
610352-56830	1 - 19				
900720-00012	1 - 20				
610314-52130	1 - 21				
699229-56830	1 - 22				
610320-52130	1 - 23				
C050-001000	2 - 1				
610217-52630	2 - 2				
610246-44730	2 - 3				
890152-04930	2 - 4				
C506-000002	2 - 5				
890617-43130	2 - 6				
C550-000100	3 - 1				
900565-00005	3 - 2				
P021-013770	3 - 3				
C550-000080	3 - 4				
C554-000030	3 - 5				
900252-05012	3 - 6				
C550-000090	3 - 7				
91118-05018	3 - 8				
699013-56830	3 - 9				
91118-05025	3 - 10				
X047-000270	4 - 1				
P022-001220	4 - 2				
P022-003310	4 - 3				
P022-000710	4 - 4				
P022-006190	4 - 5				
P022-003330	4 - 6				
P022-001250	4 - 7				
P022-001260	4 - 8				
V332-000000	4 - 9				

# YAMABIKO CORPORATION

7-2 SUEHIROCHO 1-CHOME, OHME, TOKYO 198-8760, JAPAN  
PHONE: 81-428-32-6118. FAX: 81-428-32-6145.

