

# SRM-3611T/U

Serial Number

38000001-38999999

Last updated date

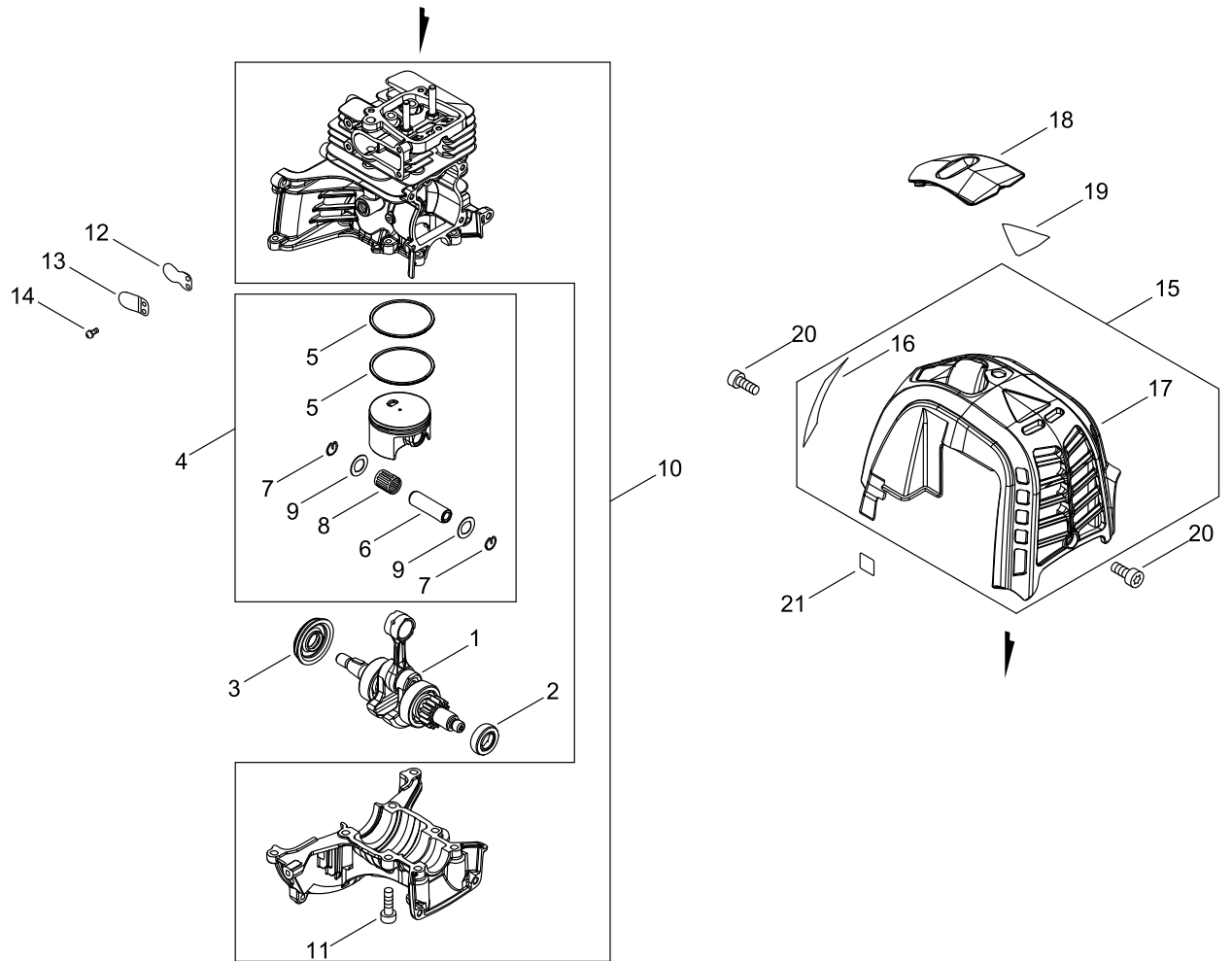
26/Dec/2020

## TABLE OF CONTENTS

---

|                                    |    |
|------------------------------------|----|
| CYLINDER, PISTON, CRANKSHAFT ..... | 1  |
| VALVE, CAM .....                   | 3  |
| MAGNETO.....                       | 5  |
| CLUTCH.....                        | 7  |
| AIR CLEANER, CARBURETOR.....       | 9  |
| CARBURETOR.....                    | 11 |
| FUEL TANK .....                    | 13 |
| MUFFLER.....                       | 15 |
| RECOIL STARTER, PULLY .....        | 17 |
| GEAR CASE, SHIELD .....            | 19 |
| MAIN PIPE, HANDLE.....             | 21 |
| THROTTLE.....                      | 23 |
| ACCESSORIES .....                  | 25 |

# CYLINDER, PISTON, CRANKSHAFT



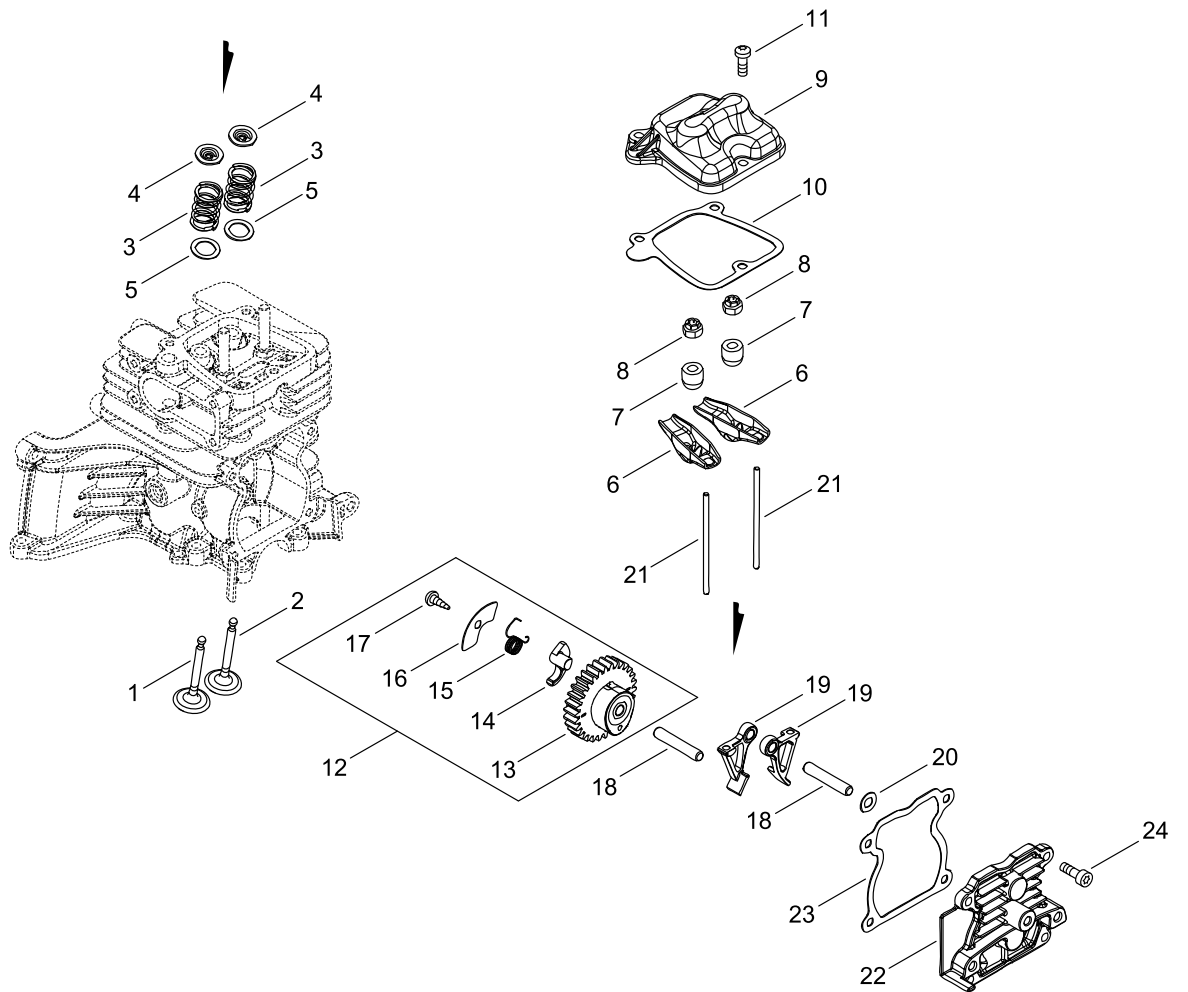
## CYLINDER, PISTON, CRANKSHAFT

| Key No. | LV (+) | Parts Number | Parts Description  | Qty | Standard       | Class |
|---------|--------|--------------|--------------------|-----|----------------|-------|
| 1       |        | A011-001530  | CRANKSHAFT,ASY     | 1   |                | D     |
| 2       |        | V505-000020  | SEAL,OIL 12        | 1   | 12*22*7        | C     |
| 3       |        | V505-000011  | SEAL,OIL 12        | 1   | 12*32*5.5      | C     |
| 4       |        | P100-004740  | PISTON KIT         | 1   |                |       |
| 5       | +      | A101-000730  | RING, PISTON       | 2   |                | B     |
| 6       | +      | V608-000000  | PIN,ENG 10         | 1   |                | D     |
| 7       | +      | V580-000010  | RING,END           | 2   | 10             | C     |
| 8       | +      | V555-000010  | BEARING,NEEDLE 10  | 1   |                | B     |
| 9       | +      | V307-000580  | WASHER,CIRCULAR 10 | 2   | 10.2*16*0.5    | C     |
| 10      |        | P100-004730  | CYL. CRANKCASE SET | 1   |                |       |
| 11      | +      | V805-000250  | BOLT, TORX 5       | 8   | TB-5*16 12.9   | C     |
| 12      |        | A211-000021  | VALVE, REED        | 1   |                | C     |
| 13      |        | A212-000021  | GUIDE, VALVE       | 1   |                | C     |
| 14      |        | 91341-03006  | SCREW              | 2   | 3*6            |       |
| 15      |        | A160-003390  | COVER,CYLINDER     | 1   |                | C     |
| 16      | +      | X502-000390  | LABEL,ECHO         | 1   | ECHO 72.5*15   | D     |
| 17      | +      | A160-003410  | COVER,CYLINDER     | 1   |                | C     |
| 18      |        | A429-000220  | COVER,CAP          | 1   |                | C     |
| 19      |        | X530-000590  | LABEL,EYE CATCHER  | 1   | X SERIES 3610T | D     |
| 20      |        | V805-000140  | BOLT, TORX 5       | 3   | TB-5*12 10.9   | C     |
| 21      |        | X524-001901  | LABEL              | 1   |                | D     |

Class : Consumable class

A:Fast moving parts B:Semi-fast moving parts C:Slow moving parts D:Order only as needed

# VALVE, CAM



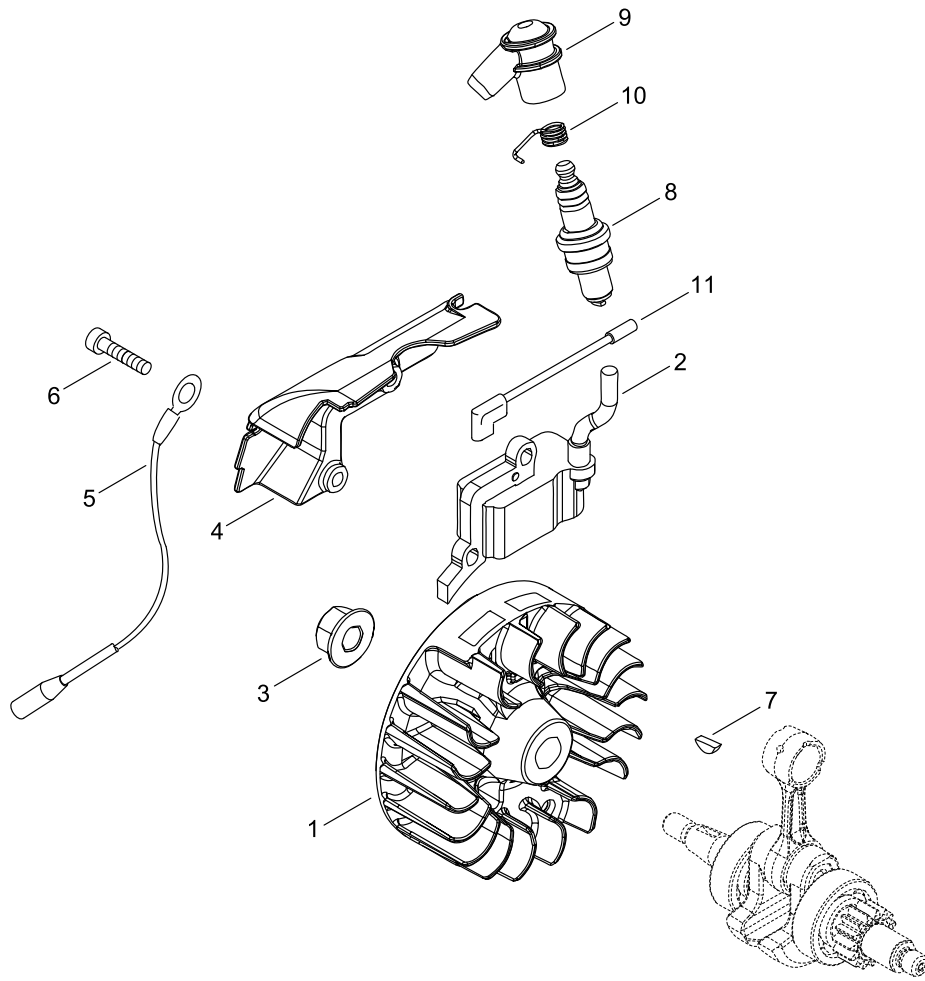
## VALVE, CAM

| Key No. | LV (+) | Parts Number | Parts Description | Qty | Standard     | Class |
|---------|--------|--------------|-------------------|-----|--------------|-------|
| 1       |        | A603-000090  | VALVE             | 1   |              | D     |
| 2       |        | A603-000100  | VALVE             | 1   |              | D     |
| 3       |        | A604-000030  | SPRING,VALVE      | 2   |              | D     |
| 4       |        | A606-000040  | RETAINER          | 2   |              | D     |
| 5       |        | V392-000030  | PLATE             | 2   |              | C     |
| 6       |        | A610-000090  | ARM,ROCKER        | 2   |              | D     |
| 7       |        | V353-000720  | COLLAR,5          | 2   |              | C     |
| 8       |        | V263-000500  | NUT,5             | 2   | M5X0.8       | C     |
| 9       |        | A137-000040  | COVER,ROCKER ARM  | 1   |              | C     |
| 10      |        | V109-000340  | GASKET            | 1   |              | A     |
| 11      |        | V202-000850  | BOLT,4            | 3   | T20          |       |
| 12      |        | P100-004750  | CAM GEAR ASY      | 1   |              |       |
| 13      | +      | A622-000020  | GEAR,CAM          | 1   |              | C     |
| 14      | +      | A146-000020  | WEIGHT,DECOMP     | 1   |              | C     |
| 15      | +      | V452-001800  | SPRING,TORSION    | 1   |              | B     |
| 16      | +      | C603-000240  | PLATE             | 1   |              | C     |
| 17      | +      | V252-000930  | SCREW,4           | 1   | 4XL6         | C     |
| 18      |        | 900330-50280 | ROLLER            | 2   | 5*28         |       |
| 19      |        | A600-000020  | LIFTER            | 2   |              | D     |
| 20      |        | V303-000220  | WASHER            | 1   | T0.3         | C     |
| 21      |        | A607-000030  | ROD,PUSH          | 2   |              | C     |
| 22      |        | P100-004760  | COVER,CAM GEAR    | 1   |              |       |
| 23      |        | V109-000040  | GASKET            | 1   |              | A     |
| 24      |        | V804-000050  | BOLT, TORX 4      | 4   | TB-4*12 10.9 | C     |

Class : Consumable class

A:Fast moving parts B:Semi-fast moving parts C:Slow moving parts D:Order only as needed

# MAGNETO



## MAGNETO

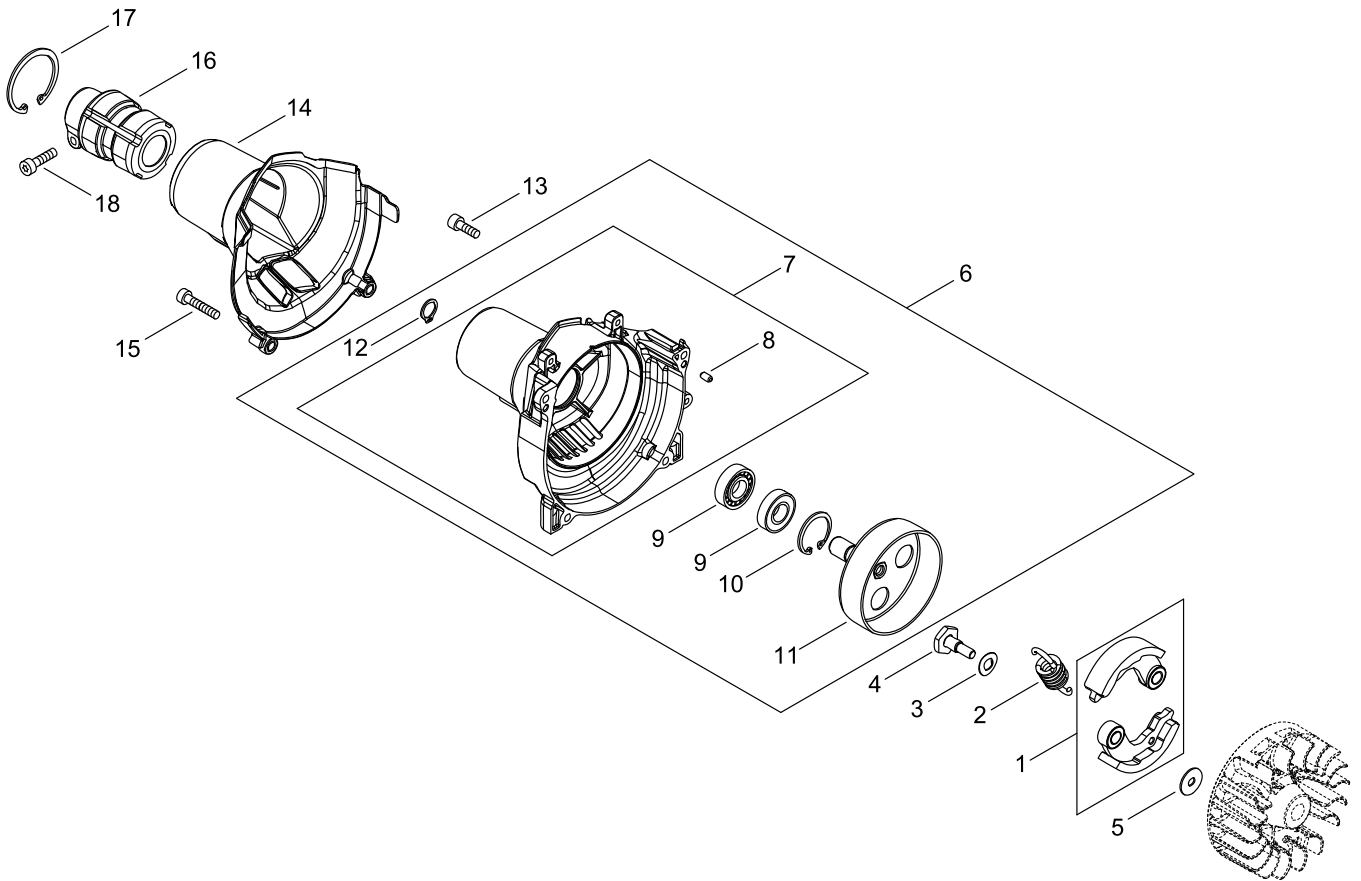
| Key No. | LV (+) | Parts Number | Parts Description  | Qty | Standard         | Class |
|---------|--------|--------------|--------------------|-----|------------------|-------|
| 1       |        | A409-001340  | ROTOR, MAGNETO     | 1   | ID#R10033        | C     |
| 2       |        | A411-001770  | COIL, IGNITION     | 1   | ID#A10065        | C     |
| 3       |        | 900515-00008 | NUT, FLANGE        | 1   | 8                |       |
| 4       |        | E106-000240  | GUIDE,AIR          | 1   |                  | C     |
| 5       |        | V485-003020  | LEAD               | 1   | L275 LA105/CB104 | C     |
| 6       |        | V203-002400  | BOLT,5             | 2   | 5*20-12.9        | C     |
| 7       |        | 93115-03010  | KEY, WOODRUFF      | 1   | 3*10             |       |
| 8       |        | A425-000040  | SPARKPLUG          | 1   | NGK CMR5H        | A     |
| 9       |        | A427-000190  | CAP,SPARK PLUG     | 1   |                  | C     |
| 10      |        | A426-000010  | TERMINAL,SPARKPLUG | 1   |                  | C     |
| 11      |        | V485-003010  | LEAD               | 1   | L265 CB104       | C     |

Class : Consumable class

A:Fast moving parts B:Semi-fast moving parts C:Slow moving parts D:Order only as needed



# CLUTCH



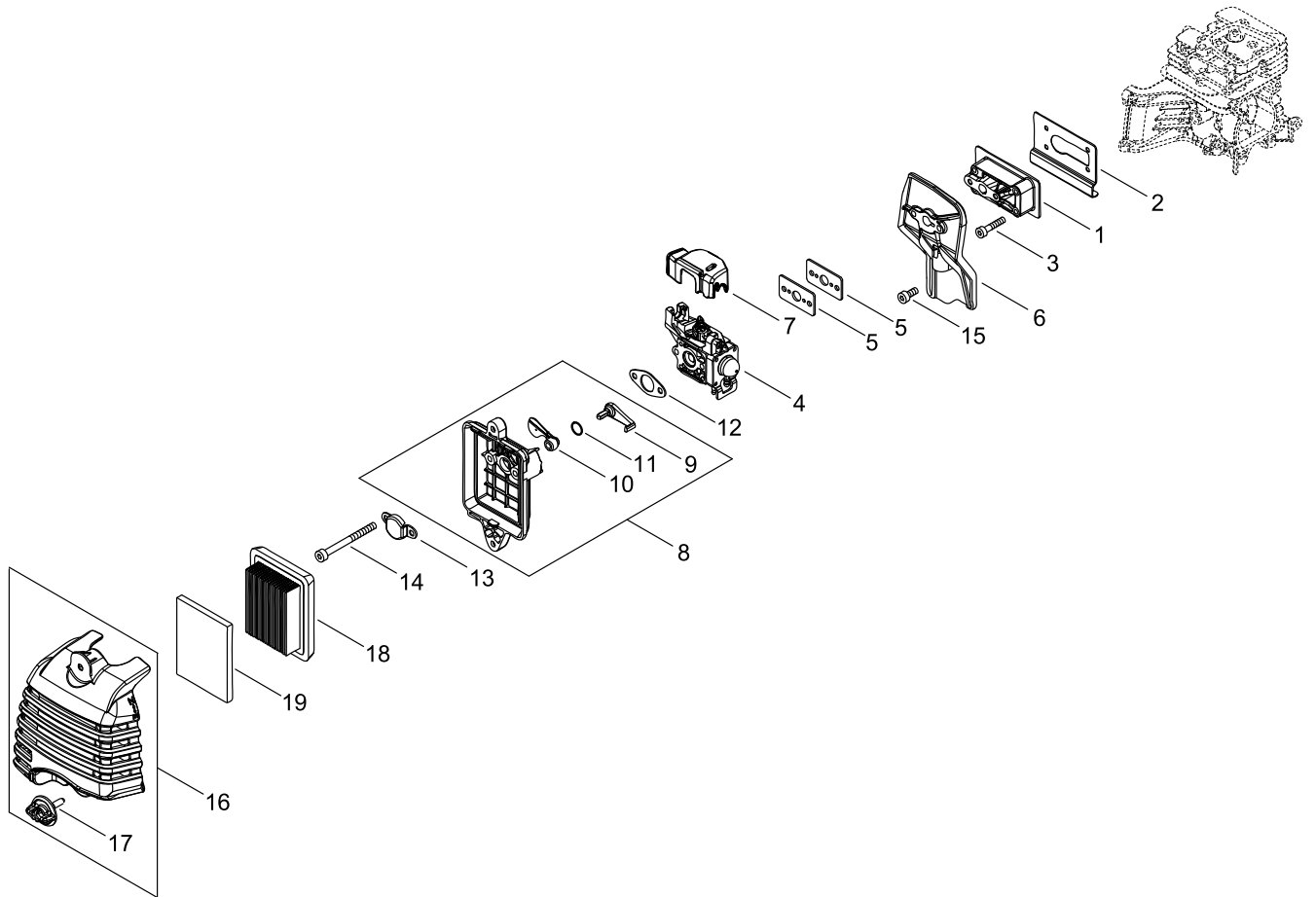
## CLUTCH

| Key No. | LV (+) | Parts Number | Parts Description        | Qty | Standard     | Class |
|---------|--------|--------------|--------------------------|-----|--------------|-------|
| 1       |        | P021-046970  | CLUTCH SHOE SET          | 1   |              |       |
| 2       |        | A566-000320  | SPRING, CLUTCH           | 1   | 3.2 311N     | B     |
| 3       |        | 175049-56030 | WASHER                   | 2   | 8.5*16*0.5   | C     |
| 4       |        | A557-000150  | SHAFT, CLUTCH            | 2   |              | B     |
| 5       |        | 175048-05530 | WASHER (I)               | 2   | 6.2*19*1.0   | C     |
| 6       |        | P100-004780  | COVER ASY, FAN           | 1   |              |       |
| 7       | +      | P100-010620  | COVER,FAN                | 1   |              |       |
| 8       | ++     | 900330-40080 | ROLLER                   | 2   | 4*8          |       |
| 9       | +      | 94018-46001  | BEARING, BALL            | 2   | 6001LB       |       |
| 10      | +      | 92419-28000  | RETAINING RING, INTERNAL | 1   | IRTW-28      |       |
| 11      | +      | A556-001810  | DRUM, CLUTCH             | 1   |              | B     |
| 12      | +      | 900701-00012 | RETAINING RING, EXTERNAL | 1   | CS-12        |       |
| 13      |        | V805-000150  | BOLT, TORX 5             | 2   | TB-5*16 10.9 | C     |
| 14      |        | A413-000100  | BOOT                     | 1   |              | C     |
| 15      |        | V805-000170  | BOLT, TORX 5             | 2   | TB-5*25 10.9 | C     |
| 16      |        | A575-000640  | FIXTURE, MAIN PIPE       | 1   |              | C     |
| 17      |        | 92424-42000  | RETAINING RING, INTERNAL | 1   | CR-42        |       |
| 18      |        | V805-000170  | BOLT, TORX 5             | 1   | TB-5*25 10.9 | C     |

Class : Consumable class

A:Fast moving parts B:Semi-fast moving parts C:Slow moving parts D:Order only as needed

# AIR CLEANER, CARBURETOR



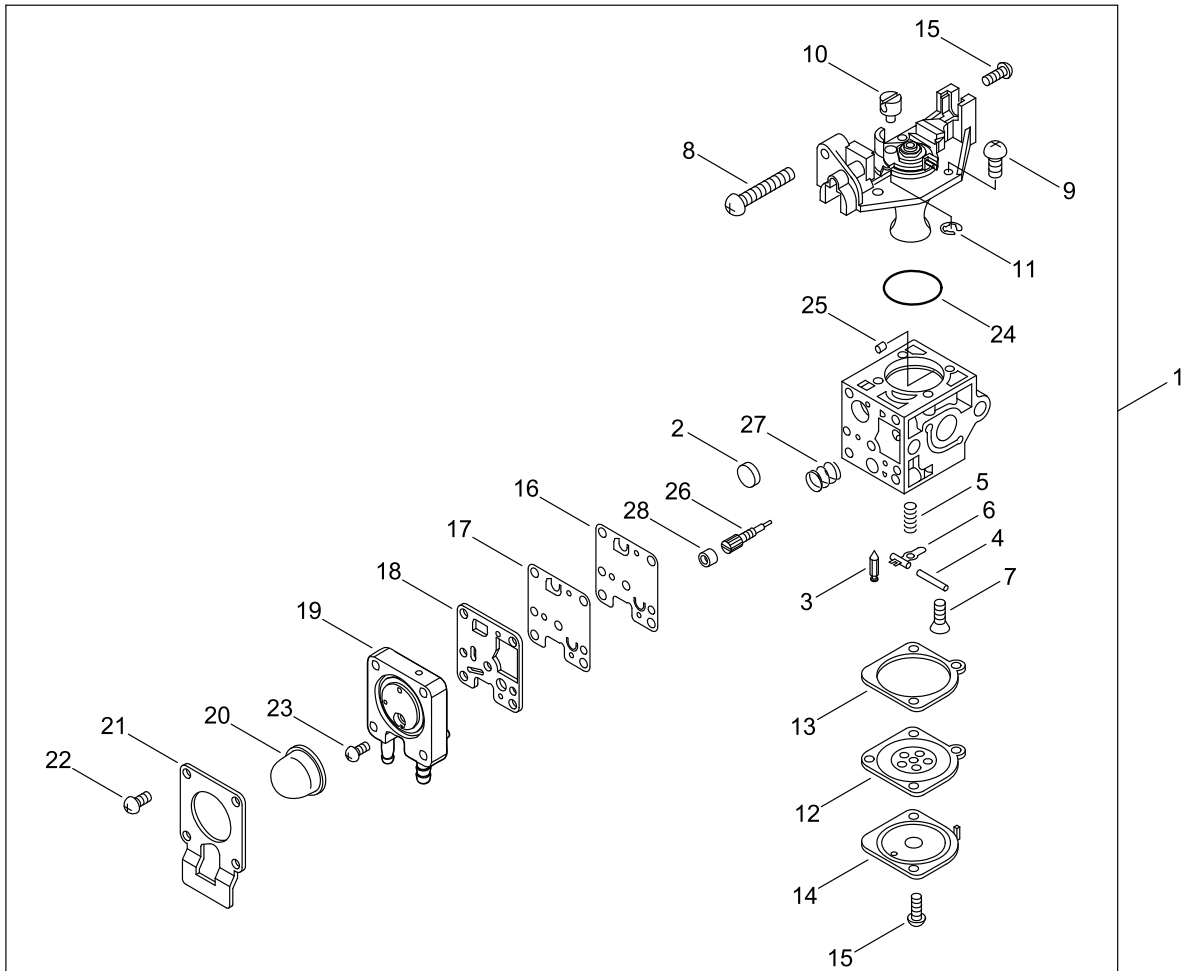
## AIR CLEANER, CARBURETOR

| Key No. | LV (+) | Parts Number | Parts Description    | Qty | Standard         | Class |
|---------|--------|--------------|----------------------|-----|------------------|-------|
| 1       |        | A200-001190  | INSULATOR, INTAKE    | 1   |                  | C     |
| 2       |        | V103-001980  | GASKET,INTAKE        | 1   |                  | A     |
| 3       |        | V804-000120  | BOLT, TORX 4         | 4   | TB-4*25 10.9     | C     |
| 4       |        | A021-004820  | CARBURETOR,DIAPHRAGM | 1   | IDYZ0004 110137A | B     |
| 5       |        | V103-001990  | GASKET,INTAKE        | 2   |                  | A     |
| 6       |        | A209-001070  | PLATE, INSULATOR     | 1   |                  | C     |
| 7       |        | A127-000440  | COVER,DUST           | 1   |                  | C     |
| 8       |        | A023-000360  | CASE,CLEANER         | 1   |                  | C     |
| 9       | +      | A242-000280  | LEVER, CHOKE         | 1   |                  | C     |
| 10      | +      | A243-000380  | SHUTTER, CHOKE       | 1   |                  | C     |
| 11      | +      | V581-000790  | RING,O               | 1   |                  | A     |
| 12      |        | V103-001970  | GASKET,INTAKE        | 1   |                  | A     |
| 13      |        | A244-000330  | PLATE, PREVENT       | 1   |                  | C     |
| 14      |        | V805-000100  | BOLT, TORX 5         | 2   | TB-5*65 10.9     | C     |
| 15      |        | V805-000140  | BOLT, TORX 5         | 1   | TB-5*12 10.9     | C     |
| 16      |        | P100-004790  | CLEANER COVER ASY    | 1   |                  |       |
| 17      | +      | A235-000450  | KNOB,CLEANER LID     | 2   |                  | C     |
| 18      |        | A226-000361  | ELEMENT, AIR FILTER  | 1   | AFP-2010K-300    | A     |
| 19      |        | A226-002200  | ELEMENT, AIR FILTER  | 1   |                  | A     |

Class : Consumable class

A:Fast moving parts B:Semi-fast moving parts C:Slow moving parts D:Order only as needed

# CARBURETOR



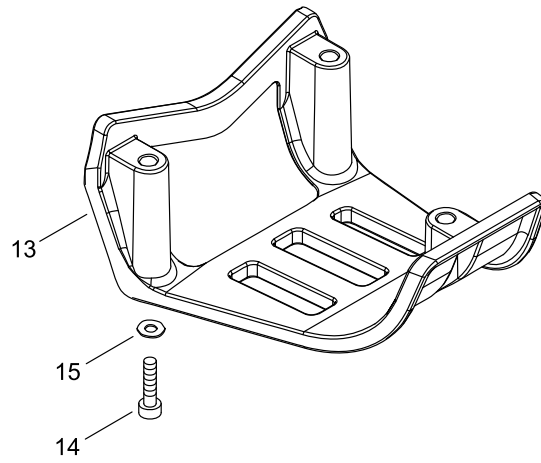
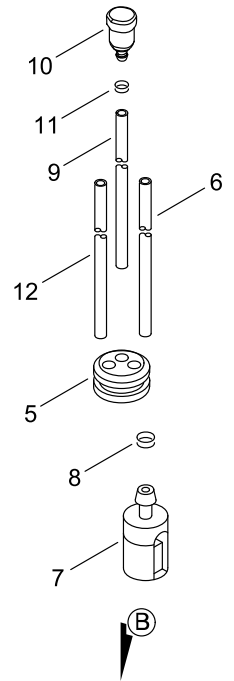
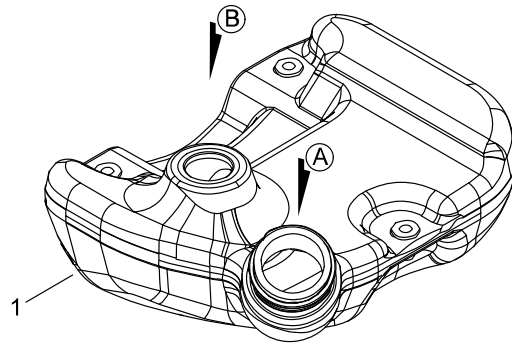
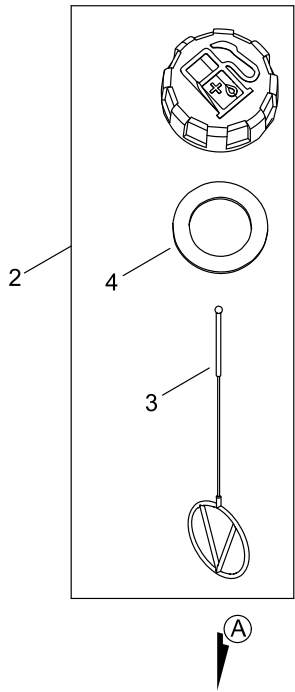
## CARBURETOR

| Key No. | LV (+) | Parts Number | Parts Description    | Qty | Standard         | Class |
|---------|--------|--------------|----------------------|-----|------------------|-------|
| 1       |        | A021-004820  | CARBURETOR,DIAPHRAGM | 1   | IDYZ0004 110137A | B     |
| 2       | +      | P005-000010  | STRAINER             | 1   |                  |       |
| 3       | +      | 125337-08260 | VALVE, INLET NEEDLE  | 1   |                  |       |
| 4       | +      | 125338-13930 | PIN, METERING ARM    | 1   |                  |       |
| 5       | +      | 125322-13930 | SPRING, COIL         | 1   |                  |       |
| 6       | +      | 125323-08260 | ARM, VALVE           | 1   |                  |       |
| 7       | +      | 125339-42030 | SCREW                | 1   |                  |       |
| 8       | +      | P005-000100  | SCREW,THROTTLEADJUST | 1   |                  |       |
| 9       | +      | 125344-13931 | SCREW                | 3   |                  |       |
| 10      | +      | P005-001240  | POST                 | 1   |                  |       |
| 11      | +      | P005-000190  | E-RING               | 1   |                  |       |
| 12      | +      | P005-003760  | DIAPHRAGM ,METERING  | 1   |                  |       |
| 13      | +      | P005-000200  | GASKET, METERING     | 1   |                  | A     |
| 14      | +      | 125342-52130 | COVER, DIAPHRAGM     | 1   |                  |       |
| 15      | +      | 125344-52130 | SCREW                | 3   |                  |       |
| 16      | +      | P005-003930  | DIAPHRAGM, PUMP      | 1   |                  |       |
| 17      | +      | P005-003940  | DIAPHRAGM, PUMP      | 1   |                  |       |
| 18      | +      | P005-000520  | GASKET, PUMP         | 1   |                  | A     |
| 19      | +      | P005-004240  | BASE, ASY PRIMER     | 1   |                  |       |
| 20      | +      | P005-003110  | PUMP, PRIMER         | 1   |                  |       |
| 21      | +      | P005-000250  | RETAINER             | 1   |                  |       |
| 22      | +      | P005-001900  | SCREW                | 4   |                  |       |
| 23      | +      | P005-000270  | SCREW                | 1   |                  |       |
| 24      | +      | P005-000280  | O-RING               | 1   |                  |       |
| 25      | +      | P005-001000  | ROLLER, GUIDE        | 1   |                  |       |
| 26      | +      | P005-003950  | SCREW,MAIN MIXTURE   | 1   |                  |       |
| 27      | +      | P005-003960  | SPRING, PUMP         | 1   |                  |       |
| 28      | +      | P005-001270  | PLUG, AJUST SCREW    | 1   |                  |       |

Class : Consumable class

A:Fast moving parts B:Semi-fast moving parts C:Slow moving parts D:Order only as needed

# FUEL TANK



## FUEL TANK

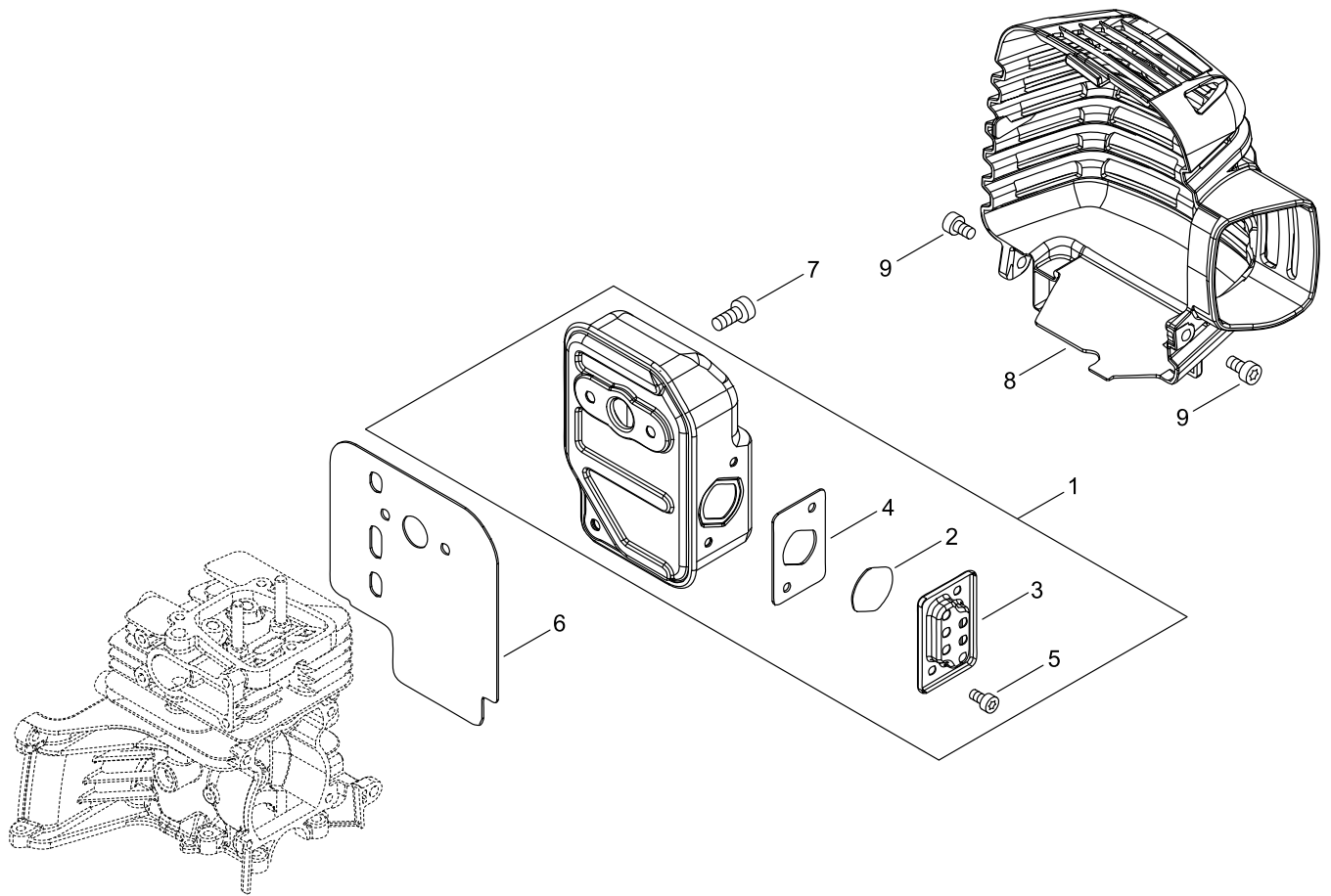
| Key No. | LV (+) | Parts Number | Parts Description | Qty | Standard     | Class |
|---------|--------|--------------|-------------------|-----|--------------|-------|
| 1       |        | A350-002460  | TANK, FUEL        | 1   |              | C     |
| 2       |        | P021-012211  | CAP,FUEL ASY      | 1   |              |       |
| 3       | +      | A365-000060  | CONNECTOR,CAP     | 1   | L=123        | B     |
| 4       | +      | V107-000190  | GASKET,FUEL CAP   | 1   | 37.9* T 2.2  | A     |
| 5       |        | 132115-55931 | GROMMET, FUEL     | 1   | 3 φ5         | C     |
| 6       |        | V471-004171  | PIPE              | 1   | 3*5*235      | C     |
| 7       |        | A369-000420  | STRAINER, FUEL    | 1   | ES-16499     | A     |
| 8       |        | V490-000500  | CLIP              | 1   |              | C     |
| 9       |        | V471-001501  | PIPE              | 1   | 3*6*80       | C     |
| 10      |        | A356-000050  | VALVE,CHECK       | 1   |              | B     |
| 11      |        | V490-000500  | CLIP              | 1   |              | C     |
| 12      |        | V471-005290  | PIPE              | 1   | 3*6*130      | C     |
| 13      |        | A175-000390  | STAND             | 1   |              | C     |
| 14      |        | V805-000170  | BOLT, TORX 5      | 3   | TB-5*25 10.9 | C     |
| 15      |        | 900603-00005 | WASHER            | 3   | 5            |       |

Class : Consumable class

A:Fast moving parts B:Semi-fast moving parts C:Slow moving parts D:Order only as needed



# MUFFLER



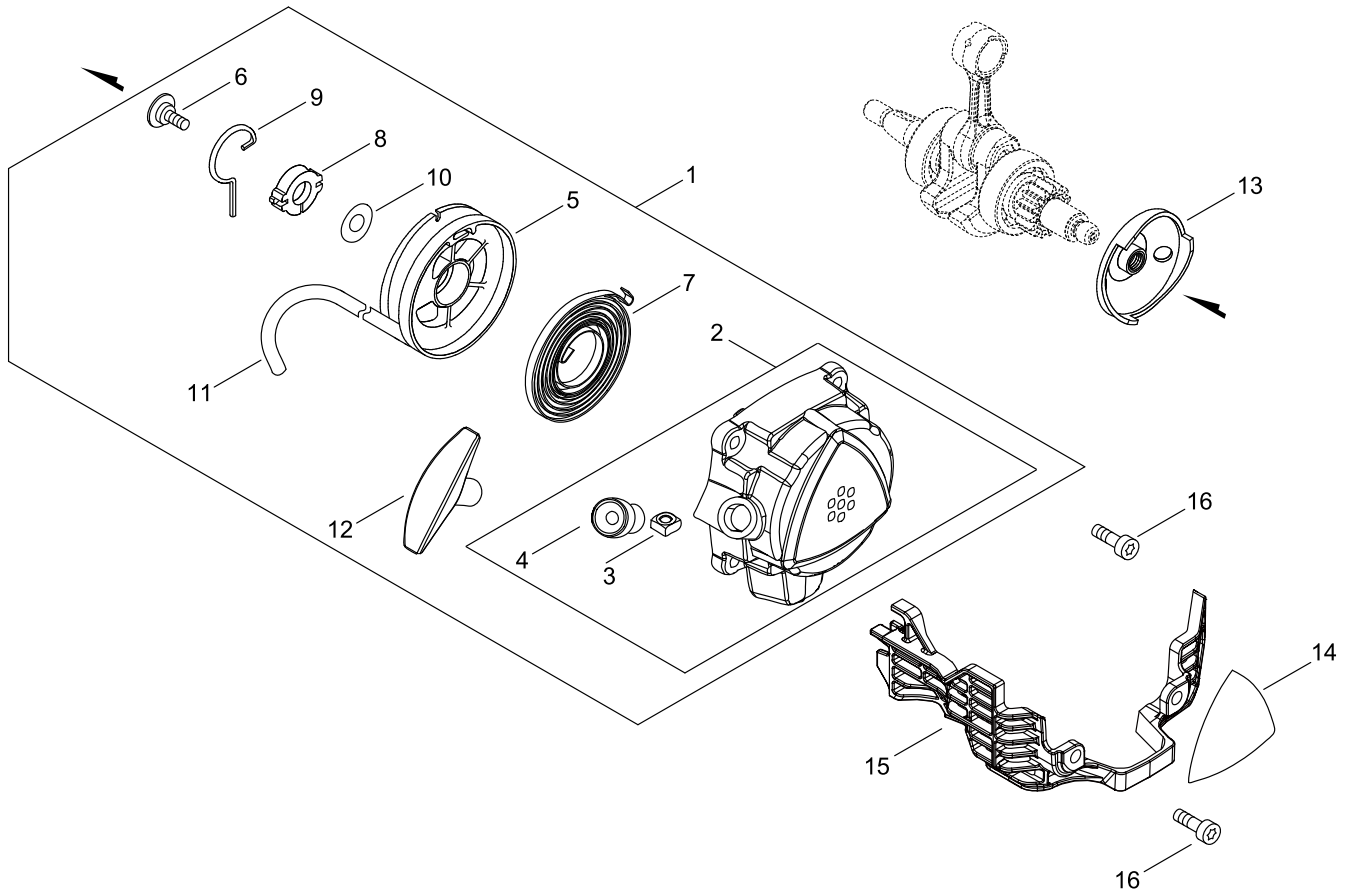
## MUFFLER

| Key No. | LV (+) | Parts Number | Parts Description | Qty | Standard     | Class |
|---------|--------|--------------|-------------------|-----|--------------|-------|
| 1       |        | P100-004810  | MUFFLER ASY       | 1   |              |       |
| 2       | +      | A310-000520  | SCREEN, ARRESTOR  | 1   |              | B     |
| 3       | +      | A313-002070  | GUIDE, EXHAUST    | 1   | ID#2240      | C     |
| 4       | +      | V104-002360  | GASKET,EXHAUST    | 1   |              | A     |
| 5       | +      | V804-000030  | BOLT, TORX 4      | 2   | TB-4*8 10.9  | C     |
| 6       |        | V104-002370  | GASKET,EXHAUST    | 1   | T1.0         | A     |
| 7       |        | V805-000250  | BOLT, TORX 5      | 3   | TB-5*16 12.9 | C     |
| 8       |        | A320-001280  | COVER,MUFFLER     | 1   |              | C     |
| 9       |        | V805-000140  | BOLT, TORX 5      | 2   | TB-5*12 10.9 | C     |

Class : Consumable class

A:Fast moving parts B:Semi-fast moving parts C:Slow moving parts D:Order only as needed

# RECOIL STARTER, PULLY



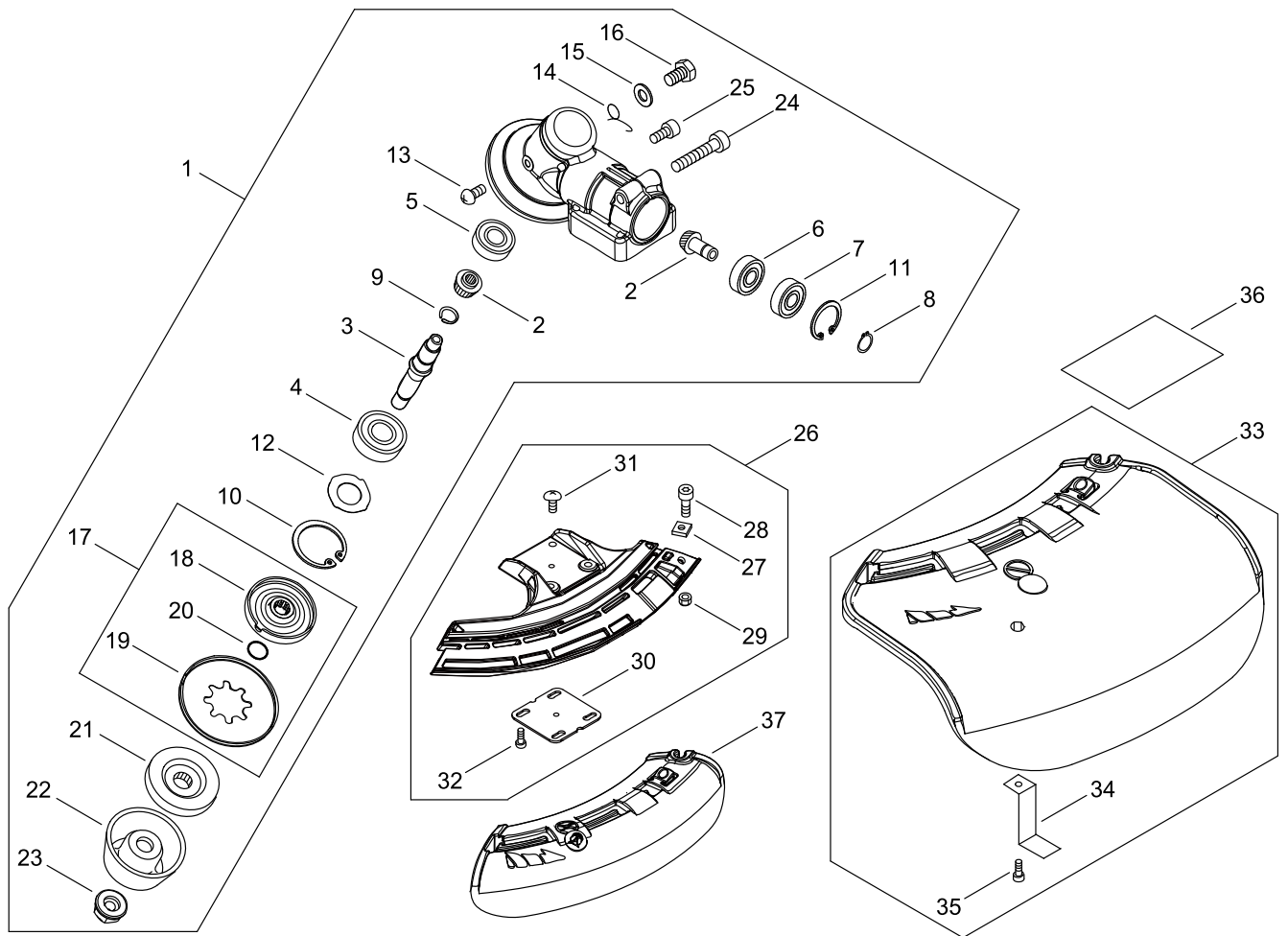
## RECOIL STARTER, PULLY

| Key No. | LV (+) | Parts Number | Parts Description  | Qty | Standard       | Class |
|---------|--------|--------------|--------------------|-----|----------------|-------|
| 1       |        | A051-003330  | STARTER,RECOIL ASY | 1   |                | B     |
| 2       | +      | P022-059510  | CASE, STARTER      | 1   |                |       |
| 3       | ++     | P022-022010  | NUT                | 1   |                |       |
| 4       | ++     | P022-045770  | GUIDE, ROPE        | 1   |                |       |
| 5       | +      | P022-049770  | DRUM, STARTER      | 1   |                |       |
| 6       | +      | 177236-61830 | SCREW              | 1   |                |       |
| 7       | +      | 177220-42030 | SPRING, REWIND     | 1   |                |       |
| 8       | +      | P022-049780  | COLLAR             | 1   |                |       |
| 9       | +      | P022-049790  | SWING ARM          | 1   |                |       |
| 10      | +      | 177214-41030 | WASHER             | 1   |                |       |
| 11      | +      | P022-049800  | ROPE, STARTER      | 1   |                |       |
| 12      | +      | 177228-44330 | GRIP, STARTER      | 1   |                |       |
| 13      |        | A052-000300  | STARTER PULLEY     | 1   |                | C     |
| 14      |        | X547-003720  | LABEL,ECHO         | 1   | ECHO+SRM-3611T |       |
| 15      |        | A127-000600  | COVER,DUST         | 1   |                |       |
| 16      |        | V805-000150  | BOLT, TORX 5       | 4   | TB-5*16 10.9   | C     |

Class : Consumable class

A:Fast moving parts B:Semi-fast moving parts C:Slow moving parts D:Order only as needed

# GEAR CASE, SHIELD



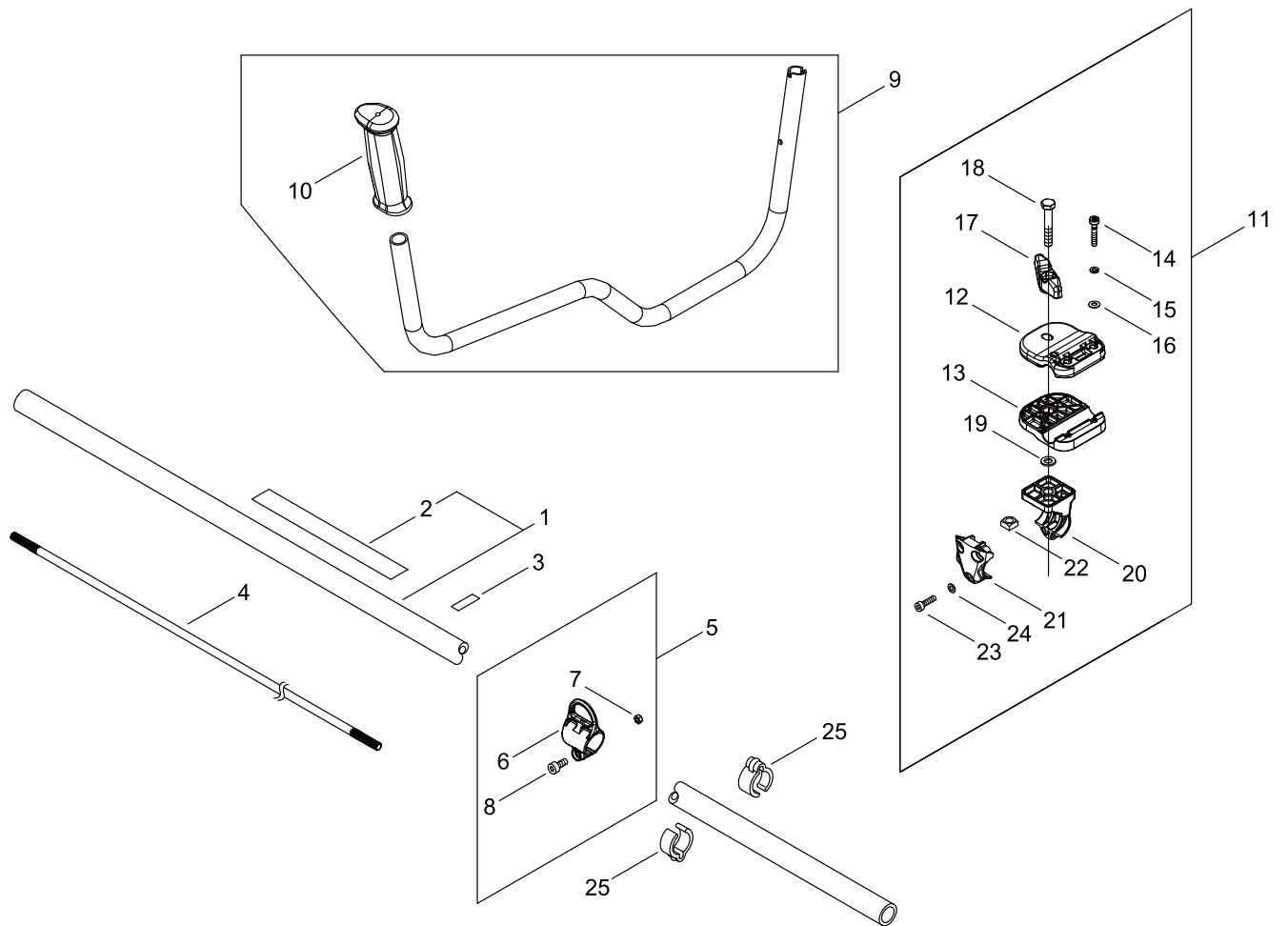
## GEAR CASE, SHIELD

| Key No. | LV (+) | Parts Number | Parts Description        | Qty | Standard     | Class |
|---------|--------|--------------|--------------------------|-----|--------------|-------|
| 1       |        | P100-004840  | CASE,GEAR ASY            | 1   |              |       |
| 2       | +      | V000-000260  | GEAR SET, BEVEL          | 1   |              | D     |
| 3       | +      | C534-001080  | SHAFT, GEAR              | 1   |              | D     |
| 4       | +      | 900812-06201 | BEARING, BALL            | 1   | 6201LLU(DDU) |       |
| 5       | +      | 900810-00629 | BEARING, BALL            | 1   | 629          |       |
| 6       | +      | 900800-00609 | BEARING, BALL            | 1   | 609          |       |
| 7       | +      | 900803-00609 | BEARING, BALL            | 1   | 609Z         |       |
| 8       | +      | 900701-00009 | RETAINING RING, EXTERNAL | 1   | CS-9         |       |
| 9       | +      | 900706-00012 | RETAINING RING, EXTERNAL | 1   | WR-12        |       |
| 10      | +      | 900702-00032 | RETAINING RING, INTERNAL | 1   | CR-32        |       |
| 11      | +      | 900702-00025 | RETAINING RING, INTERNAL | 1   | CR-25        |       |
| 12      | +      | V340-000180  | WASHER                   | 1   |              | C     |
| 13      | +      | 900220-04006 | SCREW                    | 1   | 4*6          |       |
| 14      | +      | V452-001310  | SPRING,TORSION           | 1   |              | B     |
| 15      | +      | 900603-50008 | WASHER                   | 1   | 8.5*18*0.8T  | C     |
| 16      | +      | 610434-50031 | BOLT 8* 8                | 1   | M8*8         | C     |
| 17      | +      | 610313-52932 | FIXTURE,BLADE            | 1   |              | C     |
| 18      | ++     | 610313-52132 | FIXTURE,BLADE            | 1   |              | C     |
| 19      | ++     | 610352-56830 | PLATE, CUP               | 1   |              | C     |
| 20      | ++     | 900720-00012 | O-RING                   | 1   | P-12         |       |
| 21      | +      | 610314-52130 | PLATE, ADAPTER (L)       | 1   |              | C     |
| 22      | +      | 699229-56830 | PLATE, COVER             | 1   |              | C     |
| 23      | +      | 610320-52130 | NUT 10                   | 1   |              | C     |
| 24      | +      | V806-000020  | BOLT, TORX 6             | 1   | TB-6*25 10.9 | C     |
| 25      | +      | V805-000130  | BOLT, TORX 5             | 1   | TB-5*10 10.9 | C     |
| 26      |        | P100-010520  | SHIELD ASY               | 1   |              |       |
| 27      | +      | 900565-00005 | NUT, SQUARE              | 1   | 5            |       |
| 28      | +      | V805-000170  | BOLT, TORX 5             | 1   | TB-5*25 10.9 | C     |
| 29      | +      | 900562-00005 | NUT, LOCK                | 1   | 5            |       |
| 30      | +      | C552-000200  | PLATE, SHIELD            | 1   |              | D     |
| 31      | +      | 91316-04010  | SCREW                    | 1   | 4*10         |       |
| 32      | +      | V805-000260  | BOLT, TORX 5             | 4   | TB5*25 10.9  | C     |
| 33      |        | P021-043981  | SHIELD ASY, BLADE        | 1   |              |       |
| 34      | +      | C554-000001  | KNIFE,CORD               | 1   |              | B     |
| 35      | +      | V805-000150  | BOLT, TORX 5             | 1   | TB-5*16 10.9 | C     |
| 36      |        | X530-000560  | LABEL,EYE CATCHER        | 1   | HIGH TORQUE  | D     |
| 37      |        | C550-000541  | SHIELD, BLADE            | 1   |              | B     |

Class : Consumable class

A:Fast moving parts B:Semi-fast moving parts C:Slow moving parts D:Order only as needed

## MAIN PIPE, HANDLE



## MAIN PIPE, HANDLE

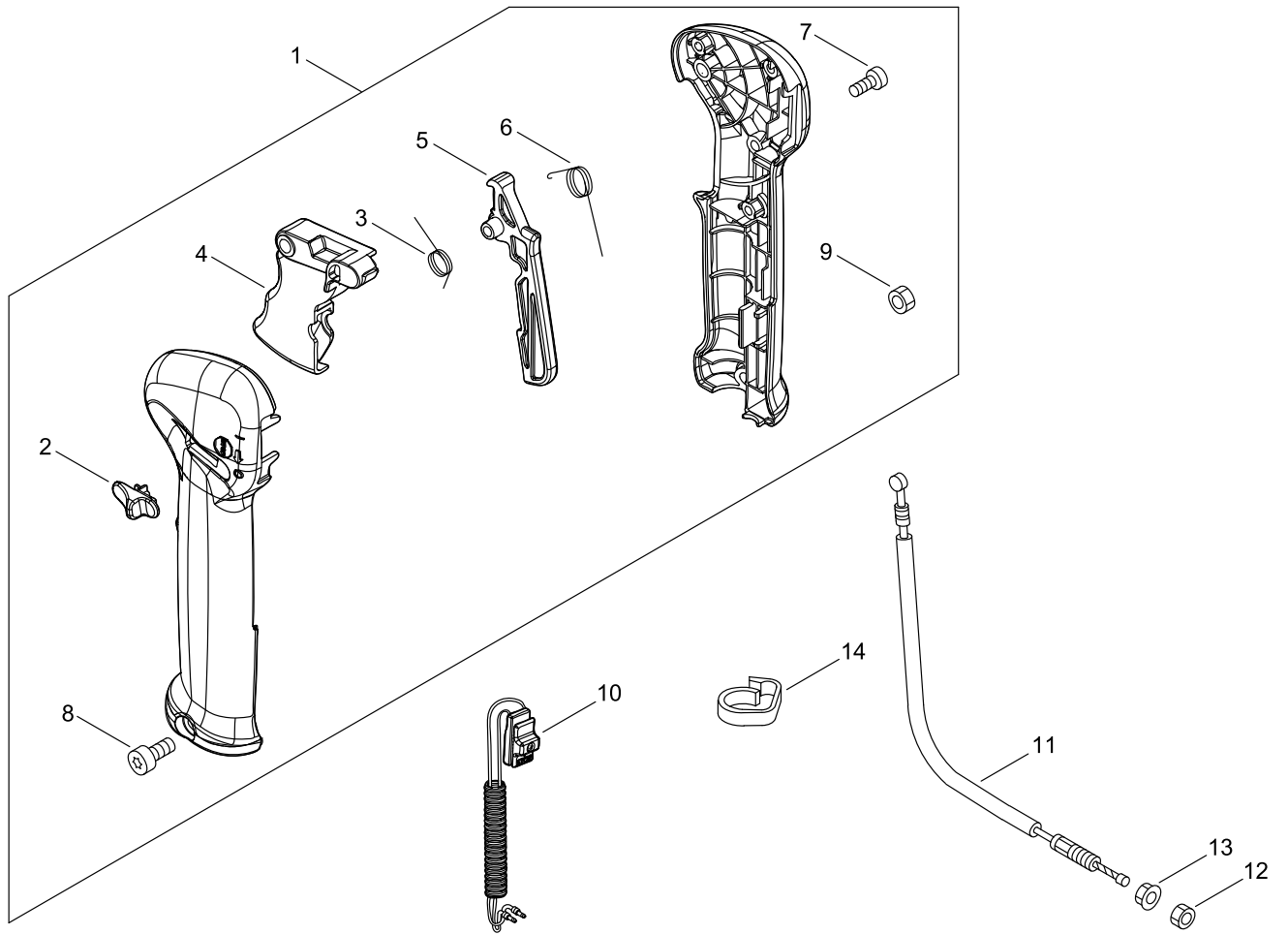
| Key No. | LV (+) | Parts Number | Parts Description  | Qty | Standard     | Class |
|---------|--------|--------------|--------------------|-----|--------------|-------|
| 1       |        | P021-049000  | MAIN PIPE ASY      | 1   |              |       |
| 2       | +      | 890617-43130 | LABEL,CAUTION      | 1   |              | D     |
| 3       |        | 890152-04930 | LABEL, CAUTION     | 1   |              | D     |
| 4       |        | 610011-25530 | SHAFT, DRIVE       | 1   |              | C     |
| 5       |        | P100-010550  | HOOK ASY           | 1   |              |       |
| 6       | +      | C670-000240  | HOOK,LIFTING       | 1   |              |       |
| 7       | +      | 900500-00005 | NUT                | 1   | 5            |       |
| 8       | +      | V805-000320  | BOLT, TORX 5       | 1   | TB-5*16 10.9 | C     |
| 9       |        | P100-010560  | HANDLE ASY         | 1   |              |       |
| 10      | +      | C403-000031  | GRIP,HANDLE        | 1   |              | C     |
| 11      |        | P100-010570  | FIXTURE HANDLE SET | 1   |              |       |
| 12      | +      | C423-001090  | FIXTURE, HANDLE    | 1   | 19           |       |
| 13      | +      | C423-001100  | FIXTURE, HANDLE    | 1   | 19           |       |
| 14      | +      | V203-002500  | BOLT,5             | 2   | TB-5*30      | C     |
| 15      | +      | 900605-00005 | WASHER, SPRING     | 2   | 5            |       |
| 16      | +      | 900620-00005 | WASHER             | 2   | 5            |       |
| 17      | +      | V299-000680  | KNOB,FASTENER      | 1   | M8           |       |
| 18      | +      | V205-001400  | BOLT,8             | 1   | M8*1.25*L50  |       |
| 19      | +      | 900720-20007 | O-RING             | 1   | P-7          |       |
| 20      | +      | C423-001110  | FIXTURE, HANDLE    | 1   |              |       |
| 21      | +      | C423-001120  | FIXTURE, HANDLE    | 1   |              |       |
| 22      | +      | 900565-50008 | NUT, SQUARE        | 1   | 8            |       |
| 23      | +      | V805-000170  | BOLT, TORX 5       | 3   | TB-5*25 10.9 | C     |
| 24      | +      | 900600-00005 | WASHER             | 1   | 5            |       |
| 25      |        | 224924-52130 | CLIP               | 2   | 25MM         | C     |

Class : Consumable class

A:Fast moving parts B:Semi-fast moving parts C:Slow moving parts D:Order only as needed



# THROTTLE



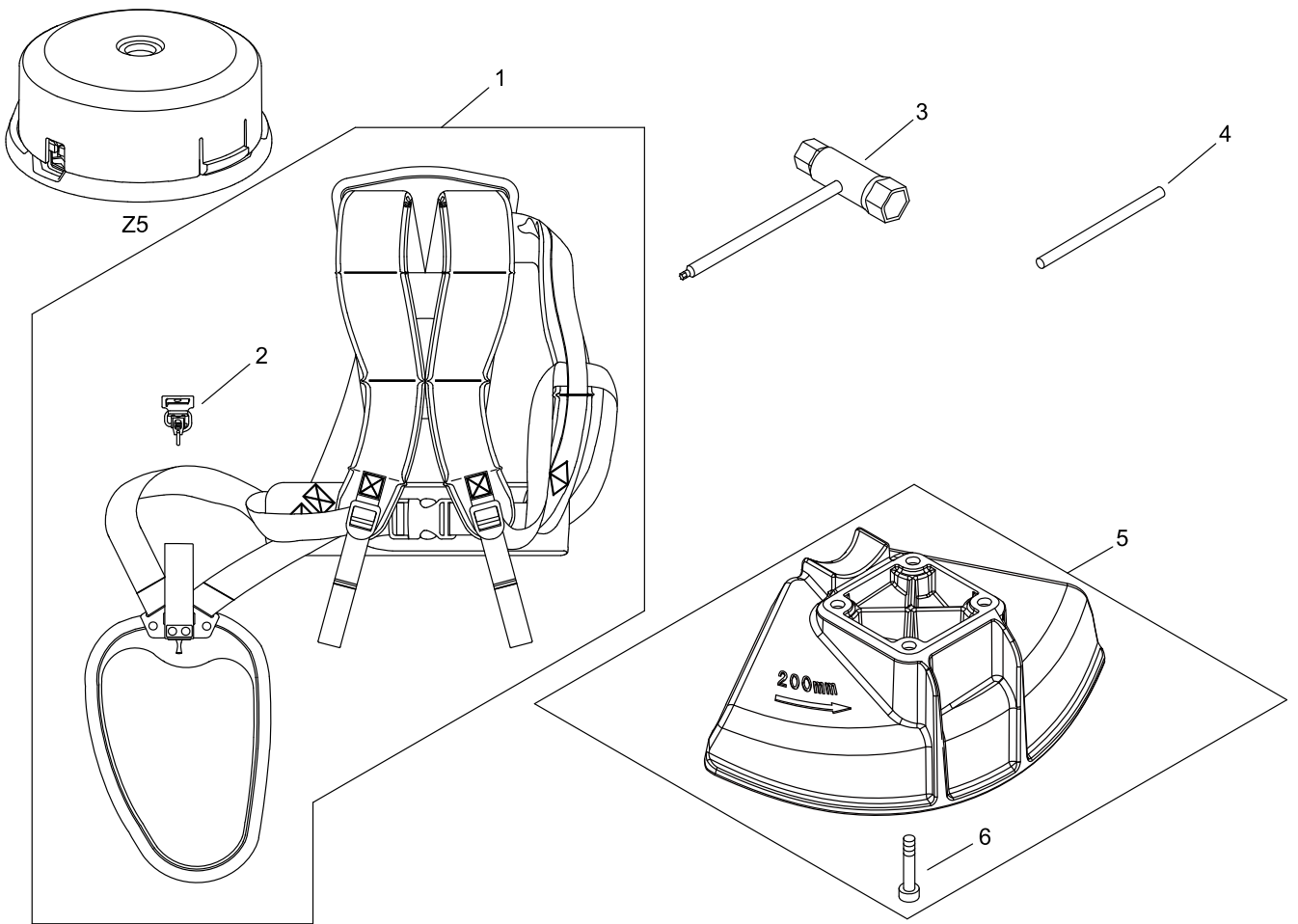
## THROTTLE

| Key No. | LV (+) | Parts Number | Parts Description | Qty | Standard        | Class |
|---------|--------|--------------|-------------------|-----|-----------------|-------|
| 1       |        | P100-004010  | THROTTLE ASY      | 1   |                 |       |
| 2       | +      | C463-000020  | KNOB, LATCH       | 1   |                 | C     |
| 3       | +      | V452-000360  | SPRING,TORSION    | 1   |                 | B     |
| 4       | +      | C450-000270  | CONTROL, THROTTLE | 1   |                 | C     |
| 5       | +      | C460-000111  | LOCKOUT, THROTTLE | 1   | 70MM            | C     |
| 6       | +      | V452-000350  | SPRING,TORSION    | 1   |                 | B     |
| 7       | +      | V804-000010  | BOLT, TORX 4      | 3   | TT-4*16 DG 10.9 | C     |
| 8       | +      | V805-000050  | BOLT, TORX 5      | 1   | TB-5*30 10.9    | C     |
| 9       | +      | 900500-00005 | NUT               | 1   | 5               |       |
| 10      |        | P100-004830  | SWITCH,ON OFF     | 1   |                 |       |
| 11      |        | V430-005140  | CABLE,BOWDEN      | 1   | OUT:960 IN:87   | B     |
| 12      |        | 900502-00006 | NUT               | 1   | 6               |       |
| 13      |        | 900518-00006 | NUT, FLANGE       | 1   | 6               |       |
| 14      |        | 159112-09961 | CLIP              | 1   |                 | C     |

Class : Consumable class

A:Fast moving parts B:Semi-fast moving parts C:Slow moving parts D:Order only as needed

# ACCESSORIES



## ACCESSORIES

| Key No. | LV (+) | Parts Number | Parts Description | Qty | Standard     | Class |
|---------|--------|--------------|-------------------|-----|--------------|-------|
| 1       |        | C062-000511  | HARNESS, SHOULDER | 1   |              | B     |
| 2       | +      | P021-042910  | HOOK ASSY         | 1   |              |       |
| 3       |        | X601-000020  | TOOL,BOX SPANNER  | 1   | 19*16 L200   | D     |
| 4       |        | X606-000080  | TOOL,BAR          | 1   | 5*120        | D     |
| 5       |        | P100-008860  | SAW BLADE SHIELD  | 1   |              |       |
| 6       | +      | V805-000410  | BOLT, TORX 5      | 1   | TB-5*20 10.9 | C     |

Class : Consumable class

A:Fast moving parts B:Semi-fast moving parts C:Slow moving parts D:Order only as needed

# NUMERICAL PARTS INDEX

| Part No      | Part description         | Page | Part No      | Part description         | Page | Part No     | Part description         | Page |
|--------------|--------------------------|------|--------------|--------------------------|------|-------------|--------------------------|------|
| 125322-13930 | SPRING, COIL             | 12   | 900701-00012 | RETAINING RING, EXTERNAL | 8    | A313-002070 | GUIDE, EXHAUST           | 16   |
| 125323-08260 | ARM, VALVE               | 12   | 900702-00025 | RETAINING RING, INTERNAL | 20   | A320-001280 | COVER,MUFFLER            | 16   |
| 125337-08260 | VALVE, INLET NEEDLE      | 12   |              |                          |      | A350-002460 | TANK, FUEL               | 14   |
| 125338-13930 | PIN, METERING ARM        | 12   | 900702-00032 | RETAINING RING, INTERNAL | 20   | A356-000050 | VALVE,CHECK              | 14   |
| 125339-42030 | SCREW                    | 12   | 900706-00012 | RETAINING RING, EXTERNAL | 20   | A365-000060 | CONNECTOR,CAP            | 14   |
| 125342-52130 | COVER, DIAPHRAGM         | 12   |              |                          |      | A369-000420 | STRAINER, FUEL           | 14   |
| 125344-13931 | SCREW                    | 12   | 900720-00012 | O-RING                   | 20   | A409-001340 | ROTOR, MAGNETO           | 6    |
| 125344-52130 | SCREW                    | 12   | 900720-20007 | O-RING                   | 22   | A411-001770 | COIL, IGNITION           | 6    |
| 132115-55931 | GROMMET, FUEL            | 14   | 900800-00609 | BEARING, BALL            | 20   | A413-000100 | BOOT                     | 8    |
| 159112-09961 | CLIP                     | 24   | 900803-00609 | BEARING, BALL            | 20   | A425-000040 | SPARKPLUG                | 6    |
| 175048-05530 | WASHER (I)               | 8    | 900810-00629 | BEARING, BALL            | 20   | A426-000010 | TERMINAL,SPARKPLUG       | 6    |
| 175049-56030 | WASHER                   | 8    | 900812-06201 | BEARING, BALL            | 20   | A427-000190 | CAP,SPARK PLUG           | 6    |
| 177214-41030 | WASHER                   | 18   | 91316-04010  | SCREW                    | 20   | A429-000220 | COVER,CAP                | 2    |
| 177220-42030 | SPRING, REWIND           | 18   | 91341-03006  | SCREW                    | 2    | A556-001810 | DRUM, CLUTCH             | 8    |
| 177228-44330 | GRIP, STARTER            | 18   | 92419-28000  | RETAINING RING, INTERNAL | 8    | A557-000150 | SHAFT, CLUTCH            | 8    |
| 177236-61830 | SCREW                    | 18   |              |                          |      | 92424-42000 | RETAINING RING, INTERNAL | 8    |
| 224924-52130 | CLIP                     | 22   | 93115-03010  | KEY, WOODRUFF            | 6    |             |                          |      |
| 610011-25530 | SHAFT, DRIVE             | 22   | 94018-46001  | BEARING, BALL            | 8    | A600-000020 | LIFTER                   | 4    |
| 610313-52132 | FIXTURE,BLADE            | 20   | A011-001530  | CRANKSHAFT,ASY           | 2    | A603-000090 | VALVE                    | 4    |
| 610313-52932 | FIXTURE,BLADE            | 20   | A021-004820  | CARBURETOR, DIAPHRAGM    | 10   | A603-000100 | VALVE                    | 4    |
| 610314-52130 | PLATE, ADAPTER (L)       | 20   | A021-004820  | CARBURETOR, DIAPHRAGM    | 12   | A604-000030 | SPRING,VALVE             | 4    |
| 610320-52130 | NUT 10                   | 20   |              |                          |      | A606-000040 | RETAINER                 | 4    |
| 610352-56830 | PLATE, CUP               | 20   | A023-000360  | CASE,CLEANER             | 10   | A607-000030 | ROD,PUSH                 | 4    |
| 610434-50031 | BOLT 8* 8                | 20   | A051-003330  | STARTER,RECOIL ASY       | 18   | A610-000090 | ARM,ROCKER               | 4    |
| 699229-56830 | PLATE, COVER             | 20   | A052-000300  | STARTER PULLEY           | 18   | A622-000020 | GEAR,CAM                 | 4    |
| 890152-04930 | LABEL, CAUTION           | 22   | A101-000730  | RING, PISTON             | 2    | C062-000511 | HARNESS, SHOULDER        | 26   |
| 890617-43130 | LABEL,CAUTION            | 22   | A127-000440  | COVER,DUST               | 10   | C403-000031 | GRIP,HANDLE              | 22   |
| 900220-04006 | SCREW                    | 20   | A127-000600  | COVER,DUST               | 18   | C423-001090 | FIXTURE, HANDLE          | 22   |
| 900330-40080 | ROLLER                   | 8    | A137-000040  | COVER,ROCKER ARM         | 4    | C423-001100 | FIXTURE, HANDLE          | 22   |
| 900330-50280 | ROLLER                   | 4    | A146-000020  | WEIGHT,DECOMP            | 4    | C423-001110 | FIXTURE, HANDLE          | 22   |
| 900500-00005 | NUT                      | 22   | A160-003390  | COVER,CYLINDER           | 2    | C423-001120 | FIXTURE, HANDLE          | 22   |
| 900500-00005 | NUT                      | 24   | A160-003410  | COVER,CYLINDER           | 2    | C450-000270 | CONTROL, THROTTLE        | 24   |
| 900502-00006 | NUT                      | 24   | A175-000390  | STAND                    | 14   | C460-000111 | LOCKOUT, THROTTLE        | 24   |
| 900515-00008 | NUT, FLANGE              | 6    | A200-001190  | INSULATOR, INTAKE        | 10   | C463-000020 | KNOB, LATCH              | 24   |
| 900518-00006 | NUT, FLANGE              | 24   | A209-001070  | PLATE, INSULATOR         | 10   | C534-001080 | SHAFT, GEAR              | 20   |
| 900562-00005 | NUT, LOCK                | 20   | A211-000021  | VALVE, REED              | 2    | C550-000541 | SHIELD, BLADE            | 20   |
| 900565-00005 | NUT, SQUARE              | 20   | A212-000021  | GUIDE, VALVE             | 2    | C552-000200 | PLATE, SHIELD            | 20   |
| 900565-50008 | NUT, SQUARE              | 22   | A226-000361  | ELEMENT, AIR FILTER      | 10   | C554-000001 | KNIFE,CORD               | 20   |
| 900600-00005 | WASHER                   | 22   | A226-002200  | ELEMENT, AIR FILTER      | 10   | C603-000240 | PLATE                    | 4    |
| 900603-00005 | WASHER                   | 14   | A235-000450  | KNOB,CLEANER LID         | 10   | C670-000240 | HOOK,LIFTING             | 22   |
| 900603-50008 | WASHER                   | 20   | A242-000280  | LEVER, CHOKE             | 10   | E106-000240 | GUIDE,AIR                | 6    |
| 900605-00005 | WASHER, SPRING           | 22   | A243-000380  | SHUTTER, CHOKE           | 10   | P005-000010 | STRAINER                 | 12   |
| 900620-00005 | WASHER                   | 22   | A244-000330  | PLATE, PREVENT           | 10   | P005-000100 | SCREW, THROTTLEADJUST    | 12   |
| 900701-00009 | RETAINING RING, EXTERNAL | 20   | A310-000520  | SCREEN, ARRESTOR         | 16   | P005-000190 | E-RING                   | 12   |

# NUMERICAL PARTS INDEX

| Part No     | Part description    | Page | Part No     | Part description   | Page | Part No     | Part description  | Page |
|-------------|---------------------|------|-------------|--------------------|------|-------------|-------------------|------|
| P005-000200 | GASKET, METERING    | 12   | V103-001970 | GASKET,INTAKE      | 10   | V805-000140 | BOLT, TORX 5      | 10   |
| P005-000250 | RETAINER            | 12   | V103-001980 | GASKET,INTAKE      | 10   | V805-000140 | BOLT, TORX 5      | 16   |
| P005-000270 | SCREW               | 12   | V103-001990 | GASKET,INTAKE      | 10   | V805-000150 | BOLT, TORX 5      | 8    |
| P005-000280 | O-RING              | 12   | V104-002360 | GASKET,EXHAUST     | 16   | V805-000150 | BOLT, TORX 5      | 18   |
| P005-000520 | GASKET, PUMP        | 12   | V104-002370 | GASKET,EXHAUST     | 16   | V805-000150 | BOLT, TORX 5      | 20   |
| P005-001000 | ROLLER, GUIDE       | 12   | V107-000190 | GASKET,FUEL CAP    | 14   | V805-000170 | BOLT, TORX 5      | 8    |
| P005-001240 | POST                | 12   | V109-000040 | GASKET             | 4    | V805-000170 | BOLT, TORX 5      | 14   |
| P005-001270 | PLUG, AJUST SCREW   | 12   | V109-000340 | GASKET             | 4    | V805-000170 | BOLT, TORX 5      | 20   |
| P005-001900 | SCREW               | 12   | V202-000850 | BOLT,4             | 4    | V805-000170 | BOLT, TORX 5      | 22   |
| P005-003110 | PUMP, PRIMER        | 12   | V203-002400 | BOLT,5             | 6    | V805-000250 | BOLT, TORX 5      | 2    |
| P005-003760 | DIAPHRAGM ,METERING | 12   | V203-002500 | BOLT,5             | 22   | V805-000250 | BOLT, TORX 5      | 16   |
| P005-003930 | DIAPHRAGM, PUMP     | 12   | V205-001400 | BOLT,8             | 22   | V805-000260 | BOLT, TORX 5      | 20   |
| P005-003940 | DIAPHRAGM, PUMP     | 12   | V252-000930 | SCREW,4            | 4    | V805-000320 | BOLT, TORX 5      | 22   |
| P005-003950 | SCREW,MAIN MIXTURE  | 12   | V263-000500 | NUT,5              | 4    | V805-000410 | BOLT, TORX 5      | 26   |
| P005-003960 | SPRING, PUMP        | 12   | V299-000680 | KNOB,FASTENER      | 22   | V806-000020 | BOLT, TORX 6      | 20   |
| P005-004240 | BASE, ASY PRIMER    | 12   | V303-000220 | WASHER             | 4    | X502-000390 | LABEL,ECHO        | 2    |
| P021-012211 | CAP,FUEL ASY        | 14   | V307-000580 | WASHER,CIRCULAR 10 | 2    | X524-001901 | LABEL             | 2    |
| P021-042910 | HOOK ASSY           | 26   | V340-000180 | WASHER             | 20   | X530-000560 | LABEL,EYE CATCHER | 20   |
| P021-043981 | SHIELD ASY, BLADE   | 20   | V353-000720 | COLLAR,5           | 4    | X530-000590 | LABEL,EYE CATCHER | 2    |
| P021-046970 | CLUTCH SHOE SET     | 8    | V392-000030 | PLATE              | 4    | X547-003720 | LABEL,ECHO        | 18   |
| P021-049000 | MAIN PIPE ASY       | 22   | V430-005140 | CABLE,BOWDEN       | 24   | X601-000020 | TOOL,BOX SPANNER  | 26   |
| P022-022010 | NUT                 | 18   | V452-000350 | SPRING,TORSION     | 24   | X606-000080 | TOOL,BAR          | 26   |
| P022-045770 | GUIDE, ROPE         | 18   | V452-000360 | SPRING,TORSION     | 24   |             |                   |      |
| P022-049770 | DRUM, STARTER       | 18   | V452-001310 | SPRING,TORSION     | 20   |             |                   |      |
| P022-049780 | COLLAR              | 18   | V452-001800 | SPRING,TORSION     | 4    |             |                   |      |
| P022-049790 | SWING ARM           | 18   | V471-001501 | PIPE               | 14   |             |                   |      |
| P022-049800 | ROPE, STARTER       | 18   | V471-004171 | PIPE               | 14   |             |                   |      |
| P022-059510 | CASE, STARTER       | 18   | V471-005290 | PIPE               | 14   |             |                   |      |
| P100-004010 | THROTTLE ASY        | 24   | V485-003010 | LEAD               | 6    |             |                   |      |
| P100-004730 | CYL. CRANKCASE SET  | 2    | V485-003020 | LEAD               | 6    |             |                   |      |
| P100-004740 | PISTON KIT          | 2    | V490-000500 | CLIP               | 14   |             |                   |      |
| P100-004750 | CAM GEAR ASY        | 4    | V505-000011 | SEAL,OIL 12        | 2    |             |                   |      |
| P100-004760 | COVER,CAM GEAR      | 4    | V505-000020 | SEAL,OIL 12        | 2    |             |                   |      |
| P100-004780 | COVER ASY, FAN      | 8    | V555-000010 | BEARING,NEEDLE 10  | 2    |             |                   |      |
| P100-004790 | CLEANER COVER ASY   | 10   | V580-000010 | RING,END           | 2    |             |                   |      |
| P100-004810 | MUFFLER ASY         | 16   | V581-000790 | RING,O             | 10   |             |                   |      |
| P100-004830 | SWITCH,ON OFF       | 24   | V608-000000 | PIN,ENG 10         | 2    |             |                   |      |
| P100-004840 | CASE,GEAR ASY       | 20   | V804-000010 | BOLT, TORX 4       | 24   |             |                   |      |
| P100-008860 | SAW BLADE SHIELD    | 26   | V804-000030 | BOLT, TORX 4       | 16   |             |                   |      |
| P100-010520 | SHIELD ASY          | 20   | V804-000050 | BOLT, TORX 4       | 4    |             |                   |      |
| P100-010550 | HOOK ASY            | 22   | V804-000120 | BOLT, TORX 4       | 10   |             |                   |      |
| P100-010560 | HANDLE ASY          | 22   | V805-000050 | BOLT, TORX 5       | 24   |             |                   |      |
| P100-010570 | FIXTURE HANDLE SET  | 22   | V805-000100 | BOLT, TORX 5       | 10   |             |                   |      |
| P100-010620 | COVER,FAN           | 8    | V805-000130 | BOLT, TORX 5       | 20   |             |                   |      |
| V000-000260 | GEAR SET, BEVEL     | 20   | V805-000140 | BOLT, TORX 5       | 2    |             |                   |      |