

CS-3510ES

Serial Number

38000001-38999999

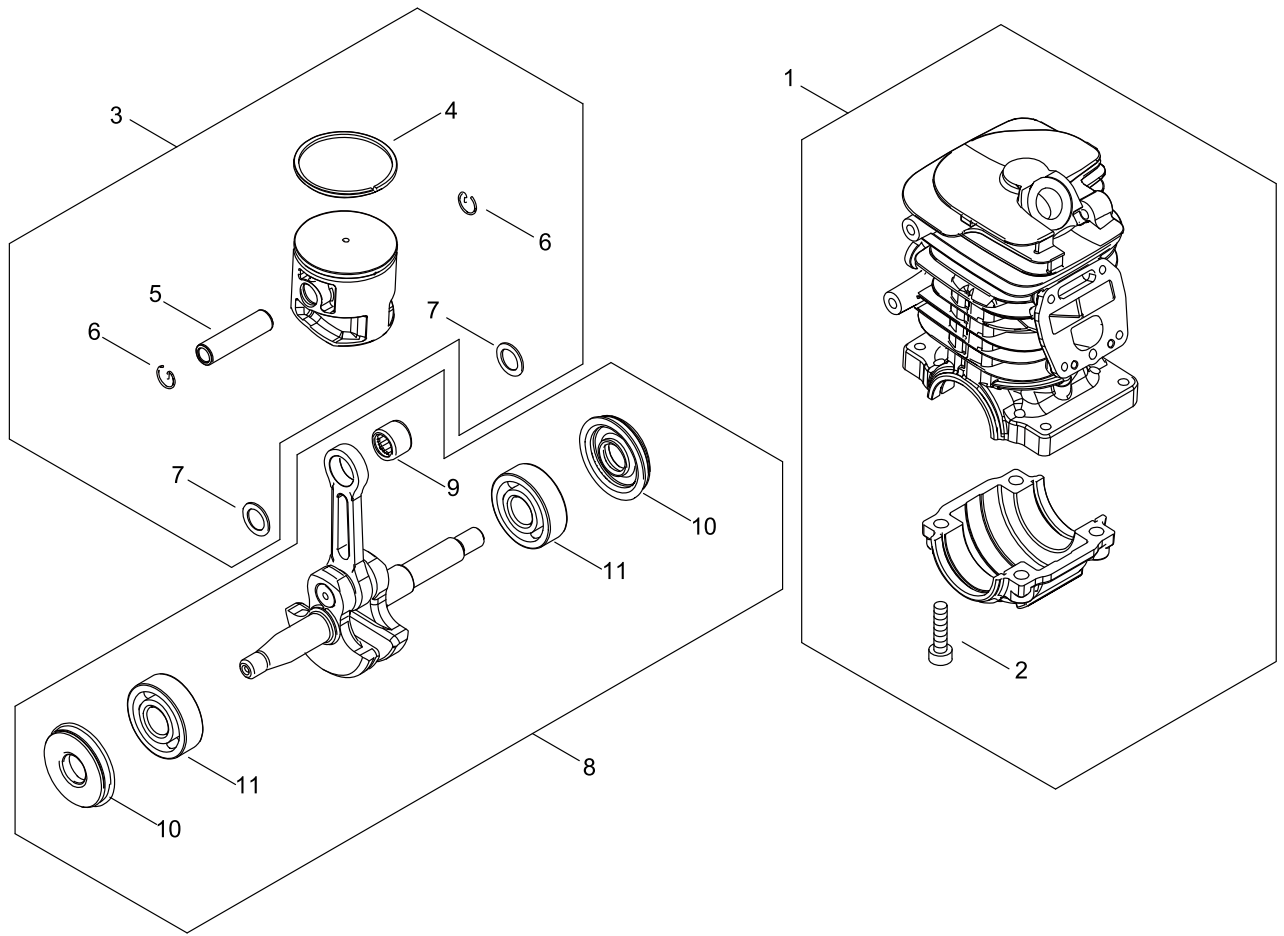
Last updated date

29/Apr/2021

TABLE OF CONTENTS

CYLINDER, PISTON, CRANKSHAFT	1
ENGINE COVER.....	3
MAGNETO.....	5
AIR CLEANER, CARBURETOR.....	7
CARBURETOR.....	9
MUFFLER.....	11
RECOIL STARTER.....	13
HANDLE.....	15
CHAIN BRAKE.....	17
ACCESSORIES	19
GUIDE BAR, CHAIN	21
OPTION PARTS.....	23

CYLINDER, PISTON, CRANKSHAFT



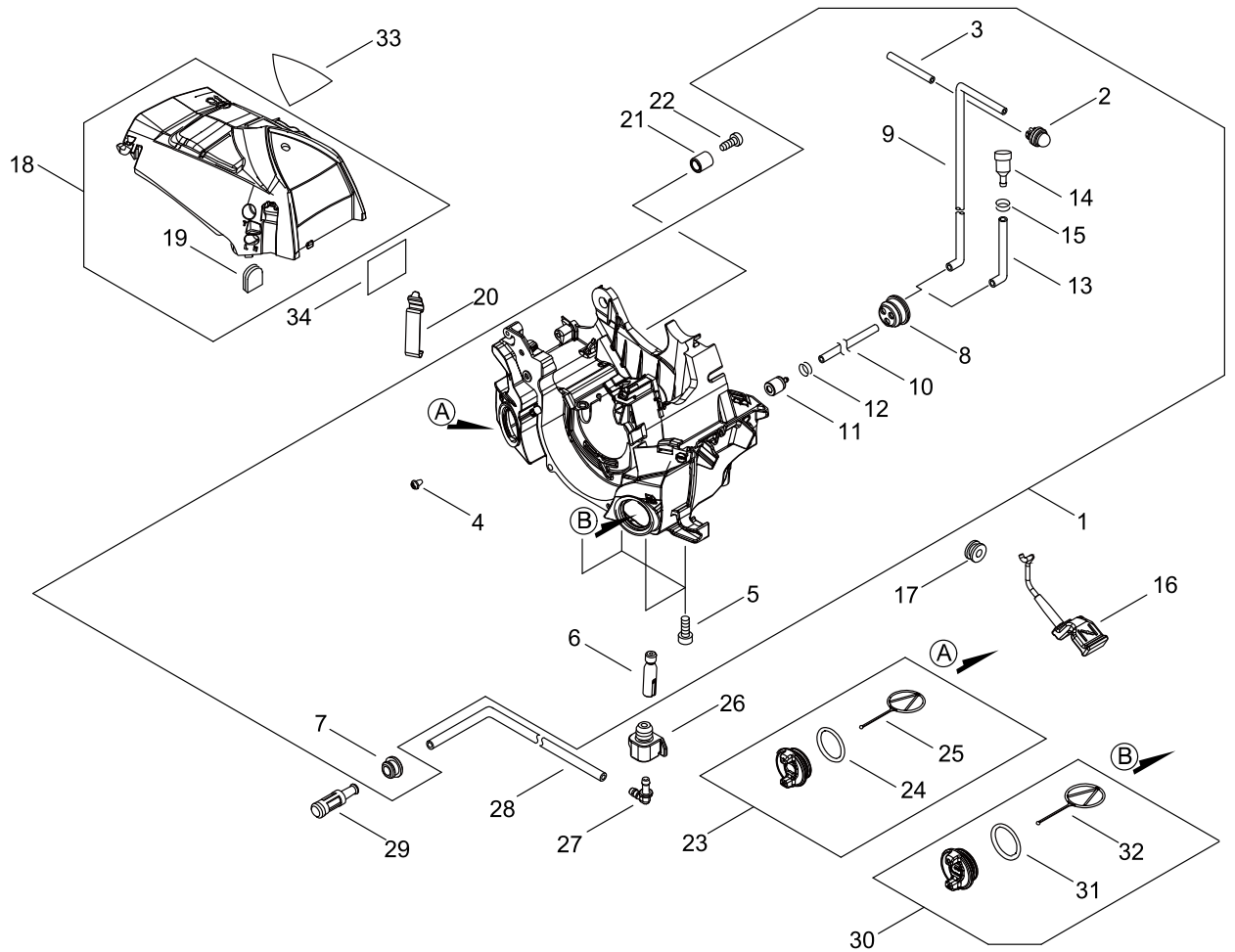
CYLINDER, PISTON, CRANKSHAFT

Key No.	LV (+)	Parts Number	Parts Description	Qty	Standard	Class
1		P100-009150	CRANKCASE KIT	1		
2	+	V805-000210	BOLT, TORX 5	4	TB-5*20 12.9	C
3		P100-009130	PISTON KIT	1		
4	+	A101-000160	RING, PISTON	1	40*B1.5*T1.8	B
5	+	V607-000000	PIN,ENG 9	1		D
6	+	100015-03931	CIRCLIP, PISTON PIN	2		C
7	+	V306-000520	WASHER,CIRCULAR 8	2	9.2*14*T0.8	C
8		P100-009600	CRANKSHAFT ASY	1		
9	+	V554-000030	BEARING,NEEDLE 9	1	HK0910MPX1V2	C
10	+	V505-000011	SEAL,OIL 12	2	12*32*5.5	C
11	+	94095-36201	BEARING, BALL	2	6201	

Class : Consumable class

A:Fast moving parts B:Semi-fast moving parts C:Slow moving parts D:Order only as needed

ENGINE COVER



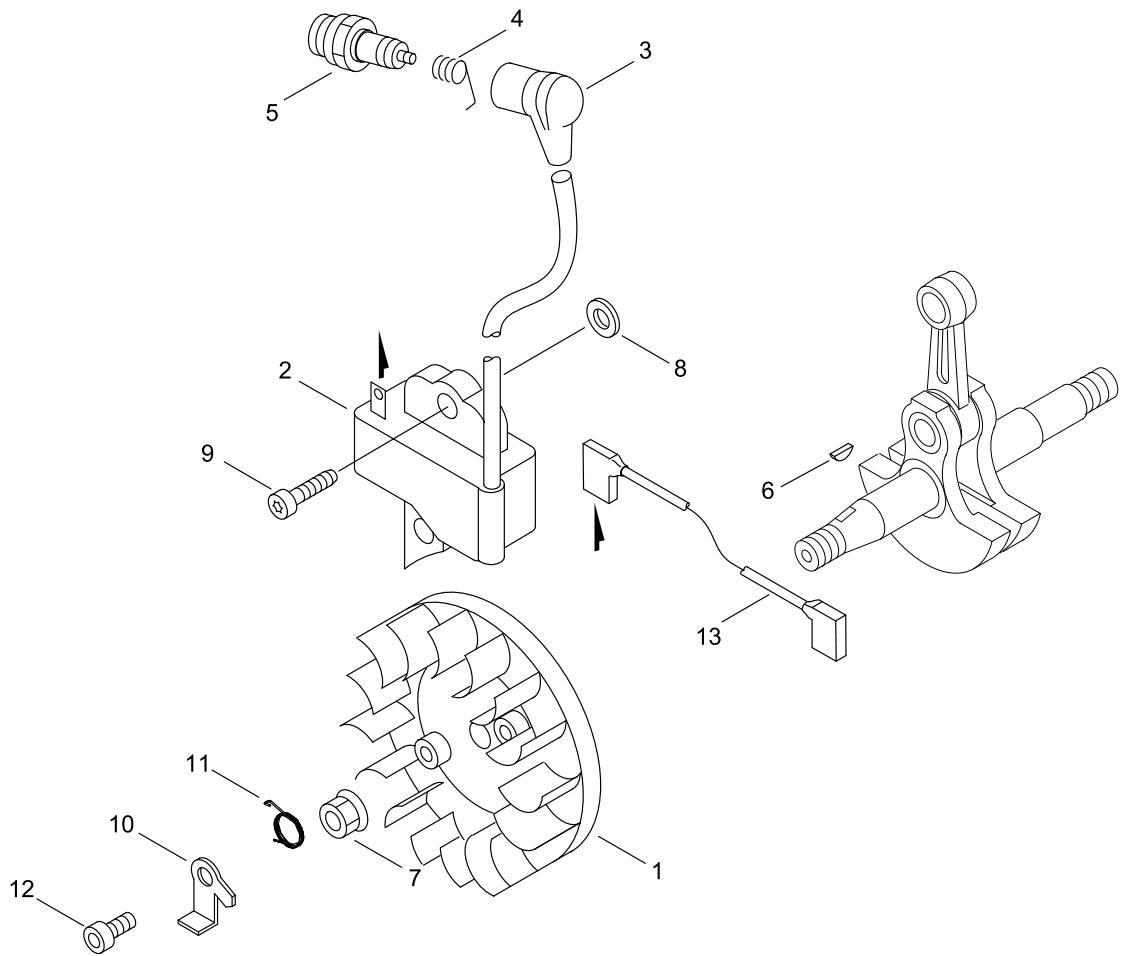
ENGINE COVER

Key No.	LV (+)	Parts Number	Parts Description	Qty	Standard	Class
1		P100-009610	COVER ENGINE ASY	1		
2	+	A035-000040	PUMP, FUEL	1	188-554-A	A
3	+	V471-001281	PIPE	1	2.4*5*105	C
4	+	91449-04006	SCREW, TAPPING	1	4*6	
5	+	V805-000210	BOLT, TORX 5	4	TB-5*20 12.9	C
6	+	C022-000190	AUTO-OILER ASSEMBLY	1		C
7	+	132115-01462	GROMMET	1		C
8	+	132115-46730	GROMMET, FUEL	1		C
9	+	V471-001241	PIPE	1	2.4*5*140	C
10	+	V471-001231	PIPE	1	3*5*210	C
11	+	A369-000470	STRAINER, FUEL	1		A
12	+	V490-001240	CLIP	1		C
13	+	V471-001201	PIPE	1	3*5*70	C
14	+	A356-000031	VALVE,CHECK	1		B
15	+	V490-001240	CLIP	1		C
16		A241-000420	KNOB, CHOKE	1		C
17		178810-03330	GROMMET	1		C
18		P100-009570	CYLINDER COVER ASY	1		
19	+	130338-32430	PLUG, COVER	1		B
20		V490-001730	CLIP	2		C
21		C310-000110	CATCHER, CHAIN	1		B
22		V203-002260	BOLT,5	1		C
23		P100-009040	CAP ASY	1		
24	+	900720-20029	O-RING	1	P-29	
25	+	131051-19830	LINK	1	60L	B
26		V138-000030	GROMMET,OIL	1		C
27		V186-000530	JOINT,PIPE	1		C
28		437210-30831	PIPE	1	3*6*210	C
29		P100-001900	STRAINER, OIL	1		
30		P100-009200	CAP ASY	1		
31	+	V581-000600	RING,O	1	P29	A
32	+	131051-19830	LINK	1	60L	B
33		X503-015560	LABEL,MODEL	1	CS-3510ES	D
34		X505-011340	LABEL,CAUTION	1	25.5*55	D

Class : Consumable class

A:Fast moving parts B:Semi-fast moving parts C:Slow moving parts D:Order only as needed

MAGNETO



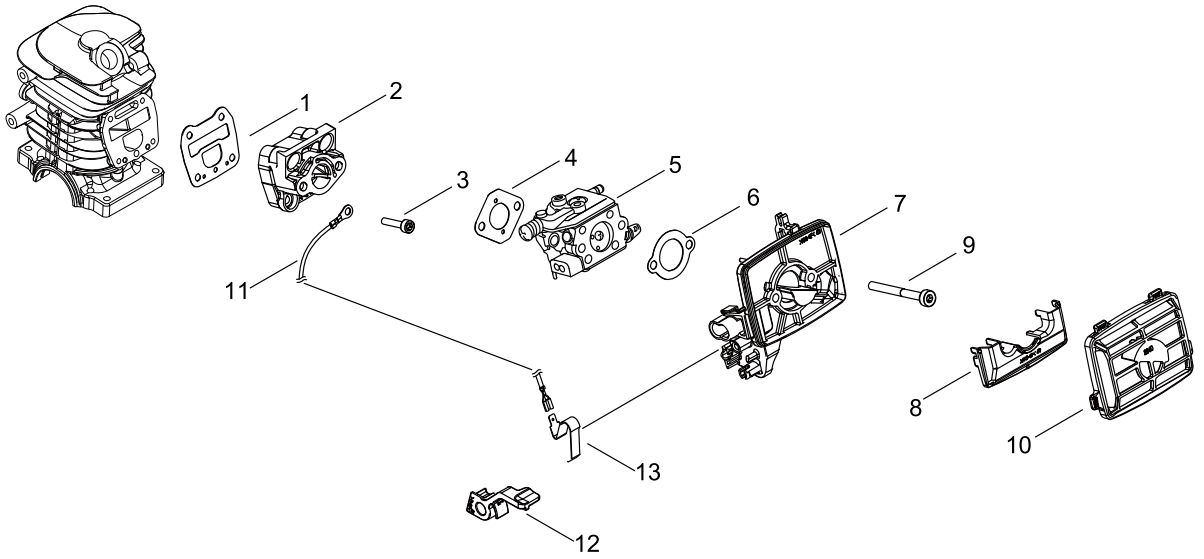
MAGNETO

Key No.	LV (+)	Parts Number	Parts Description	Qty	Standard	Class
1		A409-001180	ROTOR, MAGNETO	1		C
2		A411-001960	COIL, IGNITION	1	OPPAMA ID#A10105	C
3		A427-000013	CAP, SPARK PLUG	1		C
4		A426-000010	TERMINAL, SPARKPLUG	1		C
5		A425-000000	SPARKPLUG	1	BPMR8Y	A
6		100142-12330	KEY, WOODRUFF	1		C
7		900515-00008	NUT, FLANGE	1	8	
8		150117-16430	SPACER	2		C
9		V805-000210	BOLT, TORX 5	2	TB-5*20 12.9	C
10		A514-000020	PAWL	2		C
11		177234-35430	SPRING, RETURN	2		B
12		V203-002250	BOLT, 5	2		C
13		V485-003510	LEAD	1	AV0.5F-L:185	C

Class : Consumable class

A:Fast moving parts B:Semi-fast moving parts C:Slow moving parts D:Order only as needed

AIR CLEANER, CARBURETOR



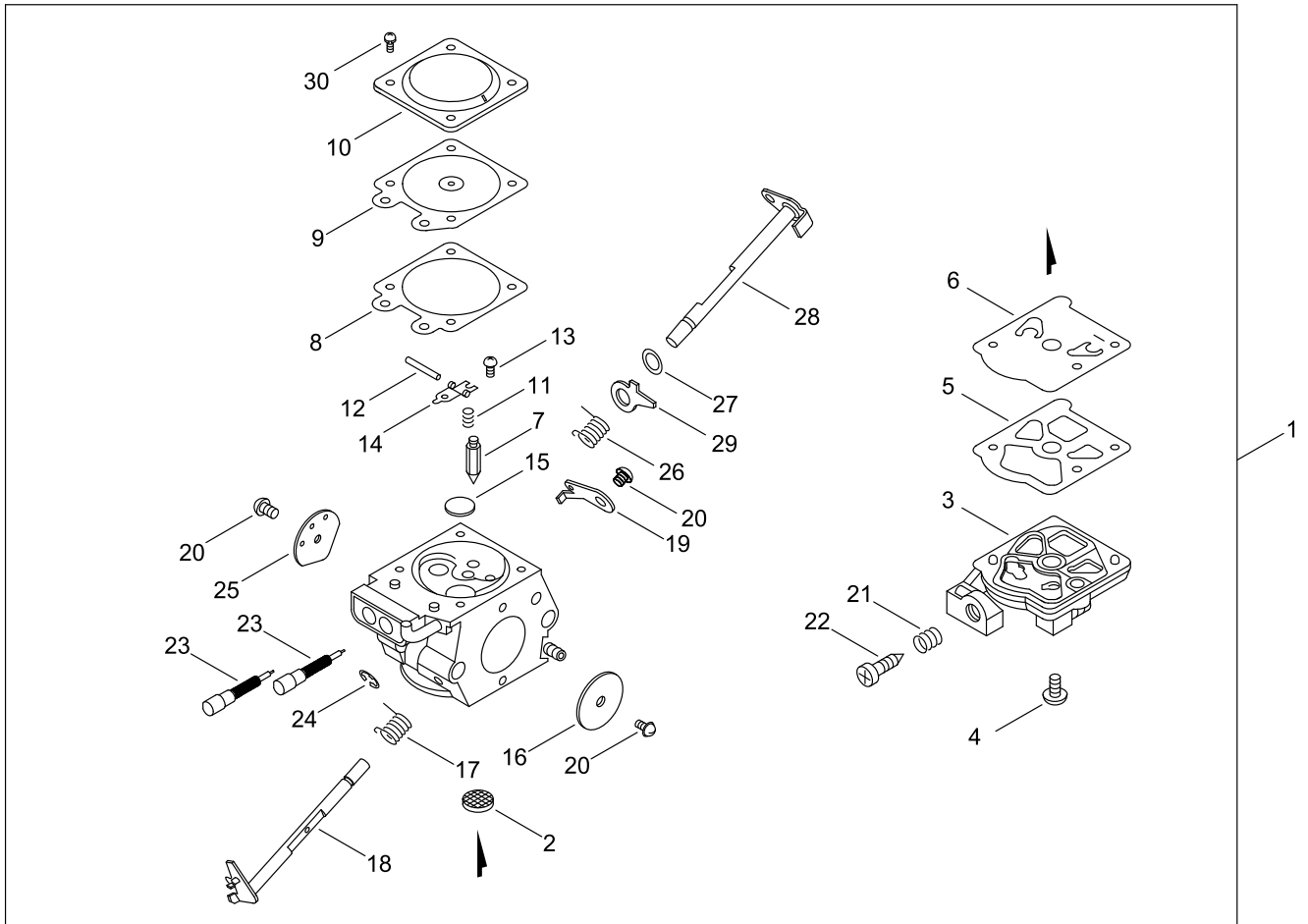
AIR CLEANER, CARBURETOR

Key No.	LV (+)	Parts Number	Parts Description	Qty	Standard	Class
1		V103-002160	GASKET,INTAKE	1		A
2		A200-001260	INSULATOR, INTAKE	1		C
3		V804-000070	BOLT, TORX 4	4	TB-4*20 12.9	C
4		V103-002170	GASKET,INTAKE	1		A
5		A021-005280	CARBURETOR,DIAPHRAGM	1	WT-1240 /EX6525	B
6		V103-000500	GASKET,INTAKE	1	ASK NO.4600	A
7		A238-000090	HOLDER, ELEMENT	1		C
8		A161-000420	DUCT, AIR	1		C
9		V805-000080	BOLT, TORX 5	2	TB-5*50 10.9	C
10		A226-002350	ELEMENT, AIR FILTER	1	NON-WOVEN	A
11		V485-003420	LEAD	1		C
12		A444-000150	KNOB, SWITCH	1		C
13		A443-000190	PLATE, CONTACT	1		C

Class : Consumable class

A:Fast moving parts B:Semi-fast moving parts C:Slow moving parts D:Order only as needed

CARBURETOR



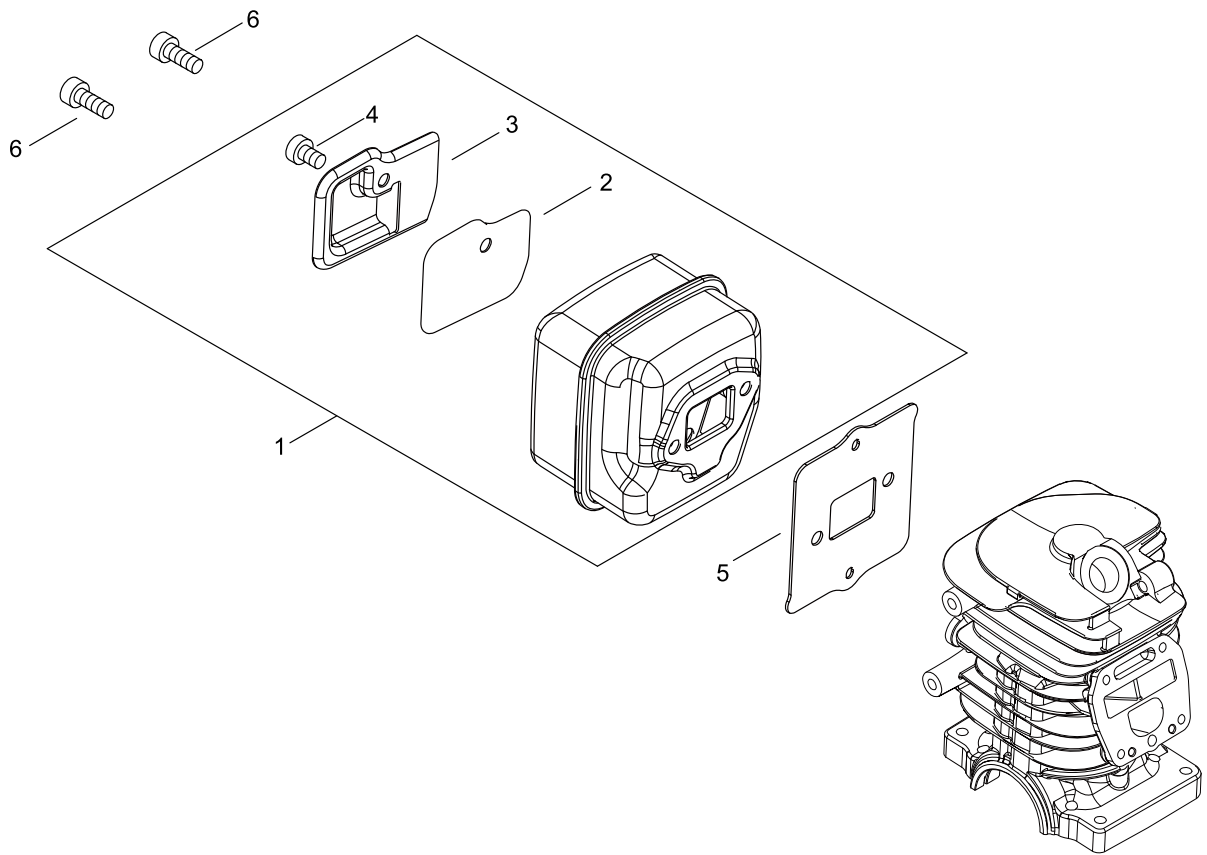
CARBURETOR

Key No.	LV (+)	Parts Number	Parts Description	Qty	Standard	Class
1		A021-005280	CARBURETOR,DIAPHRAGM	1	WT-1240 /EX6525	B
2	+	123126-10631	SCREEN, INLET	1		
3	+	P003-006480	COVER, FUEL PUMP	1		
4	+	123110-03930	SCREW, PUMP COVER	1		
5	+	123125-15030	GASKET, FUEL PUMP	1		
6	+	123112-15030	DIAPHRAGM, FUEL PUMP	1		
7	+	123137-19830	VALVE, INLET NEEDLE	1		
8	+	123140-03930	GASKET, M. DIAPHRAGM	1		
9	+	P003-001850	DIAPHRAGM, METERING	1		
10	+	123142-03930	COVER, M. DIAPHRAGM	1		
11	+	123122-03660	SPRING, METER. LEVER	1		
12	+	123138-03930	PIN, METERING LEVER	1		
13	+	P003-005400	SCREW	1		
14	+	123123-03930	LEVER, METERING	1		
15	+	123146-10631	PLUG, WELCH	1		
16	+	P003-000310	VALVE THROTTLE	1		
17	+	123113-37530	SPRING, THROTTLE RTN	1		B
18	+	P003-000480	SHAFT,THROTTLE	1		
19	+	P003-006470	LEVER, THROTTLE	1		
20	+	123114-38830	SCREW	3		
21	+	123133-04260	SPRING, IDLE ADJUST	1		
22	+	123134-04260	SCREW, IDLE ADJUST	1		
23	+	P003-004190	NEEDLE	2		D
24	+	123127-15030	RING	2		
25	+	P003-001960	VALVE, CHOKE	1		
26	+	P003-002260	SPRING	1		
27	+	123149-26030	WASHER	1		
28	+	P003-006490	SHAFT-CHOKE(MOLD)	1		
29	+	P003-001510	LEVER-FAST IDLE	1		
30	+	123130-02960	SCREW	4		

Class : Consumable class

A:Fast moving parts B:Semi-fast moving parts C:Slow moving parts D:Order only as needed

MUFFLER



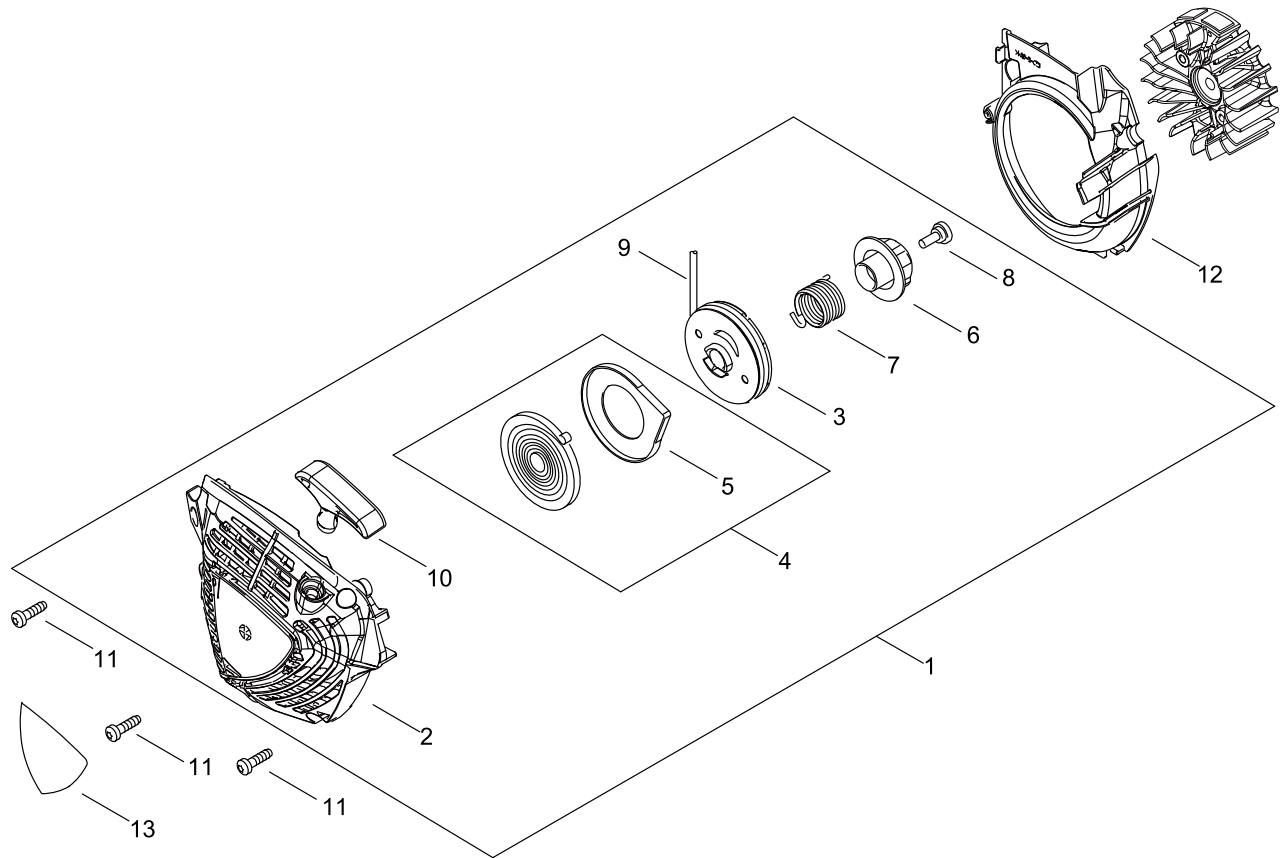
MUFFLER

Key No.	LV (+)	Parts Number	Parts Description	Qty	Standard	Class
1		P100-009160	MUFFLER ASY	1		
2	+	A310-000570	SCREEN, ARRESTOR	1	0.34X30	B
3	+	A313-002110	GUIDE, EXHAUST	1	T0.8 ID#2720	C
4	+	V805-000120	BOLT, TORX 5	1	TB-5*8 10.9	C
5		V104-002510	GASKET,EXHAUST	1		A
6		V805-000250	BOLT, TORX 5	2	TB-5*16 12.9	C

Class : Consumable class

A:Fast moving parts B:Semi-fast moving parts C:Slow moving parts D:Order only as needed

RECOIL STARTER



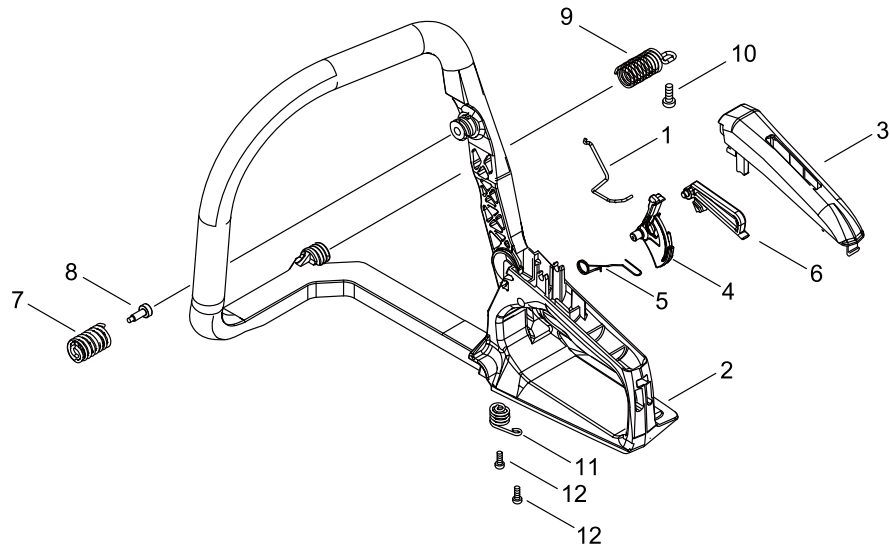
RECOIL STARTER

Key No.	LV (+)	Parts Number	Parts Description	Qty	Standard	Class
1		A051-003490	STARTER,RECOIL ASY	1		B
2	+	P022-055660	CASE,STARTER	1		
3	+	P022-055670	DRUM, STARTER	1		
4	+	P022-001330	SPRING KIT, REWIND	1		
5	++	P022-033280	SPRING CASE	1		
6	+	A507-000110	CATCHER,PAWL	1		C
7	+	V452-001320	SPRING,TORSION	1		B
8	+	177236-61830	SCREW	1		
9	+	P022-008440	ROPE, STARTER	1	3.5*900	
10	+	P022-005891	GRIP, STARTER	1		
11		V805-000010	BOLT, TORX 5	3	TT-5*20 DG 10.9	C
12		A172-003620	COVER,FAN	1		C
13		X547-003640	LABEL,ECHO	1	ECHO+CS-3510ES	D

Class : Consumable class

A:Fast moving parts B:Semi-fast moving parts C:Slow moving parts D:Order only as needed

HANDLE



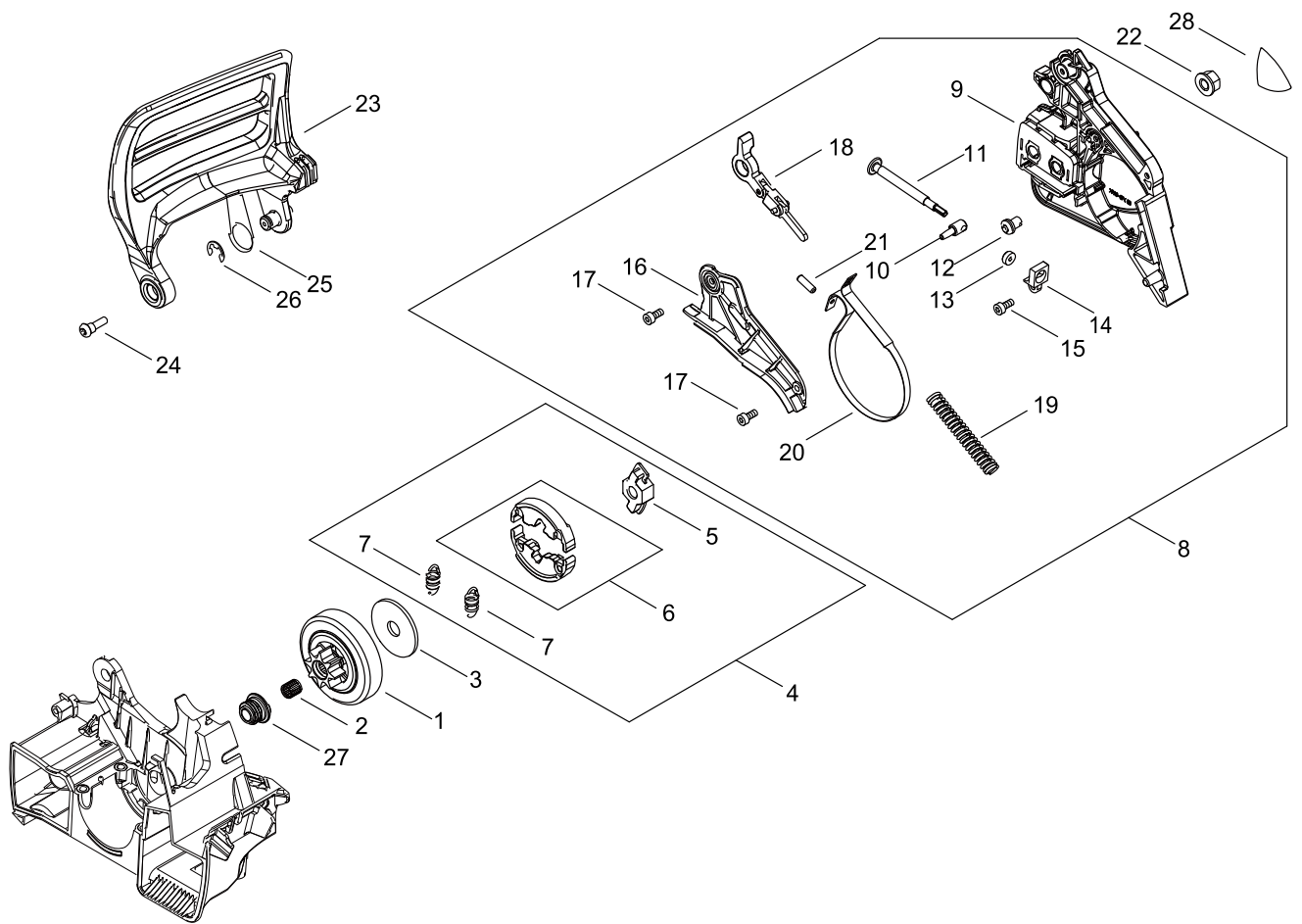
HANDLE

Key No.	LV (+)	Parts Number	Parts Description	Qty	Standard	Class
1		C454-000610	ROD, THROTTLE	1		C
2		C410-001500	HANDLE, REAR	1		C
3		C411-000280	LID,HANDLE	1		C
4		C450-001080	TRIGGER,THROTTLE	1		C
5		V452-000850	SPRING,TORSION	1		B
6		C460-000530	LOCKOUT,THROTTLE	1		C
7		V450-002370	SPRING,COMPRESSION	1		B
8		V805-000390	BOLT, TORX 5	1	TB-5*16 10.9	C
9		V450-002380	SPRING,COMPRESSION	1		B
10		V805-000000	BOLT, TORX 5	1	TT-5*16 DG 10.9	C
11		V450-002390	SPRING,COMPRESSION	1		B
12		V805-000000	BOLT, TORX 5	2	TT-5*16 DG 10.9	C

Class : Consumable class

A:Fast moving parts B:Semi-fast moving parts C:Slow moving parts D:Order only as needed

CHAIN BRAKE



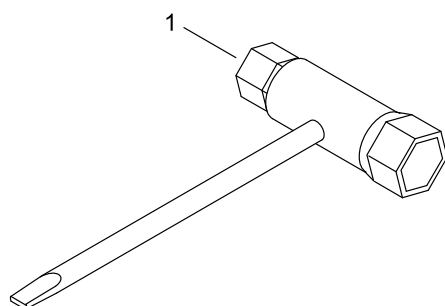
CHAIN BRAKE

Key No.	LV (+)	Parts Number	Parts Description	Qty	Standard	Class
1		A556-001880	DRUM, CLUTCH	1	3/8	B
2		V555-000170	BEARING,NEEDLE 10	1	8E-KV10*13*12.8	B
3		A551-000210	PLATE, CLUTCH	1		C
4		A056-000870	CLUTCH ASY	1		B
5	+	A552-000500	HUB, CLUTCH	1		B
6	+	P100-009170	CLUTCH SHOE SET	1		
7	+	A566-000350	SPRING, CLUTCH	2		B
8		P100-009580	GUARD, SPROCKET ASY	1		
9	+	C300-001190	GUARD, SPROCKET	1		C
10	+	C309-000030	TENSIONER,CHAIN	1		C
11	+	V203-000110	BOLT,5	1		C
12	+	V651-000001	GEAR,BEVEL	1		D
13	+	V651-000011	GEAR,BEVEL	1		D
14	+	V355-000140	COLLAR,8	1		C
15	+	V804-000000	BOLT, TORX 4	1	TT-4*12 DG 10.9	C
16	+	C345-000720	COVER,BRAKE	1		C
17	+	V804-000000	BOLT, TORX 4	2	TT-4*12 DG 10.9	C
18	+	C334-000100	CONNECTOR, BRAKE	1		C
19	+	V450-000070	SPRING,COMPRESSION	1		B
20	+	C328-000030	BAND,BRAKE	1		C
21	+	93050-30098	ROLLER	1	3*9.8	
22		V265-000200	NUT	2		C
23		C320-000590	LEVER, BRAKE	1		C
24		V203-002270	BOLT,5	1		C
25		V452-000250	SPRING,TORSION	1		B
26		900700-00008	RETAINING RING, EXTERNAL-E	1	CE-8	
27		V652-000280	GEAR,WORM	1		B
28		X502-001250	LABEL,ECHO	1	ECHO	D

Class : Consumable class

A:Fast moving parts B:Semi-fast moving parts C:Slow moving parts D:Order only as needed

ACCESSORIES





ACCESSORIES

Key No.	LV (+)	Parts Number	Parts Description	Qty	Standard	Class
1		X602-000080	TOOL,WRENCH	1	13*19 L180	D

Class : Consumable class

A:Fast moving parts B:Semi-fast moving parts C:Slow moving parts D:Order only as needed

GUIDE BAR, CHAIN

Pitch ピッチ (inch) (mm)	Gauge ゲージ (inch) (mm)	Length 長さ (cm)	Guide Bar ガイドバー		Saw Chain ソーチェーン		Hard Nose ハード ノーズ 	Sprocket Nose スプロケット ノーズ 
			Key №	Type 形式	Key №	Type 形式		
3/8 9.53	0.043 1.09	30	A1	C30S90-45SA- ET	A2	90PX-45E		●
3/8 9.53	0.050 1.27	30	B1	C30S91-47ML- EC	B2	91PX-47E		●
3/8 9.53	0.050 1.27	30	C1	C30S91-47ML- EC	C2	91VXL-47E		●
3/8 9.53	0.043 1.09	35	D1	C35S90-52SA- ET	D2	90PX-52E		●
3/8 9.53	0.050 1.27	35	E1	C35S91-53ML- EC	E2	91PX-53E		●
3/8 9.53	0.050 1.27	35	F1	C35S91-53ML- EC	F2	91VXL-53E		●
3/8 9.53	0.050 1.27	40	G1	C40S91-58AL- ET	G2	91PX-58E		●
3/8 9.53	0.050 1.27	40	H1	C40S91-58AL- ET	H2	91VXL-58E		●

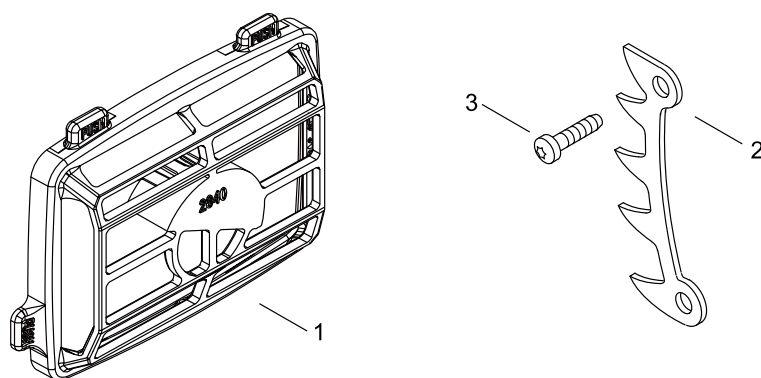
GUIDE BAR, CHAIN

Key No.	LV (+)	Parts Number	Parts Description	Qty	Standard	Class
A1		X122-000181	BAR,GUIDE 30	1	C30S90-45SA- ET	A
A2		X222-000150	CHAIN,SAW	1	90PX-45E 43	A
B1		X122-000341	BAR,GUIDE 30	1	C30S91-47ML- EC	A
B2		X222-000140	CHAIN,SAW	1	91PX-47E	A
C1		X122-000341	BAR,GUIDE 30	1	C30S91-47ML- EC	A
C2		X222-000130	CHAIN,SAW	1	91VXL-47E	A
D1		X123-000231	BAR,GUIDE 35	1	C35S90-52SA- ET	A
D2		X223-000150	CHAIN,SAW	1	90PX-52E	A
E1		X123-000551	BAR,GUIDE 35	1	C35S91-53ML- EC	A
E2		X223-000130	CHAIN,SAW	1	91PX-53E	A
F1		X123-000551	BAR,GUIDE 35	1	C35S91-53ML- EC	A
F2		X223-000080	CHAIN,SAW	1	91VXL-53E	A
G1		X124-000720	BAR,GUIDE 40	1	C40S91-58AL- ET	A
G2		X224-000070	CHAIN,SAW	1	91PX-58E	A
H1		X124-000720	BAR,GUIDE 40	1	C40S91-58AL- ET	A
H2		X224-000030	CHAIN,SAW	1	91VXL-58E	A

Class : Consumable class

A:Fast moving parts B:Semi-fast moving parts C:Slow moving parts D:Order only as needed

OPTION PARTS



OPTION PARTS

Key No.	LV (+)	Parts Number	Parts Description	Qty	Standard	Class
1		A226-002340	ELEMENT, AIR FILTER	1	NYLON MESH	A
2		C304-000000	SPIKE	1		C
3		V805-000000	BOLT, TORX 5	1	TT-5*16 DG 10.9	C

Class : Consumable class

A:Fast moving parts B:Semi-fast moving parts C:Slow moving parts D:Order only as needed

NUMERICAL PARTS INDEX

Part No	Part description	Page	Part No	Part description	Page	Part No	Part description	Page
100015-03931	CIRCLIP, PISTON PIN	2	A200-001260	INSULATOR, INTAKE	8	P003-006480	COVER, FUEL PUMP	10
100142-12330	KEY, WOODRUFF	6	A226-002340	ELEMENT, AIR FILTER	24	P003-006490	SHAFT-CHOKE(MOLD)	10
123110-03930	SCREW, PUMP COVER	10	A226-002350	ELEMENT, AIR FILTER	8	P022-001330	SPRING KIT, REWIND	14
123112-15030	DIAPHRAGM, FUEL PUMP	10	A238-000090	HOLDER, ELEMENT	8	P022-005891	GRIP, STARTER	14
123113-37530	SPRING, THROTTLE RTN	10	A241-000420	KNOB, CHOKE	4	P022-008440	ROPE, STARTER	14
123114-38830	SCREW	10	A310-000570	SCREEN, ARRESTOR	12	P022-033280	SPRING CASE	14
123122-03660	SPRING, METER. LEVER	10	A313-002110	GUIDE, EXHAUST	12	P022-055660	CASE,STARTER	14
123123-03930	LEVER, METERING	10	A356-000031	VALVE,CHECK	4	P022-055670	DRUM, STARTER	14
123125-15030	GASKET, FUEL PUMP	10	A369-000470	STRAINER, FUEL	4	P100-001900	STRAINER, OIL	4
123126-10631	SCREEN, INLET	10	A409-001180	ROTOR, MAGNETO	6	P100-009040	CAP ASY	4
123127-15030	RING	10	A411-001960	COIL, IGNITION	6	P100-009130	PISTON KIT	2
123130-02960	SCREW	10	A425-000000	SPARKPLUG	6	P100-009150	CRANKCASE KIT	2
123133-04260	SPRING, IDLE ADJUST	10	A426-000010	TERMINAL,SPARKPLUG	6	P100-009160	MUFFLER ASY	12
123134-04260	SCREW, IDLE ADJUST	10	A427-000013	CAP,SPARK PLUG	6	P100-009170	CLUTCH SHOE SET	18
123137-19830	VALVE, INLET NEEDLE	10	A443-000190	PLATE, CONTACT	8	P100-009200	CAP ASY	4
123138-03930	PIN, METERING LEVER	10	A444-000150	KNOB, SWITCH	8	P100-009570	CYLINDER COVER ASY	4
123140-03930	GASKET, M. DIAPHRAGM	10	A507-000110	CATCHER,PAWL	14	P100-009580	GUARD, SPROCKET ASY	18
123142-03930	COVER, M. DIAPHRAGM	10	A514-000020	PAWL	6	P100-009600	CRANKSHAFT ASY	2
123146-10631	PLUG, WELCH	10	A551-000210	PLATE, CLUTCH	18	P100-009610	COVER ENGINE ASY	4
123149-26030	WASHER	10	A552-000500	HUB, CLUTCH	18	V103-000500	GASKET,INTAKE	8
130338-32430	PLUG, COVER	4	A556-001880	DRUM, CLUTCH	18	V103-002160	GASKET,INTAKE	8
131051-19830	LINK	4	A566-000350	SPRING, CLUTCH	18	V103-002170	GASKET,INTAKE	8
132115-01462	GROMMET	4	C022-000190	AUTO-OILER ASSEMBLY	4	V104-002510	GASKET,EXHAUST	12
132115-46730	GROMMET, FUEL	4	C300-001190	GUARD, SPROCKET	18	V138-000030	GROMMET,OIL	4
150117-16430	SPACER	6	C304-000000	SPIKE	24	V186-000530	JOINT,PIPE	4
177234-35430	SPRING, RETURN	6	C309-000030	TENSIONER,CHAIN	18	V203-000110	BOLT,5	18
177236-61830	SCREW	14	C310-000110	CATCHER, CHAIN	4	V203-002250	BOLT,5	6
178810-03330	GROMMET	4	C320-000590	LEVER, BRAKE	18	V203-002260	BOLT,5	4
437210-30831	PIPE	4	C328-000030	BAND,BRAKE	18	V203-002270	BOLT,5	18
900515-00008	NUT, FLANGE	6	C334-000100	CONNECTOR, BRAKE	18	V265-000200	NUT	18
900700-00008	RETAINING RING, EXTERNAL-E	18	C345-000720	COVER,BRAKE	18	V306-000520	WASHER,CIRCULAR 8	2
900720-20029	O-RING	4	C410-001500	HANDLE, REAR	16	V355-000140	COLLAR,8	18
91449-04006	SCREW, TAPPING	4	C411-000280	LID,HANDLE	16	V450-000070	SPRING,COMPRESSION	18
93050-30098	ROLLER	18	C450-001080	TRIGGER,THROTTLE	16	V450-002370	SPRING,COMPRESSION	16
94095-36201	BEARING, BALL	2	C454-000610	ROD, THROTTLE	16	V450-002380	SPRING,COMPRESSION	16
A021-005280	CARBURETOR, DIAPHRAGM	8	C460-000530	LOCKOUT,THROTTLE	16	V450-002390	SPRING,COMPRESSION	16
A021-005280	CARBURETOR, DIAPHRAGM	10	P003-000310	VALVE THROTTLE	10	V452-000250	SPRING,TORSION	18
A035-000040	PUMP, FUEL	4	P003-000480	SHAFT,THROTTLE	10	V452-000850	SPRING,TORSION	16
A051-003490	STARTER,RECOIL ASY	14	P003-001510	LEVER-FAST IDLE	10	V452-001320	SPRING,TORSION	14
A056-000870	CLUTCH ASY	18	P003-001850	DIAPHRAGM, METERING	10	V471-001201	PIPE	4
A101-000160	RING, PISTON	2	P003-001960	VALVE, CHOKE	10	V471-001231	PIPE	4
A161-000420	DUCT, AIR	8	P003-002260	SPRING	10	V471-001241	PIPE	4
A172-003620	COVER,FAN	14	P003-004190	NEEDLE	10	V471-001281	PIPE	4
			P003-005400	SCREW	10	V485-003420	LEAD	8
			P003-006470	LEVER, THROTTLE	10	V485-003510	LEAD	6

NUMERICAL PARTS INDEX

Part No	Part description	Page
V490-001240	CLIP	4
V490-001730	CLIP	4
V505-000011	SEAL,OIL 12	2
V554-000030	BEARING,NEEDLE 9	2
V555-000170	BEARING,NEEDLE 10	18
V581-000600	RING,O	4
V607-000000	PIN,ENG 9	2
V651-000001	GEAR,BEVEL	18
V651-000011	GEAR,BEVEL	18
V652-000280	GEAR,WORM	18
V804-000000	BOLT, TORX 4	18
V804-000070	BOLT, TORX 4	8
V805-000000	BOLT, TORX 5	16
V805-000000	BOLT, TORX 5	24
V805-000010	BOLT, TORX 5	14
V805-000080	BOLT, TORX 5	8
V805-000120	BOLT, TORX 5	12
V805-000210	BOLT, TORX 5	2
V805-000210	BOLT, TORX 5	4
V805-000210	BOLT, TORX 5	6
V805-000250	BOLT, TORX 5	12
V805-000390	BOLT, TORX 5	16
X122-000181	BAR,GUIDE 30	22
X122-000341	BAR,GUIDE 30	22
X123-000231	BAR,GUIDE 35	22
X123-000551	BAR,GUIDE 35	22
X124-000720	BAR,GUIDE 40	22
X222-000130	CHAIN,SAW	22
X222-000140	CHAIN,SAW	22
X222-000150	CHAIN,SAW	22
X223-000080	CHAIN,SAW	22
X223-000130	CHAIN,SAW	22
X223-000150	CHAIN,SAW	22
X224-000030	CHAIN,SAW	22
X224-000070	CHAIN,SAW	22
X502-001250	LABEL,ECHO	18
X503-015560	LABEL,MODEL	4
X505-011340	LABEL,CAUTION	4
X547-003640	LABEL,ECHO	14
X602-000080	TOOL,WRENCH	20