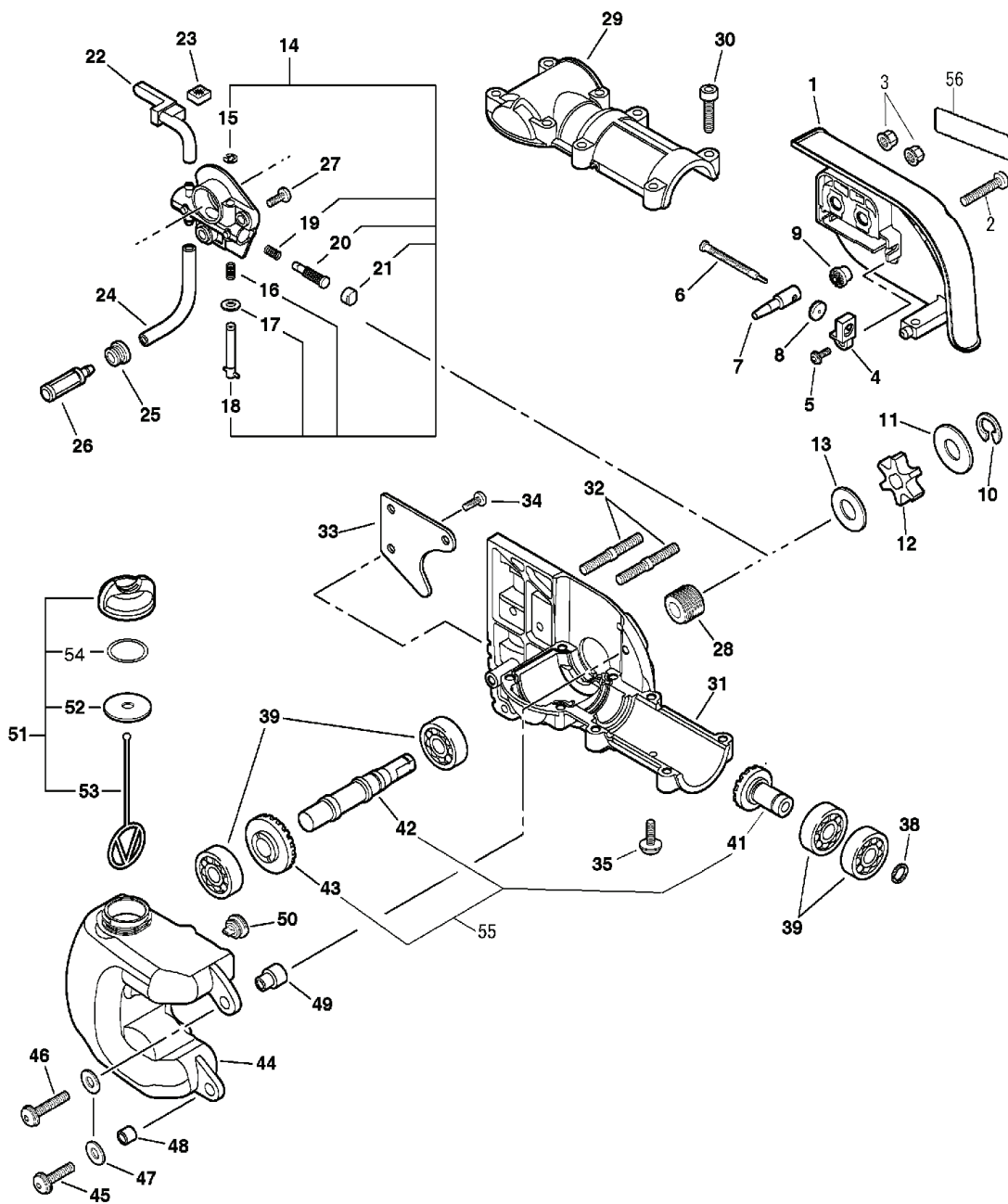


PAS-PP(999442-00832), 35002650-, Gear Case
 P014-000260-10Hb, 2010/05/31
 EU PAS PP 1. Gear Case



PAS-PP(999442-00832), 35002650-, Gear Case
P014-000260-10Hb, 2010/05/31

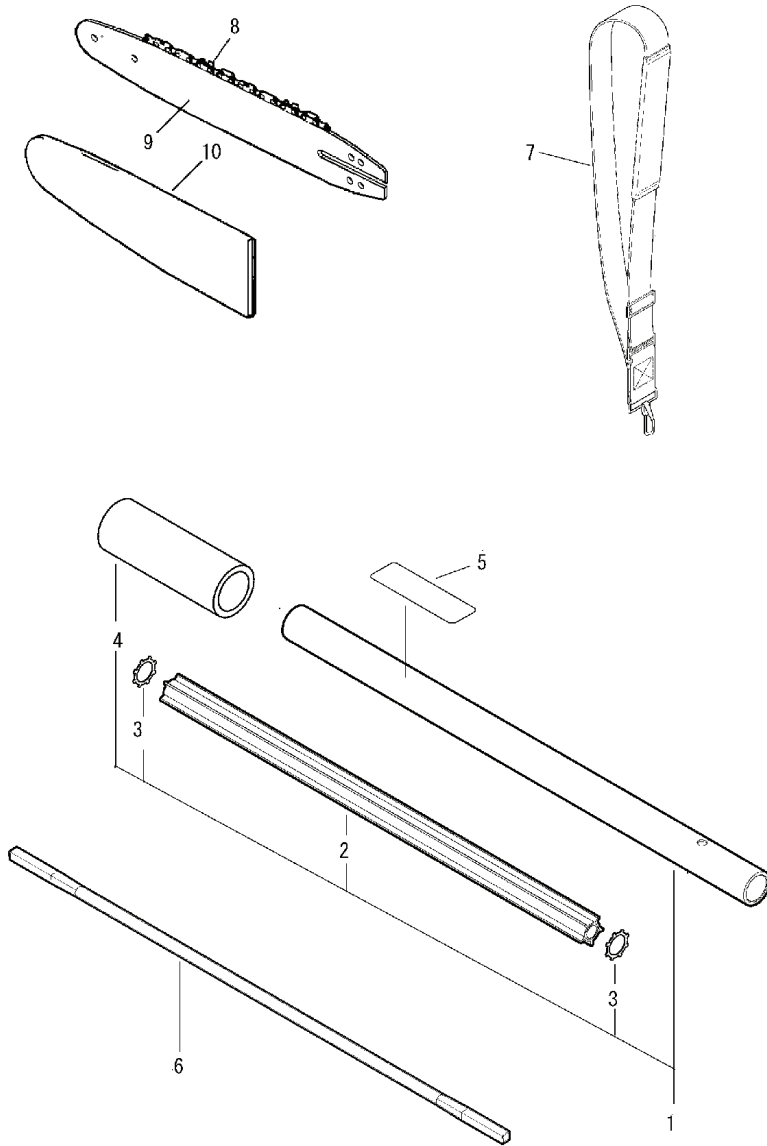
Key	Lv	Part no.	Part description	Quantity	Standard B	Note1	Note2
1		C300-000361	GUARD, SPROCKET	1			
2		V253-000180	SCREW,5	1	M5*20 PAN		
3		433019-03933	NUT, FLANGE 6	2	6		
4		V355-000140	COLLAR,8	1			
5		V252-000040	SCREW,4	1	4*8 PT SCREW		
6		V203-000041	BOLT,5	1			
7		C309-000030	TENSIONER,CHAIN	1			
8		V651-000310	GEAR,BEVEL	1	14 TEETH 3.0 SQ.		
9		V651-000320	GEAR,BEVEL	1	14 TEETH 10MM LG		
10		V583-000090	RING	1	EXTERNAL RING		
11		V307-000160	WASHER,CIRCULAR 10	1	10.2*29.5*T=1.2		
12		C580-000070	SPROCKET,DRIVE	1			
13		175014-39131	WASHER, CLUTCH	1	10.2*24.5*1.2		
14		C022-000010	OILER,ASM AUTO	1			
15	+	125327-15130	CLIP	1			
16	+	P022-010670	SPRING	1			
17	+	437029-37330	WASHER	1			
18	+	P022-010680	SCREW ASS'Y, ADJUST	1			
19	+	P022-010660	SPRING	1			
20	+	P022-010650	PLUNGER	1			
21	+	P022-010640	CAP, OIL PUMP	1			
22		V470-000180	PIPE	1			
23		437244-39130	PAD, FORM	1			
24		130110-12330	PIPE, IMPULSE	1	3*6*70L		
25		132115-01461	GROMMET	1			
26		436205-02832	STRAINER, OIL	1			
27		V253-000200	SCREW,5	2	M5*10 PAN MS		
28		437063-38330	GEAR, WORM	1			
29		C531-000010	CASE,GEAR	1	25.5		
30		V253-000240	SCREW,5	8	M5*25 PAN MS		
31		C531-000460	CASE,GEAR	1			
32	+	V224-000040	BOLT,STUD 6	2	15MM*19MM M6		
33		C649-000140	HOOK	1	BRANCH HOOK		
34		V253-000200	SCREW,5	3	M5*10 PAN MS		
35		V253-000200	SCREW,5	2	M5*10 PAN MS		
38		900706-00012	CIRCLIP 12	2	WR-12		

PAS-PP(999442-00832), 35002650-, Gear Case
P014-000260-10Hb, 2010/05/31

Key	Lv	Part no.	Part description	Quantity	Standard B	Note1	Note2

39		94052-06001	BEARING BALL	4	PEER LLU,DD U 2RS		
55		P021-036430	GEAR, SHAFT KIT	1			
41	+	V651-000230	GEAR,BEVEL	1	MG 80.2310.00 1		
42	+	C534-000430	SHAFT, GEAR	1			
43	+	V651-000201	GEAR,BEVEL	1	MG 0600.2259		
44		C200-000080	TANK, OIL	1			
45		V253-000230	SCREW,5	2	M5*20 PAN MS		
46		V253-000240	SCREW,5	1	M5*25 PAN MS		
47		900603-00005	WASHER 5	2	5.5*12*0.8		
48		131045-28230	COLLAR	2			
49		V354-000010	COLLAR,6	1			
50		131314-06320	VALVE, CHECK	1			
51		P021-005591	CAP ASY	1			
52	+	900720-00018	O-RING 18	1	P-18		
53	+	A365-000050	CONNECTOR,CAP	1			
54	+	436012-37830	GASKET, CIRCULAR	1			
56		X502-000600	LABEL,ECHO	1	48MM*15MM + ECHO		

PAS-PP(999442-00832), 35002650-, Main Pipe, Guide Bar & Chain, Harness
P014-000260-10Hb, 2010/05/31
EU PAS PP 2. Main Pipe, Guide Bar & Chain, Harness



PAS-PP(999442-00832), 35002650-, Main Pipe, Guide Bar & Chain, Harness
 P014-000260-10Hb, 2010/05/31

Key	Lv	Part no.	Part description	Quantity	Standard B	Note1	Note2
1		610206-24561	PIPE, MAIN	1			
2	+	610217-24560	LINER, FLEXBLE	1			
3	+	900038-00100	WASHER,EXTERNAL	2			
4	+	351012-21560	GRIP, HANDLE	1			
5	+	890160-22661	LABEL, CAUTION	1	PVC FILM		
6		610013-24561	SHAFT, FLEXIBLE	1			
7		C062-000100	HARNESS,SHOULDER	1			
8		431610-22461	CHAIN,SAW	1	91VX39CQ		
9		X121-000060	BAR,GUIDE 25	1	10A0CD3739		
10		X490-000060	SCABBARD,CHAIN	1			