

CS-7310SX

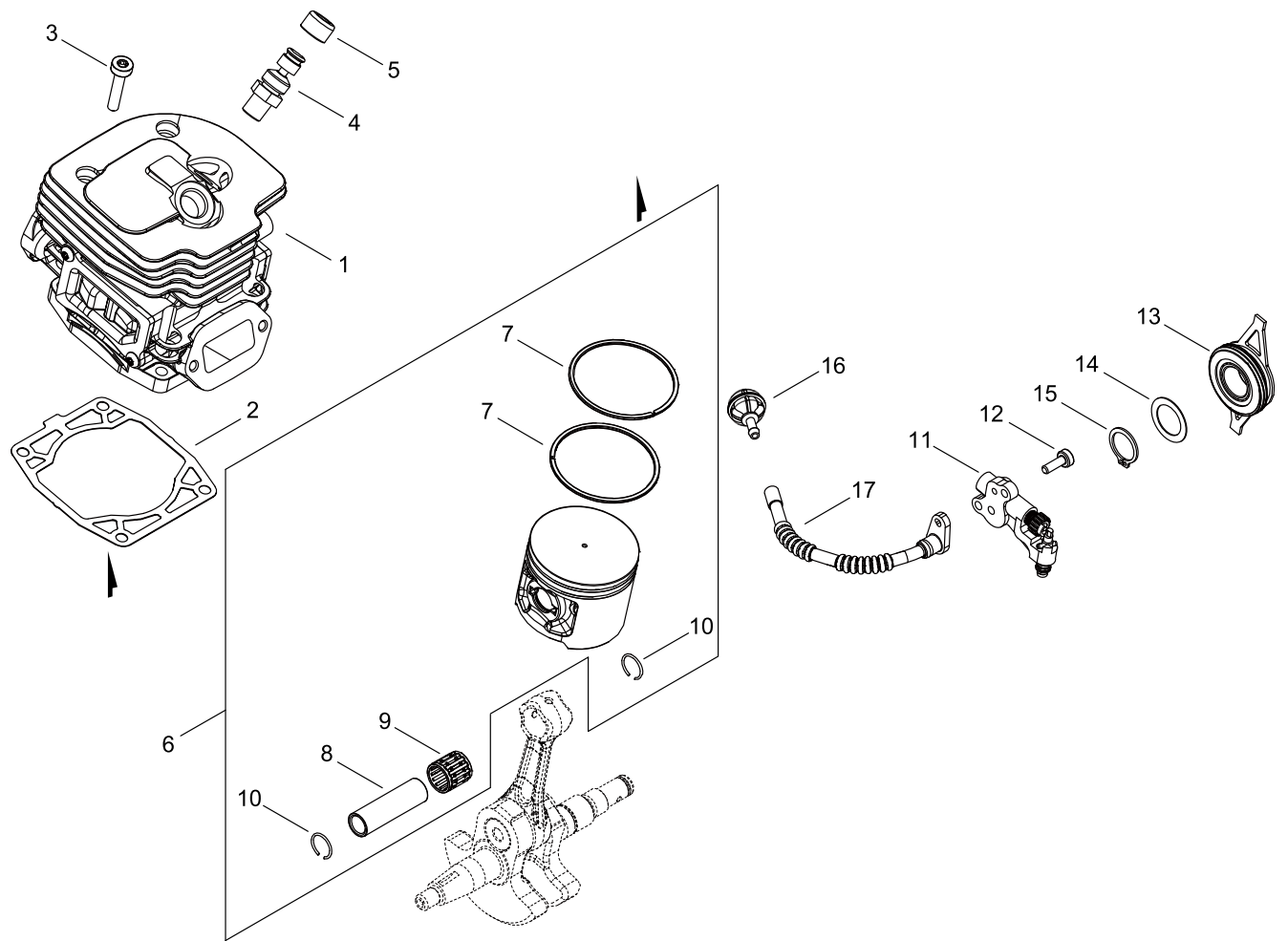
Serial number: 38000001-38999999

Last update date: 09/10/2020

TABLE OF CONTENTS

CYLINDER, PISTON	1
CRANKCASE	3
MAGNETO.....	5
AIR CLEANER, CARBURETOR.....	7
CARBURETOR.....	9
MUFFLER	11
RECOIL STARTER.....	13
HANDLE	15
CHAIN BRAKE.....	19
ACCESSORIES	21
GUIDE BAR, CHAIN	23

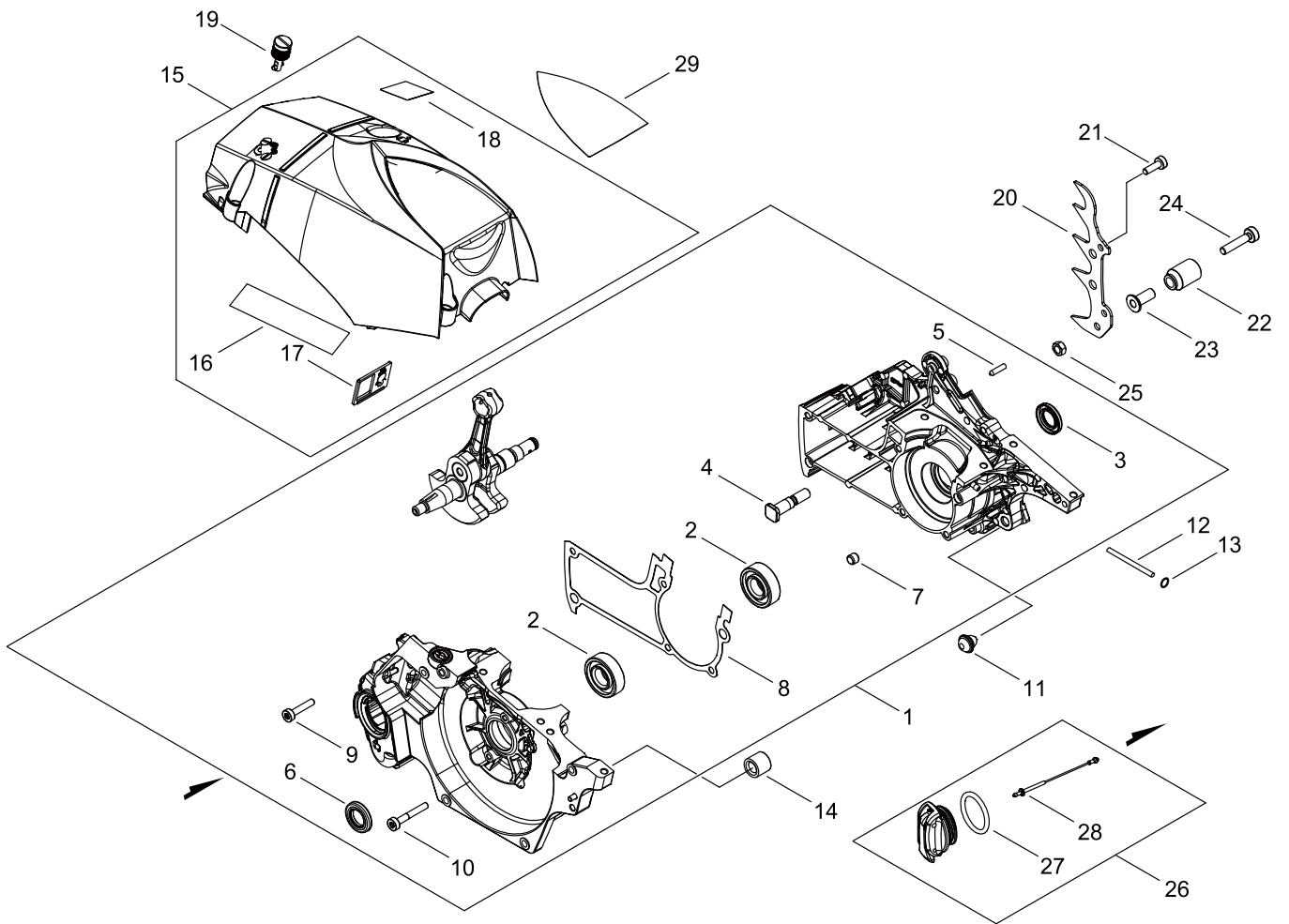
CYLINDER, PISTON



CYLINDER, PISTON

Key No.	LV (+)	Part No	Description	Qty	Standard
1		P100-009400	CYLINDER ASY	1	
2		V100-000900	GASKET,CYL	1	T:0.5
3		V805-000220	BOLT, TORX 5	4	TB-5*25 12.9
4		A014-000130	RELEASE ASY., COMP.	1	
5		V141-000090	GROMMET,PLUG	1	
6		P100-009410	PISTON KIT	1	
7	+	A101-000790	RING, PISTON	2	51*1.2*2.1
8	+	V610-000040	PIN,ENG 12	1	12*9*39.8
9	+	V557-000080	BEARING,NEEDLE 12	1	12*15*14.8/15
10	+	V580-000000	RING,END	2	
11		C022-000121	AUTO-OILER ASSEMBLY	1	
12		V804-000050	BOLT, TORX 4	2	TB-4*12 10.9
13		V652-000300	GEAR,WORM	1	
14		V311-000090	WASHER,CIRCULAR 16-1	1	15.5*22.5*0.5
15		900701-00015	RETAINING RING, EXTERNAL	1	CS-15
16		436205-14730	STRAINER, OIL	1	
17		V470-002370	PIPE	1	

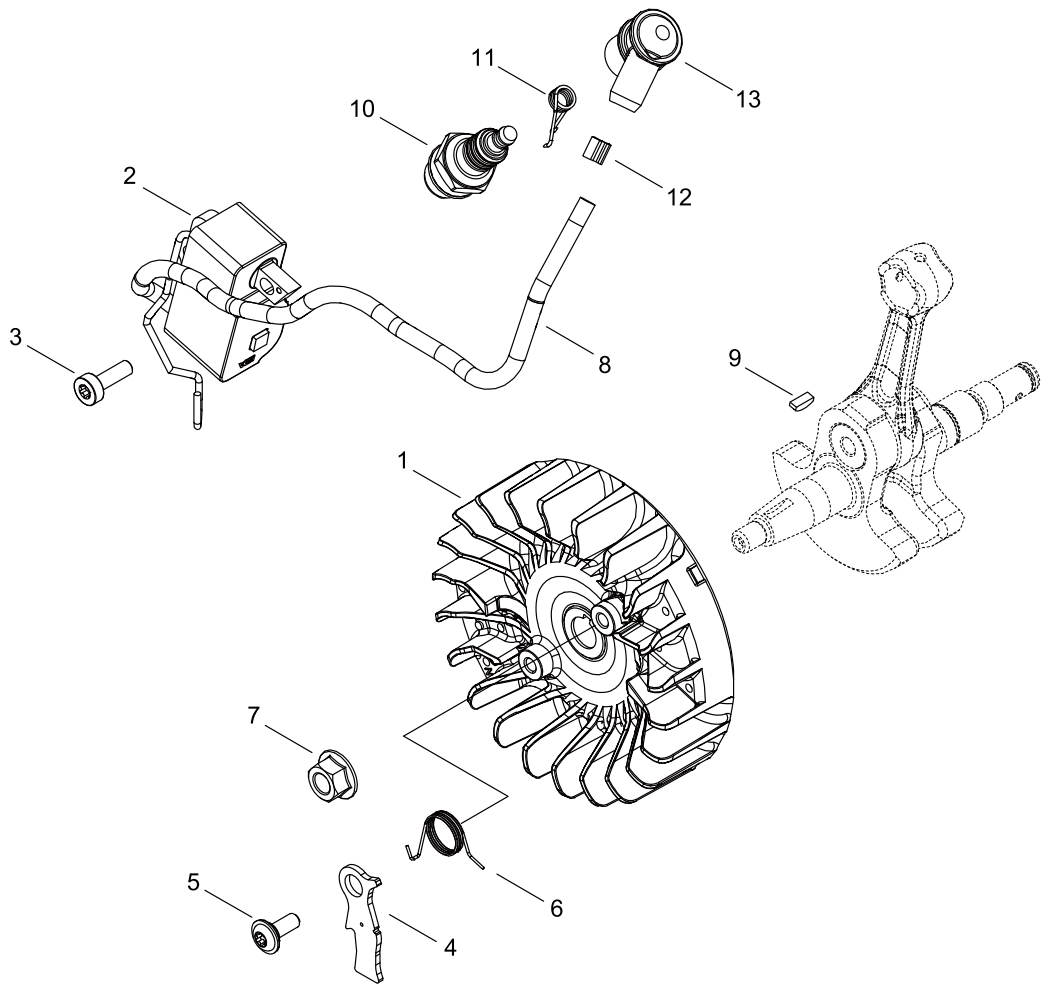
CRANKCASE



CRANKCASE

Key No.	LV (+)	Part No	Description	Qty	Standard
1		P100-010230	CRANKCASE SET	1	
2	+	94036-46202	BEARING, BALL	2	6202
3	+	V508-000140	SEAL,OIL 15	1	15*26*4.4
4	+	V225-000380	BOLT,STUD 8	2	
5	+	A356-000120	ELEMENT	1	
6	+	V508-000140	SEAL,OIL 15	1	15*26*4.4
7	+	101522-16430	PIN, DOWEL	2	
8	+	V102-000350	GASKET,CRANKCASE	1	
9	+	V805-000220	BOLT, TORX 5	2	TB-5*25 12.9
10	+	V805-000290	BOLT, TORX 5	4	TB-5*35 12.9
11		V420-005590	CUSHION	1	
12		V470-002420	PIPE	1	3*6(8)*130
13		V490-000500	CLIP	1	
14		V420-005600	CUSHION	1	
15		P100-010080	CYLINDER COVER ASY	1	
16	+	X502-001060	LABEL,ECHO	1	
17	+	A219-000040	SHUTTER,AIR	1	
18	+	890345-39231	LABEL,CAUTION	1	
19		V641-000270	PIN,SNAP	3	
20		C304-000350	SPIKED	1	
21		V805-000250	BOLT, TORX 5	2	TB-5*16 12.9
22		C310-000030	CATCHER,CHAIN	1	
23		V354-000650	COLLAR,6	1	
24		V856-000010	BOLT,TORX 6	1	12.9
25		900560-00006	NUT, LOCK	1	6
26		P100-008410	CAP,OIL ASY	1	
27	+	900720-20029	O-RING	1	P-29
28	+	A365-000150	CONNECTOR,CAP	1	
29		X503-015470	LABEL,MODEL	1	CS-7310SX COVER

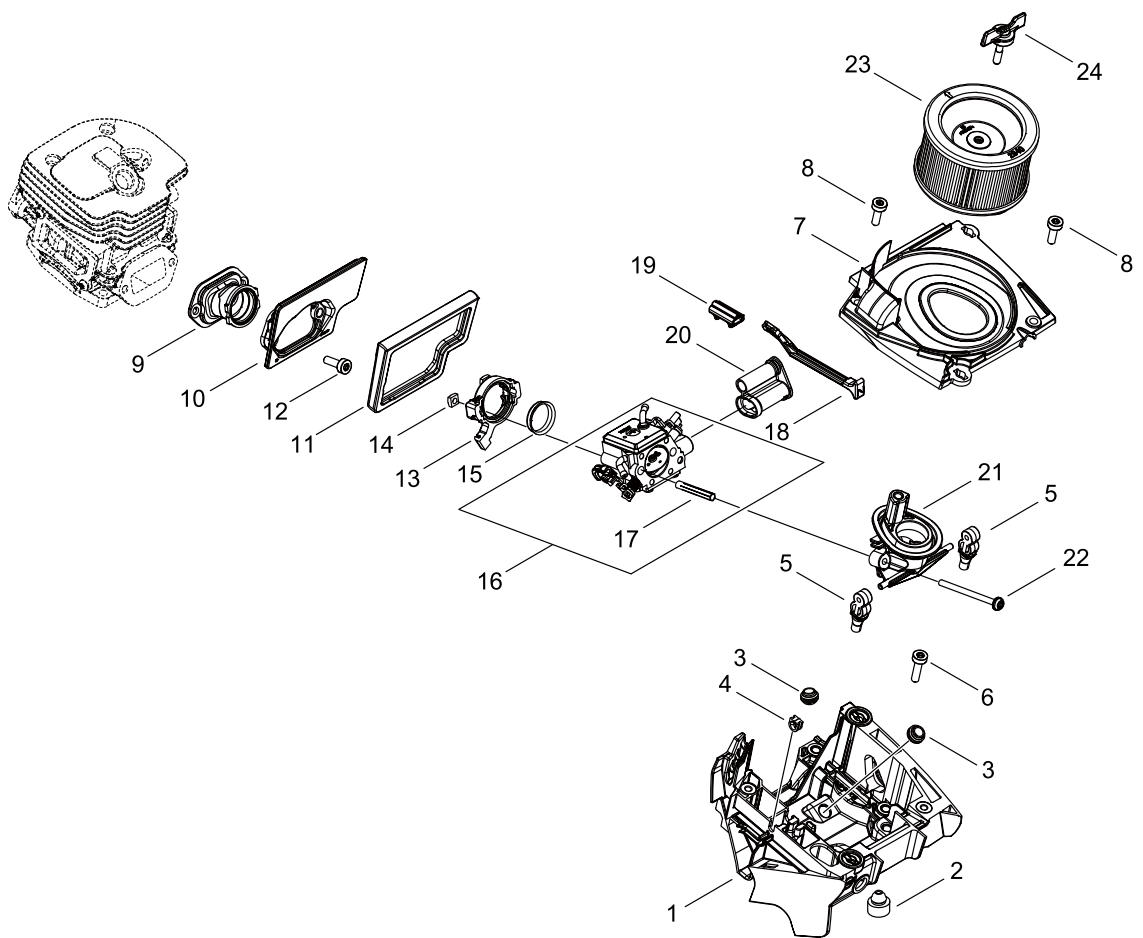
MAGNETO



MAGNETO

Key No.	LV (+)	Part No	Description	Qty	Standard
1		A409-001420	ROTOR, MAGNETO	1	AG12
2		A411-001950	COIL, IGNITION	1	
3		V805-000150	BOLT, TORX 5	2	TB-5*16 10.9
4		A514-000350	PAWL	2	
5		V203-002250	BOLT,5	2	
6		V452-001950	SPRING,TORSION	2	
7		900515-00008	NUT, FLANGE	1	8
8		V475-009560	TUBE	1	SSG-1 6*7.2*290
9		100142-30830	KEY, WOODRUFF	1	
10		A425-000080	SPARKPLUG	1	BPMR8Y-5
11		A426-000050	SPRING SPARK PLUG	1	
12		V495-003900	BAND	1	560700
13		A427-000190	CAP,SPARK PLUG	1	

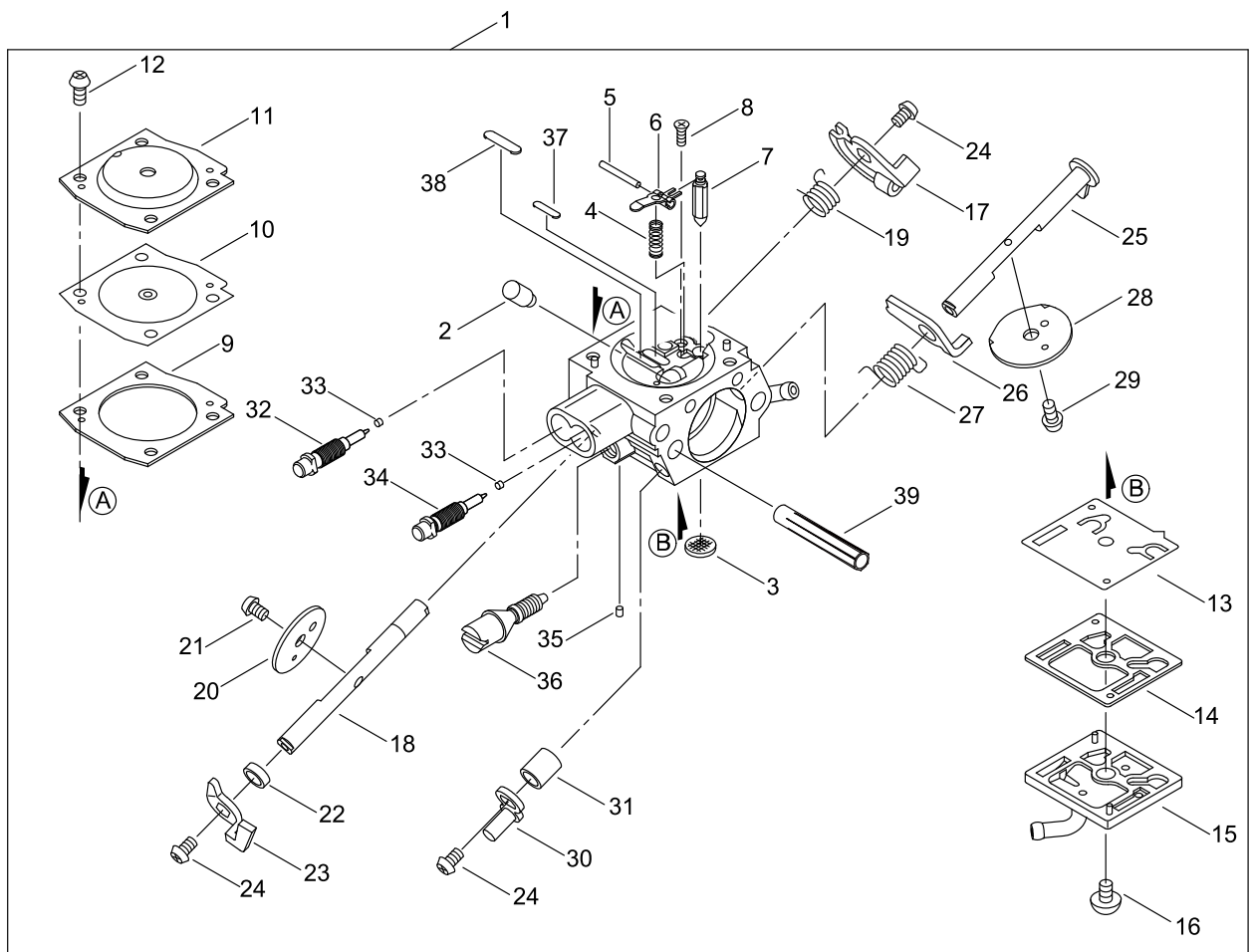
AIR CLEANER, CARBURETOR



AIR CLEANER, CARBURETOR

Key No.	LV (+)	Part No	Description	Qty	Standard
1		A220-000090	CASE,CARBURETOR	1	
2		V420-003800	CUSHION	1	
3		V137-000160	GROMMET,FUEL	2	
4		V136-000140	GROMMET,LEAD	1	
5		V420-005620	CUSHION	2	
6		V835-000030	BOLT, TORX 5	4	TB-5*20 10.9
7		A222-000000	LID,CARB CASE	1	
8		V805-000150	BOLT, TORX 5	2	TB-5*16 10.9
9		A202-000370	BELLOWS, INTAKE	1	
10		A200-001281	INSULATOR, INTAKE	1	
11		V420-005610	CUSHION	1	
12		V805-000150	BOLT, TORX 5	2	TB-5*16 10.9
13		A206-000070	HOLDER, BELLOWS	1	
14		92140-04000	NUT, SQUARE	2	4
15		V361-000580	COLLAR,20	1	20.2*23.3*5
16		P200-001230	CARBURETOR ASY	1	
17	+	V352-000340	COLLAR,4	2	
18		A241-000410	KNOB, CHOKE	1	
19		V130-000190	GROMMET,CHOKE	1	
20		V131-000230	GROMMET,NEEDLE	1	
21		A204-000280	ELBOW, CARBURETOR	1	
22		V202-000790	BOLT,4	2	M4*55
23		A226-002370	ELEMENT, AIR FILTER	1	#2940
24		M613-000330	KNOB	1	

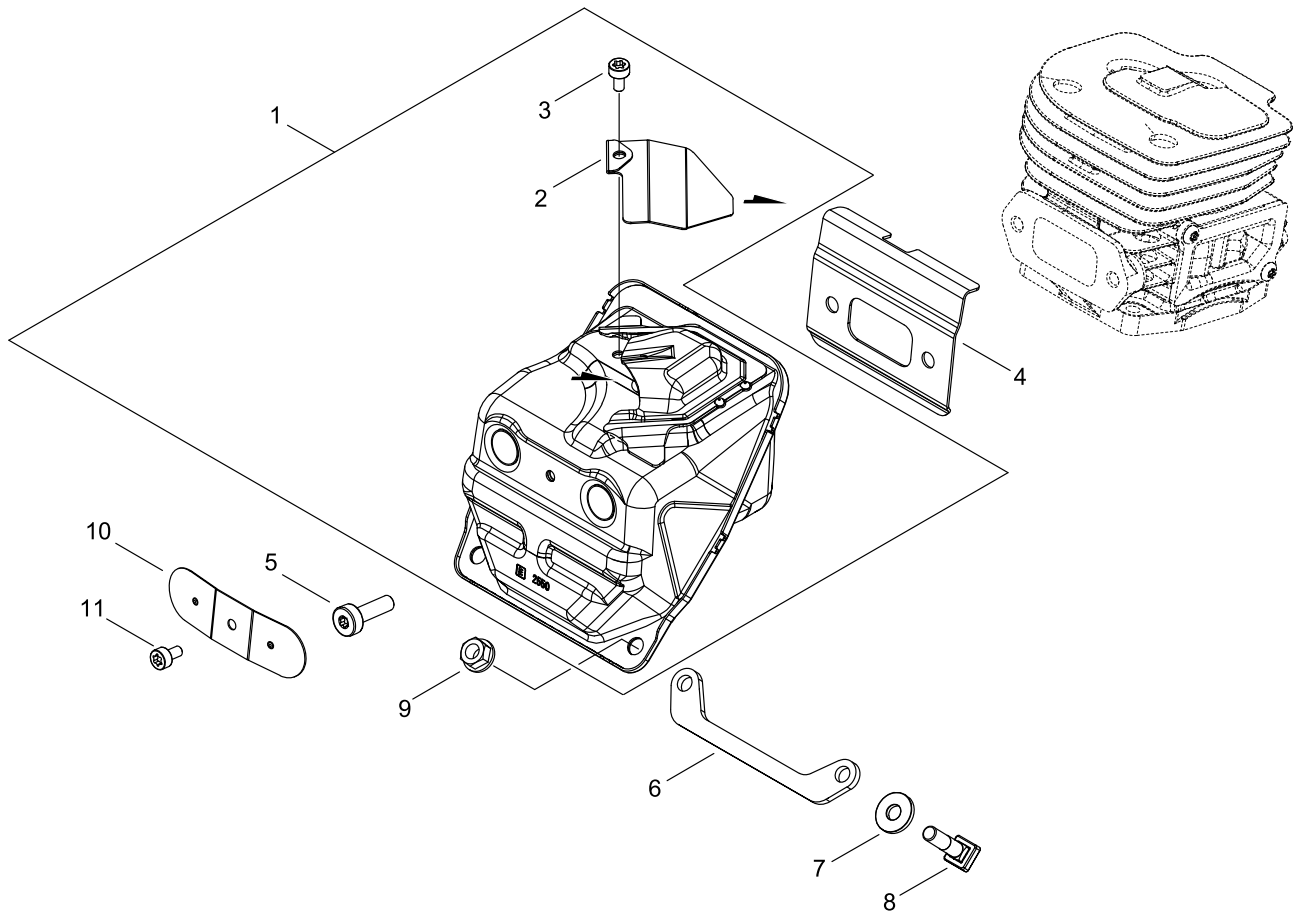
CARBURETOR



CARBURETOR

Key No.	LV (+)	Part No	Description	Qty	Standard
1		P200-001230	CARBURETOR ASY	1	
2	+	P005-004390	NOZZLE ASY	1	
3	+	P005-000860	SCREEN, FUEL INLET	1	
4	+	P005-004400	METERING SPRING	1	
5	+	125338-13930	PIN, METERING ARM	1	
6	+	P005-004560	LEVER, METERING	1	
7	+	125337-06960	VALVE,INLET NEEDLE	1	
8	+	P005-004550	SCREW	1	
9	+	P005-004570	GASKET, METERING	1	
10	+	P005-004580	DIAPHRAGM ,METERING	1	
11	+	P005-001850	COVER, DIAPHRAGM	1	
12	+	125344-52130	SCREW	4	
13	+	P005-004590	DIAPHRAGM, PUMP	1	
14	+	P005-001430	GASKET, PUMP	1	
15	+	P005-004410	PUMP COVER ASY	1	
16	+	P005-004420	SCREW	1	
17	+	P005-004430	THROTTLE LEVER	1	
18	+	P005-004440	THROTTLE SHAFT	1	
19	+	P005-004450	THROTTLE SPRING	1	
20	+	P005-004460	VALVE	1	
21	+	P005-003170	SCREW	1	
22	+	P005-004600	COLLAR	1	
23	+	P005-004470	THROTTLE LEVER	1	
24	+	125348-13930	SCREW	3	
25	+	P005-004480	CHOKE SHAFT	1	
26	+	P005-004490	CHOKE LEVER	1	
27	+	P005-004610	SPRING, CHOKE RETURN	1	
28	+	P005-004500	VALVE	1	
29	+	125314-51230	SCREW	1	3*4.5
30	+	P005-004510	CHOKE LEVER	1	
31	+	P005-004620	COLLAR	1	
32	+	P005-004660	SCREW	1	
33	+	125363-12820	RETAINER	2	
34	+	P005-004670	SCREW	1	
35	+	125378-13930	PIECE, FRICTION	1	
36	+	P005-004540	SCREW	1	
37	+	125345-15130	PLUG, WELCH	1	
38	+	P005-000410	PLUG, WELCH	1	
39	+	V352-000340	COLLAR,4	2	

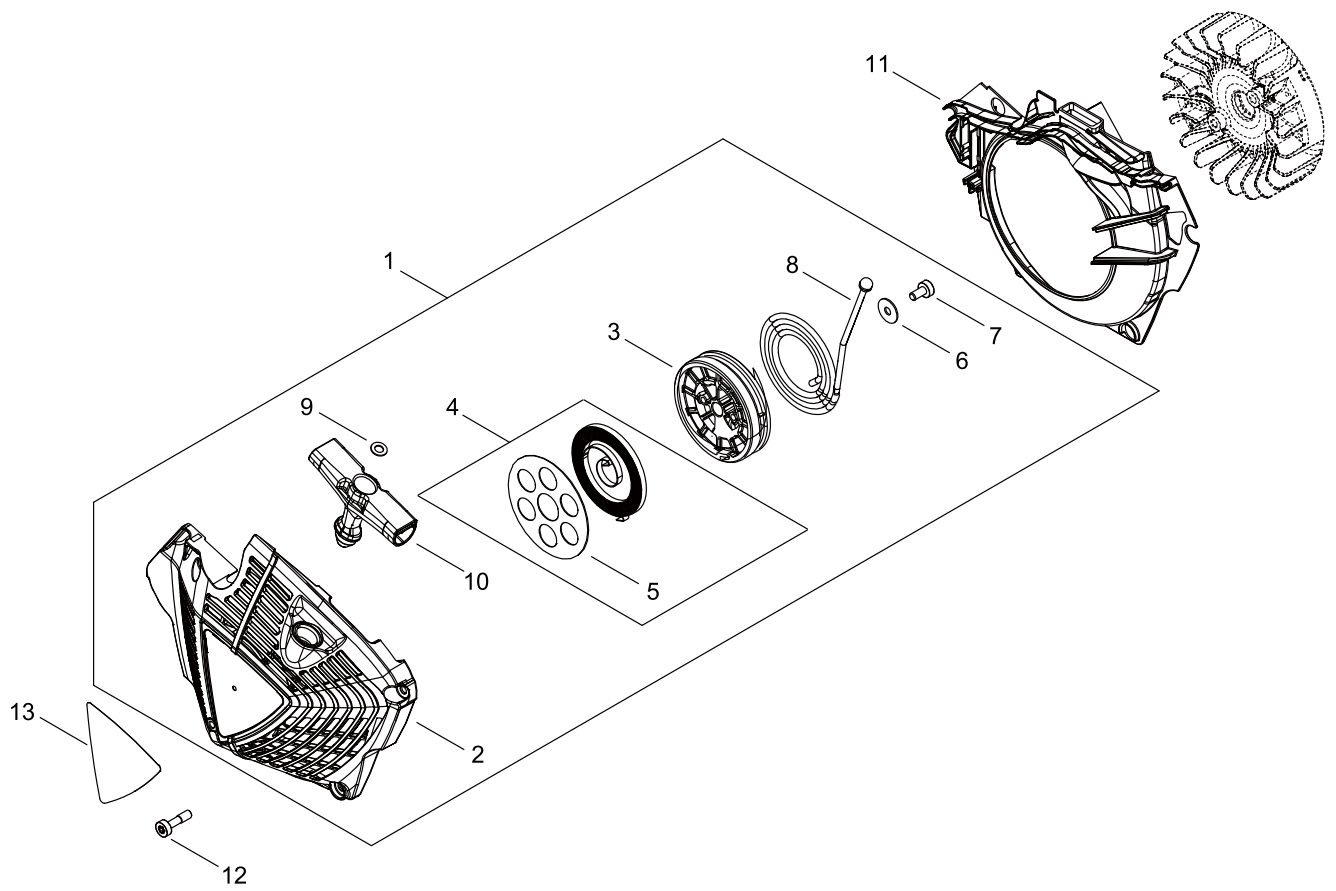
MUFFLER



MUFFLER

Key No.	LV (+)	Part No	Description	Qty	Standard
1		P100-009450	MUFFLER ASY	1	
2	+	A310-000580	SCREEN, ARRESTOR	1	
3	+	V804-000030	BOLT, TORX 4	1	TB-4*8 10.9
4		V104-002540	GASKET,EXHAUST	1	T:1.0
5		V806-000010	BOLT, TORX 6	2	TB-6*20 10.9
6		V150-004750	PLATE,EYE	1	T:3.0
7		V304-000540	WASHER,CIRCULAR 6	2	6.3*16*2
8		V204-001880	BOLT,6	2	
9		900515-00006	NUT, FLANGE	2	6
10		A301-000100	PLATE, MUFFLER	1	T:0.5
11		V804-000030	BOLT, TORX 4	1	TB-4*8 10.9

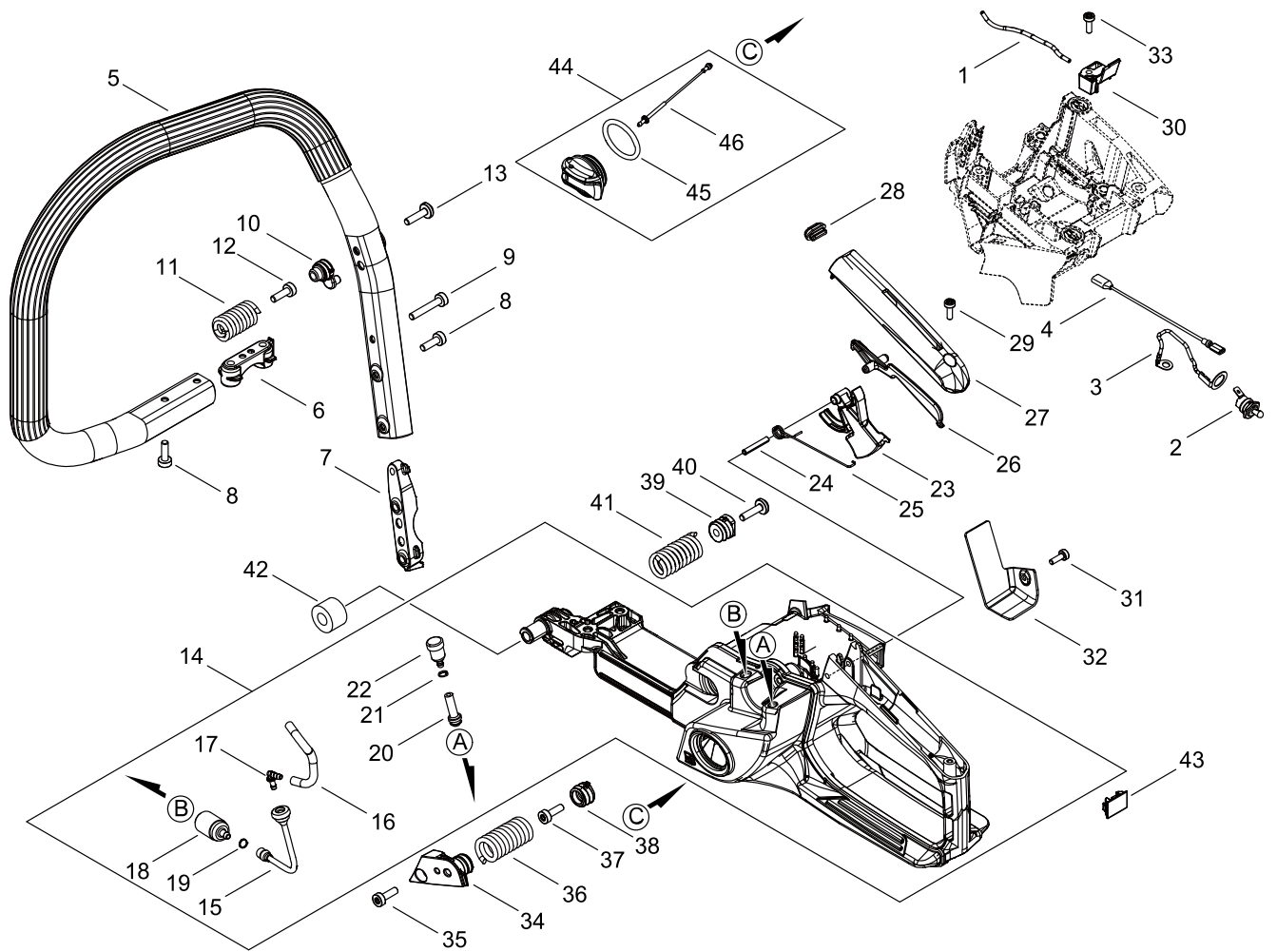
RECOIL STARTER



RECOIL STARTER

Key No.	LV (+)	Part No	Description	Qty	Standard
1		A051-003540	STARTER,RECOIL ASY	1	
2	+	P100-009460	CASE,STARTER	1	
3	+	A506-000570	REEL, ROPE	1	
4	+	P100-009470	SPRING KIT, REWIND	1	
5	++	A503-000080	PLATE, STARTER	1	
6	+	177214-02830	WASHER	1	5.2*16*1.0T
7	+	V805-000130	BOLT, TORX 5	1	TB-5*10 10.9
8	+	A509-000510	ROPE	1	
9	+	900600-00005	WASHER	1	5
10	+	A511-000300	GRIP,STARTER	1	
11		A172-003650	COVER,FAN	1	
12		V805-000410	BOLT, TORX 5	4	TB-5*20 10.9
13		X547-003600	LABEL,ECHO	1	

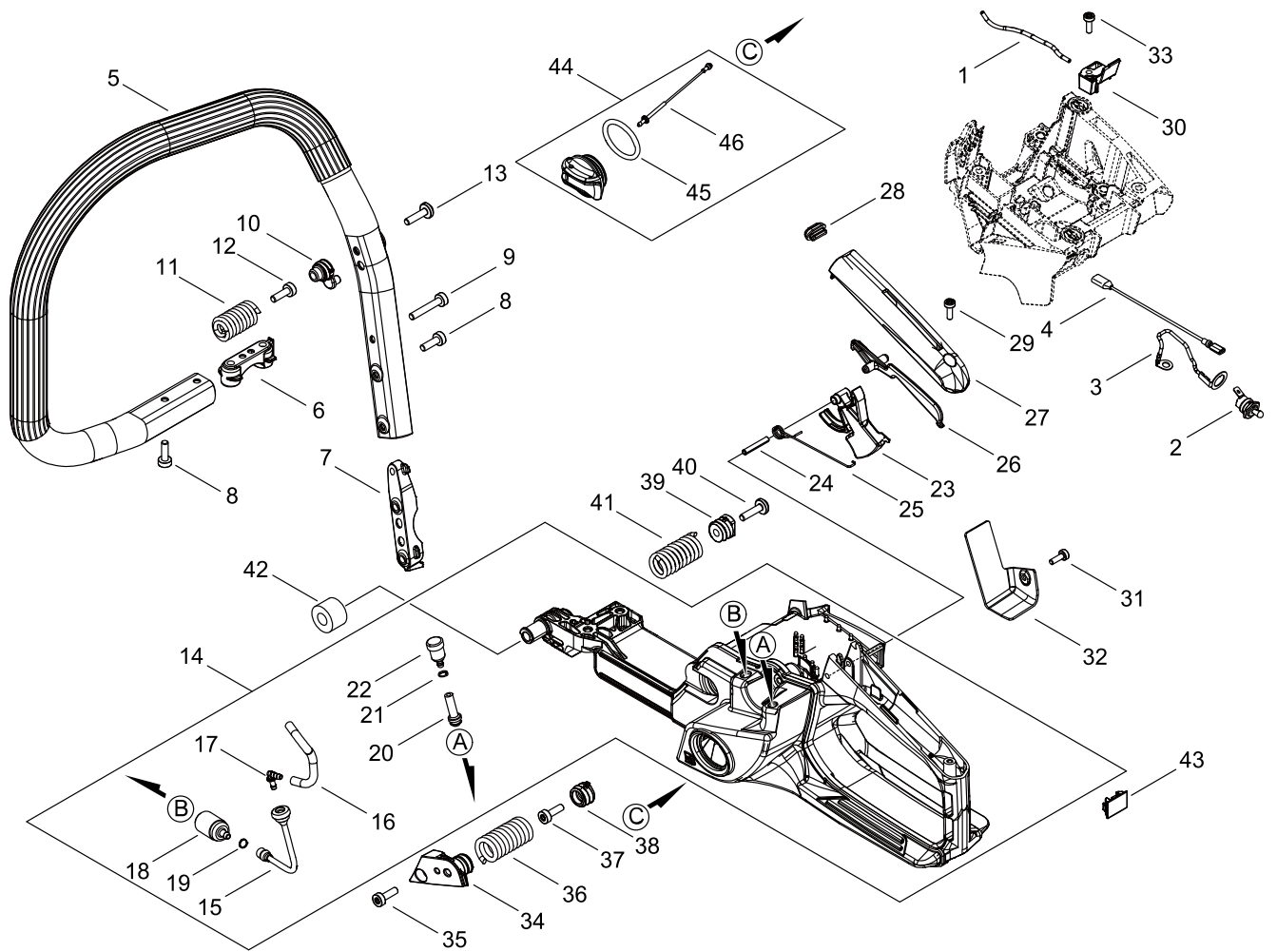
HANDLE



HANDLE

Key No.	LV (+)	Part No	Description	Qty	Standard
1		V430-005290	CABLE,BOWDEN	1	
2		A440-003490	SWITCH, ON OFF	1	
3		V485-003490	LEAD	1	L90
4		V485-003500	LEAD	1	L312
5		C400-001750	HANDLE, FRONT	1	
6		C405-000650	BRACKET,HANDLE	1	
7		C405-000660	BRACKET,HANDLE	1	
8		V835-000000	BOLT, TORX 5	4	
9		V805-000360	BOLT, TORX 5	1	TB-5*30 ALL10.9
10		V456-000460	HOLDER,SPRING	1	
11		V450-002410	SPRING,COMPRESSION	1	
12		V835-000000	BOLT, TORX 5	1	
13		V806-000000	BOLT, TORX 6	1	TT-6*20 DG 10.9
14		P100-009380	HANDLE ASY, REAR	1	
15	+	V470-001991	PIPE	1	1.8*4*105
16	+	V471-005680	PIPE	1	3.5*6*75
17	+	V186-000530	JOINT,PIPE	1	
18	+	A369-000460	STRAINER, FUEL	1	
19	+	V490-000500	CLIP	1	
20	+	V470-002410	PIPE	1	
21	+	V490-001230	CLIP	1	
22	+	131300-56431	VENT ASSEMBLY, FUEL	1	
23		C450-001120	CONTROL, THROTTLE	1	
24		900345-40025	PIN, SPRING	1	4*25
25		V452-001970	SPRING,TORSION	1	
26		C460-000660	LOCKOUT, THROTTLE	1	
27		C411-000300	LID,HANDLE	1	
28		V420-005580	CUSHION	1	
29		V804-000000	BOLT, TORX 4	1	TT-4*12 DG 10.9
30		C480-000240	GUIDE, CABLE	1	
31		V804-000000	BOLT, TORX 4	1	TT-4*12 DG 10.9
32		C302-000100	PAD, GUARD	1	
33		V804-000000	BOLT, TORX 4	1	TT-4*12 DG 10.9
34		V456-000450	HOLDER,SPRING	1	
35		V835-000000	BOLT, TORX 5	1	
36		V450-002420	SPRING,COMPRESSION	1	
37		V835-000000	BOLT, TORX 5	1	
38		V456-000430	HOLDER,SPRING	1	M SIDE 奥
39		V456-000440	HOLDER,SPRING	1	
40		V806-000000	BOLT, TORX 6	1	TT-6*20 DG 10.9
41		V450-002430	SPRING,COMPRESSION	1	
42		V404-000260	CUSHION,10	1	NOK U704

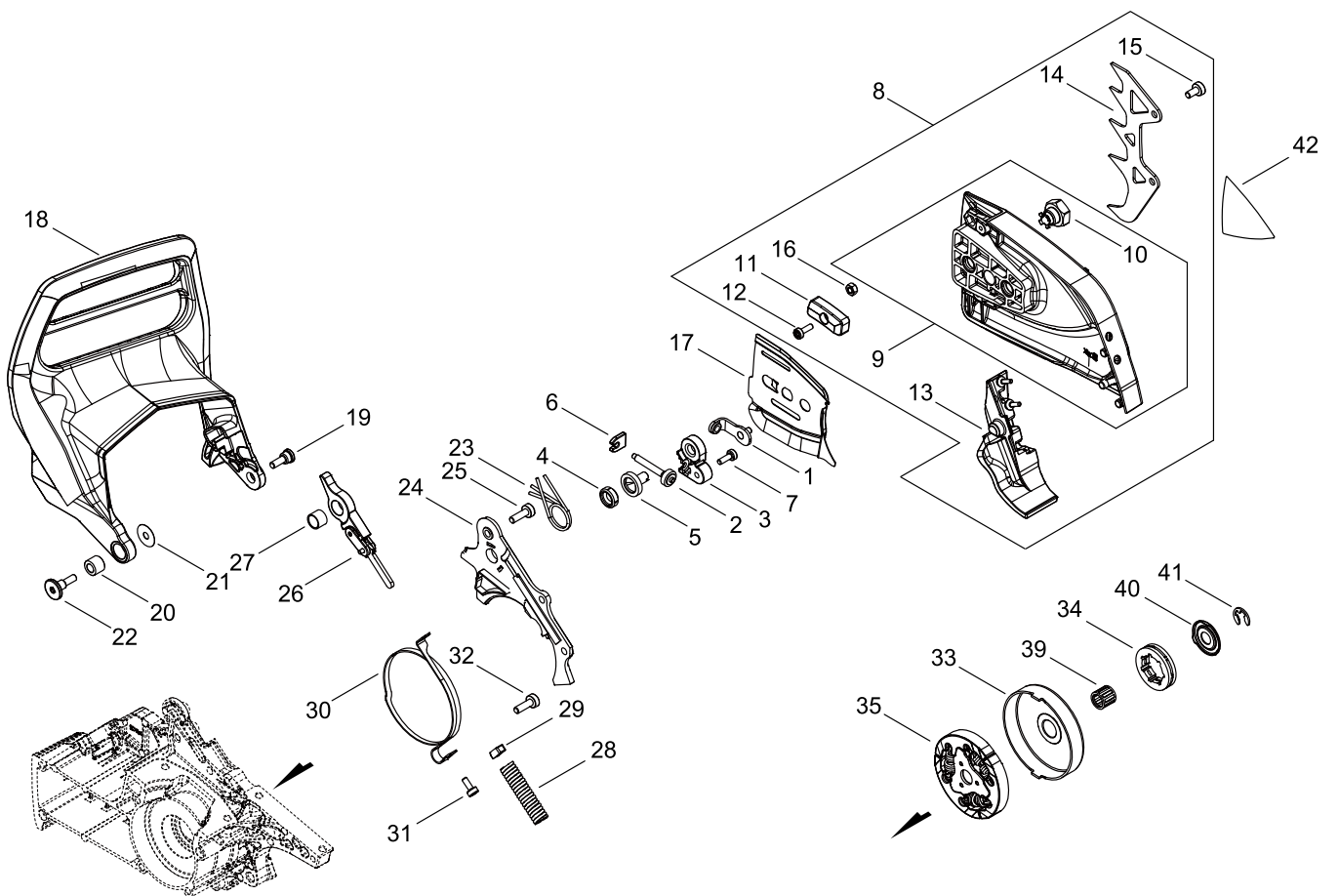
HANDLE



HANDLE

Key No.	LV (+)	Part No	Description	Qty	Standard
43		V141-000180	GROMMET,PLUG	1	
44		P100-008550	CAP ASY	1	
45	+	900720-20029	O-RING	1	P-29
46	+	A365-000150	CONNECTOR,CAP	1	

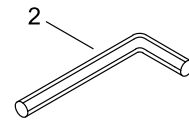
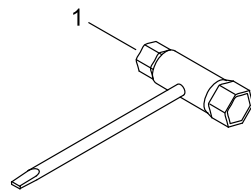
CHAIN BRAKE



CHAIN BRAKE

Key No.	LV (+)	Part No	Description	Qty	Standard
1		C309-000210	TENSIONER, CHAIN	1	
2		V203-002460	BOLT,5	1	
3		V355-000980	COLLAR,8	1	
4		V356-000940	COLLAR,10	1	
5		V652-000270	GEAR,WORM	1	
6		C316-000100	GUIDE, SHAFT	1	
7		V804-000050	BOLT, TORX 4	1	TB-4*12 10.9
8		P100-010090	GUARD, SPROCKET ASY	1	
9	+	C300-001230	GUARD, SPROCKET	1	
10	++	V265-000660	NUT,8	2	M8*1.25*7.2
11	+	C301-000010	PIECE, SPROCKET GUARD	2	
12	+	V804-000050	BOLT, TORX 4	2	TB-4*12 10.9
13	+	C302-000110	PAD, GUARD	1	
14	+	C304-000340	SPIKED	1	
15	+	V805-000130	BOLT, TORX 5	2	TB-5*10 10.9
16	+	900560-00005	NUT, LOCK	2	5
17		C305-000550	PLATE, SPROCKET GUARD	1	
18		C320-000600	LEVER, BRAKE	1	
19		V203-002510	BOLT,5	1	TB5*12
20		J211-000430	BUSH	1	
21		V303-000060	WASHER, CIRCULAR 5	1	5.5*18*0.4
22		V203-002450	BOLT,5	1	TB5*12
23		V452-001960	SPRING, TORSION	1	
24		C345-000740	COVER, BRAKE	1	
25		V835-000000	BOLT, TORX 5	3	
26		C334-000111	CONNECTOR, BRAKE	1	ASSY
27		V356-000470	COLLAR,10	1	12*10*T1.0
28		V450-000740	SPRING, COMPRESSION	1	12*70.5
29		V376-000450	SPACER	1	
30		C328-000370	BAND, BRAKE	1	
31		V804-000040	BOLT, TORX 4	1	TB-4*10 10.9
32		V805-000150	BOLT, TORX 5	1	TB-5*16 10.9
33		A556-001930	DRUM, CLUTCH	1	
34		175033-14731	SPROCKET, RIM 68210S	1	
35		A056-000880	CLUTCH ASY	1	
39		V555-000010	BEARING, NEEDLE 10	1	
40		V307-000520	WASHER, CIRCULAR 10	1	
41		V583-000440	RING	1	8.1 T1.2
42		X502-001240	LABEL, ECHO	1	D SIDE








ACCESSORIES



ACCESSORIES

Key No.	LV (+)	Part No	Description	Qty	Standard
1		X602-000080	TOOL,WRENCH	1	13*19 L180
2		X605-000190	TOOL,L WRENCH	1	T27 120*80

GUIDE BAR, CHAIN

Pitch ピッチ	Gauge ゲージ	Length 長さ	Guide Bar ガイドバー		Saw Chain ソーチェーン		Chain Scabbard チェーン スカバード		Hard Nose ハード ノーズ	Sprocket Nose スプロケット ノーズ
			Key №	Type 形式	Key №	Type 形式	Key №	Length 長さ (cm)		
3/8 9.53	0.058 1.47	50	A1	U50R73-72AA- ED	A2	73EXL-72	A3	52		
3/8 9.53	0.058 1.47	60	B1	U60R73-84AA- ED	B2	73EXL-84	B3	65		
3/8 9.53	0.058 1.47	45	D1	U45R73-68AA- ED	D2	73EXL-68	D3	52		
3/8 9.53	0.058 1.47	45	E1	U45R73-68AA- ED	E2	73LPX-68	E3	52		
3/8 9.53	0.058 1.47	50	F1	U50R73-72AA- ED	F2	73LPX-72	F3	52		
3/8 9.53	0.058 1.47	60	G1	U60R73-84AA- ED	G2	73LPX-84	G3	65		

GUIDE BAR, CHAIN

Key No.	LV (+)	Part No	Description	Qty	Standard
A1		X126-000390	BAR,GUIDE 50	1	U50R73-72AA-ED
A2		X266-000090	CHAIN,SAW	1	73EXL-72
A3		X490-000720	SCABBARD,CHAIN	1	
B1		X128-000110	BAR,GUIDE 60	1	U60R73-84AA-ED
B2		X268-000060	CHAIN,SAW	1	73EXL-84
B3		X490-000710	SCABBARD,CHAIN	1	
D1		X125-000470	BAR,GUIDE 45	1	U45R73-68AA-ED
D2		X265-000090	CHAIN,SAW	1	73EXL068E
D3		X490-000720	SCABBARD,CHAIN	1	
E1		X125-000470	BAR,GUIDE 45	1	U45R73-68AA-ED
E2		X265-000080	CHAIN,SAW	1	73LPX068E
E3		X490-000720	SCABBARD,CHAIN	1	
F1		X126-000390	BAR,GUIDE 50	1	U50R73-72AA-ED
F2		X266-000060	CHAIN,SAW	1	73LPX-72
F3		X490-000720	SCABBARD,CHAIN	1	
G1		X128-000110	BAR,GUIDE 60	1	U60R73-84AA-ED
G2		X268-000040	CHAIN,SAW	1	73LPX-84
G3		X490-000710	SCABBARD,CHAIN	1	

NUMERICAL PARTS INDEX

Part No	Part description	Page	Part No	Part description	Page	Part No	Part description	Page
100142-30830	KEY, WOODRUFF	6	A365-000150	CONNECTOR,CAP	18	P005-004400	METERING SPRING	10
101522-16430	PIN, DOWEL	4	A369-000460	STRAINER, FUEL	16	P005-004410	PUMP COVER ASY	10
125314-51230	SCREW	10	A409-001420	ROTOR, MAGNETO	6	P005-004420	SCREW	10
125337-06960	VALVE,INLET NEEDLE	10	A411-001950	COIL, IGNITION	6	P005-004430	THROTTLE LEVER	10
125338-13930	PIN, METERING ARM	10	A425-000080	SPARKPLUG	6	P005-004440	THROTTLE SHAFT	10
125344-52130	SCREW	10	A426-000050	SPRING SPARK PLUG	6	P005-004450	THROTTLE SPRING	10
125345-15130	PLUG, WELCH	10	A427-000190	CAP,SPARK PLUG	6	P005-004460	VALVE	10
125348-13930	SCREW	10	A440-003490	SWITCH, ON OFF	16	P005-004470	THROTTLE LEVER	10
125363-12820	RETAINER	10	A503-000080	PLATE, STARTER	14	P005-004480	CHOKE SHAFT	10
125378-13930	PIECE, FRICTION	10	A506-000570	REEL, ROPE	14	P005-004490	CHOKE LEVER	10
131300-56431	VENT ASSEMBLY, FUEL	16	A509-000510	ROPE	14	P005-004500	VALVE	10
175033-14731	SPROCKET, RIM 68210S	20	A511-000300	GRIP,STARTER	14	P005-004510	CHOKE LEVER	10
177214-02830	WASHER	14	A514-000350	PAWL	6	P005-004540	SCREW	10
436205-14730	STRAINER, OIL	2	A556-001930	DRUM, CLUTCH	20	P005-004550	SCREW	10
890345-39231	LABEL,CAUTION	4	C022-000121	AUTO-OILER ASSEMBLY	2	P005-004560	LEVER, METERING	10
900345-40025	PIN, SPRING	16	C300-001230	GUARD, SPROCKET	20	P005-004570	GASKET, METERING	10
900515-00006	NUT, FLANGE	12	C301-000010	PIECE,SPROCKET GUARD	20	P005-004580	DIAPHRAGM ,METERING	10
900515-00008	NUT, FLANGE	6	C302-000100	PAD, GUARD	16	P005-004590	DIAPHRAGM, PUMP	10
900560-00005	NUT, LOCK	20	C302-000110	PAD, GUARD	20	P005-004600	COLLAR	10
900560-00006	NUT, LOCK	4	C304-000340	SPIKED	20	P005-004610	SPRING, CHOKE RETURN	10
900600-00005	WASHER	14	C304-000350	SPIKED	4	P005-004620	COLLAR	10
900701-00015	RETAINING RING, EXTERNAL	2	C305-000550	PLATE,SPROCKET GUARD	20	P005-004660	SCREW	10
900720-20029	O-RING	4	C309-000210	TENSIONER, CHAIN	20	P005-004670	SCREW	10
900720-20029	O-RING	18	C310-000030	CATCHER,CHAIN	4	P100-008410	CAP,OIL ASY	4
92140-04000	NUT, SQUARE	8	C316-000100	GUIDE, SHAFT	20	P100-008550	CAP ASY	18
94036-46202	BEARING, BALL	4	C320-000600	LEVER, BRAKE	20	P100-009380	HANDLE ASY, REAR	16
A014-000130	RELEASE ASY., COMP.	2	C328-000370	BAND, BRAKE	20	P100-009400	CYLINDER ASY	2
A051-003540	STARTER,RECOIL ASY	14	C334-000111	CONNECTOR, BRAKE	20	P100-009410	PISTON KIT	2
A056-000880	CLUTCH ASY	20	C345-000740	COVER,BRAKE	20	P100-009450	MUFFLER ASY	12
A101-000790	RING, PISTON	2	C400-001750	HANDLE, FRONT	16	P100-009460	CASE,STARTER	14
A172-003650	COVER,FAN	14	C405-000650	BRACKET,HANDLE	16	P100-009470	SPRING KIT, REWIND	14
A200-001281	INSULATOR, INTAKE	8	C405-000660	BRACKET,HANDLE	16	P100-010080	CYLINDER COVER ASY	4
A202-000370	BELLOWS, INTAKE	8	C411-000300	LID,HANDLE	16	P100-010090	GUARD, SPROCKET ASY	20
A204-000280	ELBOW, CARBURETOR	8	C450-001120	CONTROL, THROTTLE	16	P100-010230	CRANKCASE SET	4
A206-000070	HOLDER, BELLOWS	8	C460-000660	LOCKOUT, THROTTLE	16	P200-001230	CARBURETOR ASY	8
A219-000040	SHUTTER,AIR	4	C480-000240	GUIDE, CABLE	16	P200-001230	CARBURETOR ASY	10
A220-000090	CASE,CARBURETOR	8	J211-000430	BUSH	20	V100-000900	GASKET,CYL	2
A222-000000	LID,CARB CASE	8	M613-000330	KNOB	8	V102-000350	GASKET,CRANKCASE	4
A226-002370	ELEMENT, AIR FILTER	8	P005-000410	PLUG, WELCH	10	V104-002540	GASKET,EXHAUST	12
A241-000410	KNOB, CHOKE	8	P005-000860	SCREEN, FUEL INLET	10	V130-000190	GROMMET,CHOKE	8
A301-000100	PLATE, MUFFLER	12	P005-001430	GASKET, PUMP	10	V131-000230	GROMMET,NEEDLE	8
A310-000580	SCREEN, ARRESTOR	12	P005-001850	COVER, DIAPHRAGM	10	V136-000140	GROMMET,LEAD	8
A356-000120	ELEMENT	4	P005-003170	SCREW	10	V137-000160	GROMMET,FUEL	8
A365-000150	CONNECTOR,CAP	4	P005-004390	NOZZLE ASY	10	V141-000090	GROMMET,PLUG	2
						V141-000180	GROMMET,PLUG	18

NUMERICAL PARTS INDEX

Part No	Part description	Page	Part No	Part description	Page	Part No	Part description	Page
V150-004750	PLATE,EYE	12	V471-005680	PIPE	16	X266-000090	CHAIN,SAW	24
V186-000530	JOINT,PIPE	16	V475-009560	TUBE	6	X268-000040	CHAIN,SAW	24
V202-000790	BOLT,4	8	V485-003490	LEAD	16	X268-000060	CHAIN,SAW	24
V203-002250	BOLT,5	6	V485-003500	LEAD	16	X490-000710	SCABBARD,CHAIN	24
V203-002450	BOLT,5	20	V490-000500	CLIP	4	X490-000720	SCABBARD,CHAIN	24
V203-002460	BOLT,5	20	V490-000500	CLIP	16	X502-001060	LABEL,ECHO	4
V203-002510	BOLT,5	20	V490-001230	CLIP	16	X502-001240	LABEL,ECHO	20
V204-001880	BOLT,6	12	V495-003900	BAND	6	X503-015470	LABEL,MODEL	4
V225-000380	BOLT,STUD 8	4	V508-000140	SEAL,OIL 15	4	X547-003600	LABEL,ECHO	14
V265-000660	NUT,8	20	V555-000010	BEARING,NEEDLE 10	20	X602-000080	TOOL,WRENCH	22
V303-000060	WASHER,CIRCULAR 5	20	V557-000080	BEARING,NEEDLE 12	2	X605-000190	TOOL,L WRENCH	22
V304-000540	WASHER,CIRCULAR 6	12	V580-000000	RING,END	2			
V307-000520	WASHER,CIRCULAR 10	20	V583-000440	RING	20			
V311-000090	WASHER,CIRCULAR 16-1	2	V610-000040	PIN,ENG 12	2			
V352-000340	COLLAR,4	8	V641-000270	PIN,SNAP	4			
V352-000340	COLLAR,4	10	V652-000270	GEAR,WORM	20			
V354-000650	COLLAR,6	4	V652-000300	GEAR,WORM	2			
V355-000980	COLLAR,8	20	V804-000000	BOLT, TORX 4	16			
V356-000470	COLLAR,10	20	V804-000030	BOLT, TORX 4	12			
V356-000940	COLLAR,10	20	V804-000040	BOLT, TORX 4	20			
V361-000580	COLLAR,20	8	V804-000050	BOLT, TORX 4	2			
V376-000450	SPACER	20	V804-000050	BOLT, TORX 4	20			
V404-000260	CUSHION,10	16	V805-000130	BOLT, TORX 5	14			
V420-003800	CUSHION	8	V805-000130	BOLT, TORX 5	20			
V420-005580	CUSHION	16	V805-000150	BOLT, TORX 5	6			
V420-005590	CUSHION	4	V805-000150	BOLT, TORX 5	8			
V420-005600	CUSHION	4	V805-000150	BOLT, TORX 5	20			
V420-005610	CUSHION	8	V805-000220	BOLT, TORX 5	2			
V420-005620	CUSHION	8	V805-000220	BOLT, TORX 5	4			
V430-005290	CABLE,BOWDEN	16	V805-000250	BOLT, TORX 5	4			
V450-000740	SPRING,COMPRESSION	20	V805-000290	BOLT, TORX 5	4			
V450-002410	SPRING,COMPRESSION	16	V805-000360	BOLT, TORX 5	16			
V450-002420	SPRING,COMPRESSION	16	V805-000410	BOLT, TORX 5	14			
V450-002430	SPRING,COMPRESSION	16	V806-000000	BOLT, TORX 6	16			
V452-001950	SPRING,TORSION	6	V806-000010	BOLT, TORX 6	12			
V452-001960	SPRING,TORSION	20	V835-000000	BOLT, TORX 5	16			
V452-001970	SPRING,TORSION	16	V835-000000	BOLT, TORX 5	20			
V456-000430	HOLDER,SPRING	16	V835-000030	BOLT, TORX 5	8			
V456-000440	HOLDER,SPRING	16	V856-000010	BOLT,TORX 6	4			
V456-000450	HOLDER,SPRING	16	X125-000470	BAR,GUIDE 45	24			
V456-000460	HOLDER,SPRING	16	X126-000390	BAR,GUIDE 50	24			
V470-001991	PIPE	16	X128-000110	BAR,GUIDE 60	24			
V470-002370	PIPE	2	X265-000080	CHAIN,SAW	24			
V470-002410	PIPE	16	X265-000090	CHAIN,SAW	24			
V470-002420	PIPE	4	X266-000060	CHAIN,SAW	24			