

CS-4920

Serial Number

C92340000001-C92340999999

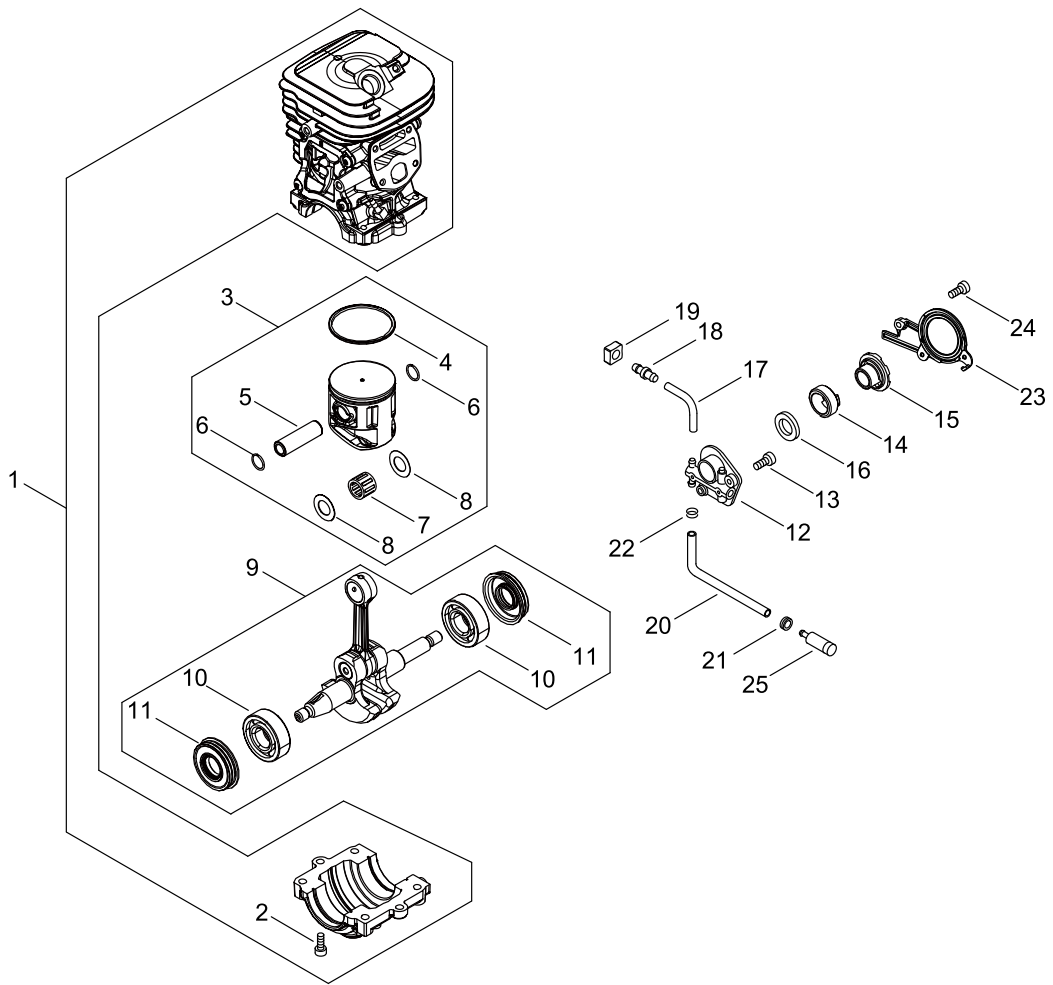
Last updated date

17/Jan/2023

TABLE OF CONTENTS

CYLINDER, PISTON, CRANKSHAFT	1
ENGINE COVER.....	3
MAGNETO.....	5
AIR CLEANER, CARBURETOR.....	7
CARBURETOR.....	9
MUFFLER.....	11
RECOIL STARTER.....	13
HANDLE.....	15
CHAIN BRAKE.....	17
ACCESSORIES	19
GUIDE BAR, CHAIN.....	21

CYLINDER, PISTON, CRANKSHAFT



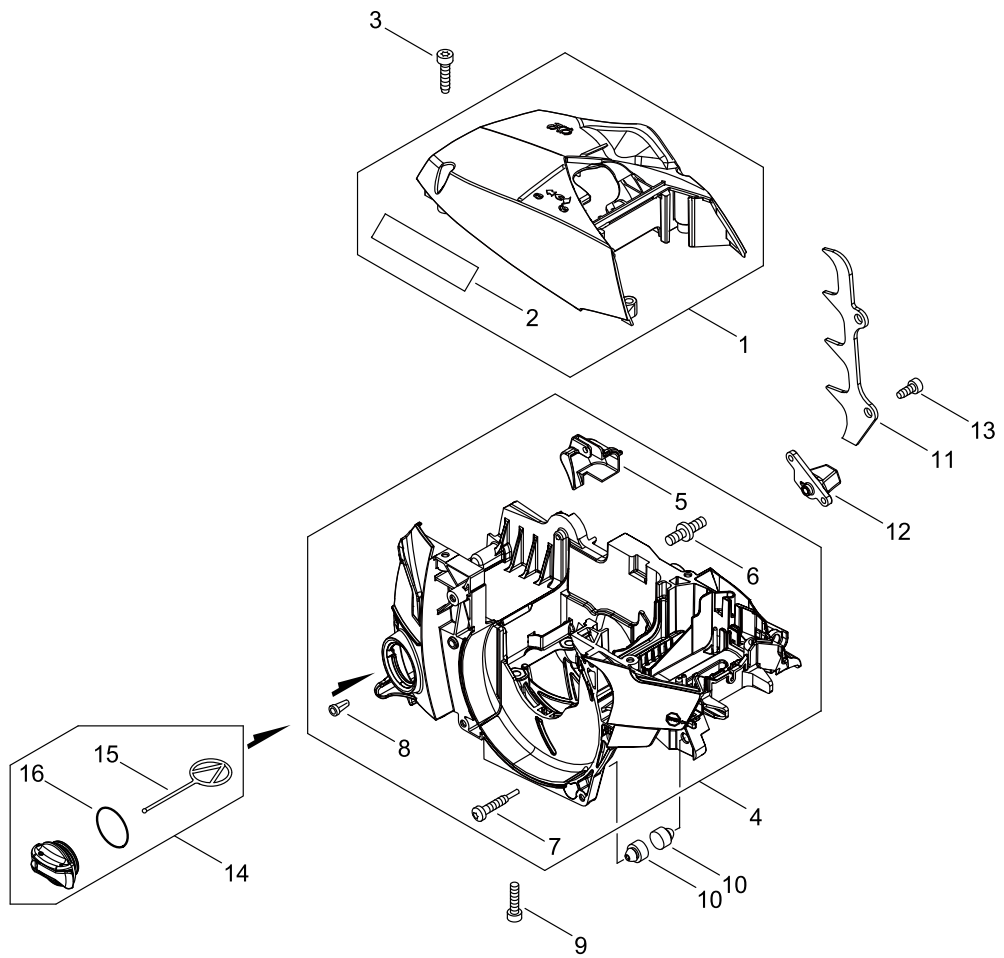
CYLINDER, PISTON, CRANKSHAFT

Key No.	LV (+)	Parts Number	Parts Description	Qty	Standard	Class
1		P100-012490	CYLINDER ASY	1		D
2	+	V805-000250	BOLT, TORX 5	2	TB-5*16 12.9	C
3		P100-012500	PISTON KIT	1		D
4	+	A101-000840	RING, PISTON	1	45*1.5*1.9	B
5	+	V609-000090	PIN,ENG 11	1	7*11*35.8	D
6	+	V580-000030	RING,END	2	D 1.0	C
7	+	V556-000040	BEARING,NEEDLE 11	1		C
8	+	V308-000040	WASHER,CIRCULAR 11	2	11.2*19.5*0.5	C
9		P100-012510	CRANKSHAFT ASY	1		D
10	+	900810-36202	BEARING, BALL	2	6202	
11	+	V508-000110	SEAL,OIL 15	2		C
12		C022-000010	OILER,ASM AUTO	1		C
13		V805-000140	BOLT, TORX 5	2	TB-5*12 10.9	C
14		V652-000030	GEAR,WORM	1		B
15		V356-000390	COLLAR,10	1		C
16		V308-000030	WASHER,CIRCULAR 11	1	10.5*17.4*1.8	C
17		V471-005191	PIPE	1	3*6*49	C
18		V187-000010	NIPPLE	1		C
19		A203-000090	SEAL	1		C
20		V471-005201	PIPE	1	3*6*200	C
21		132115-01462	GROMMET	1		C
22		V490-001230	CLIP	1		C
23		C236-000160	COVER,OILER	1		D
24		V804-000000	BOLT, TORX 4	1	TT-4*12 DG 10.9	C
25		P100-001900	STRAINER, OIL	1		B

Class : Consumable class

A:Fast moving parts B:Semi-fast moving parts C:Slow moving parts D:Order only as needed

ENGINE COVER



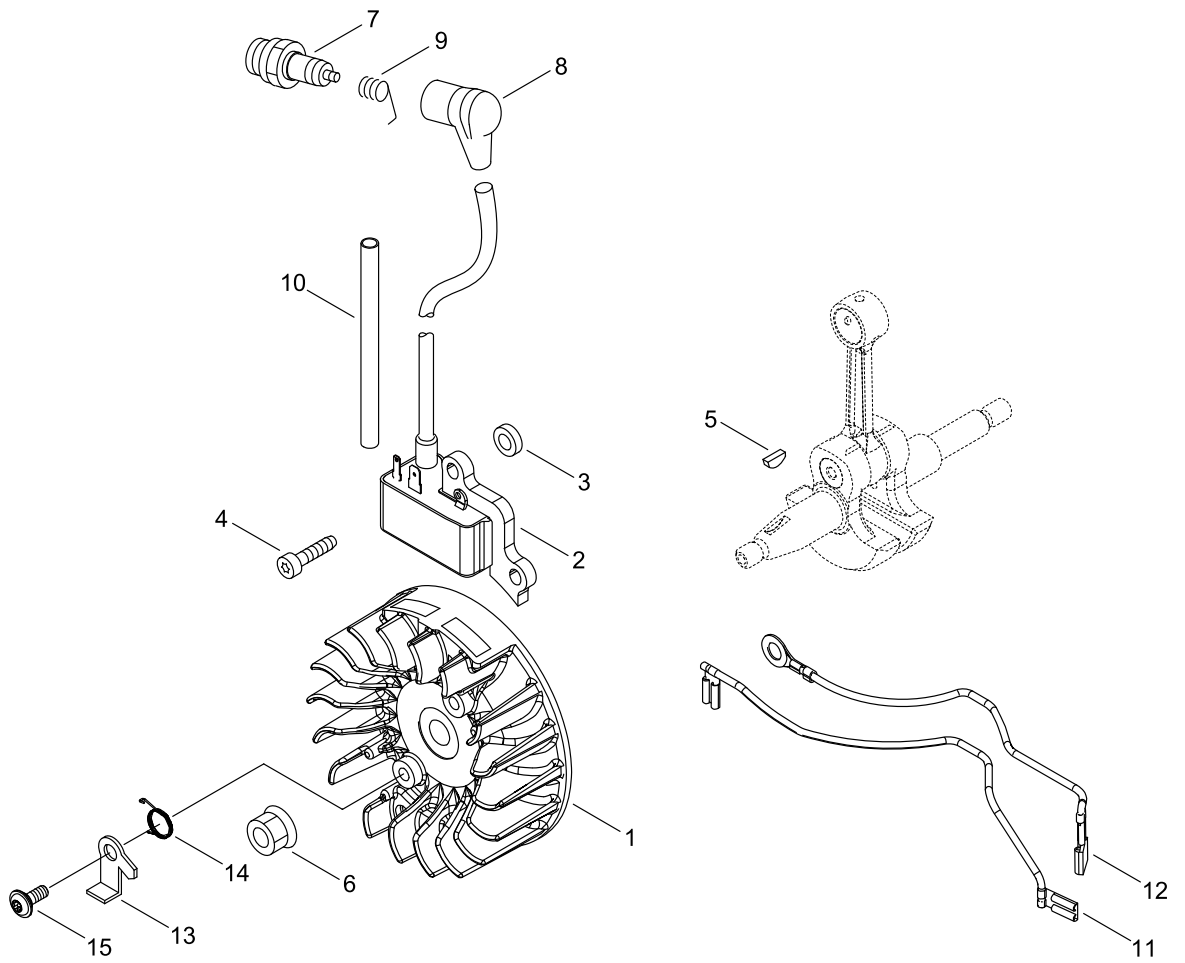
ENGINE COVER

Key No.	LV (+)	Parts Number	Parts Description	Qty	Standard	Class
1		A160-003360	COVER,CYLINDER	1	LABEL	C
2	+	X502-001060	LABEL,ECHO	1		D
3		V805-000010	BOLT, TORX 5	3	TT-5*20 DG 10.9	C
4		P100-012530	COVER ENGINE ASY	1		C
5	+	A161-000370	DUCT, AIR	1		C
6	+	V225-000400	BOLT,STUD 8	2		C
7	+	V203-002380	BOLT,5	1	STOPPER BOLT	C
8	+	436114-13930	VALVE, CHECK	1		B
9		V805-000270	BOLT, TORX 5	4	TB-5*40 12.9	C
10		V420-001790	CUSHION	2		B
11		C304-000330	SPIKED	1		C
12		C310-000150	CATCHER, CHAIN	1		B
13		V805-000010	BOLT, TORX 5	3	TT-5*20 DG 10.9	C
14		P100-004610	CAP,OIL ASY	1		C
15	+	A365-000050	CONNECTOR,CAP	1		B
16	+	900720-20029	O-RING	1	P-29	

Class : Consumable class

A:Fast moving parts B:Semi-fast moving parts C:Slow moving parts D:Order only as needed

MAGNETO



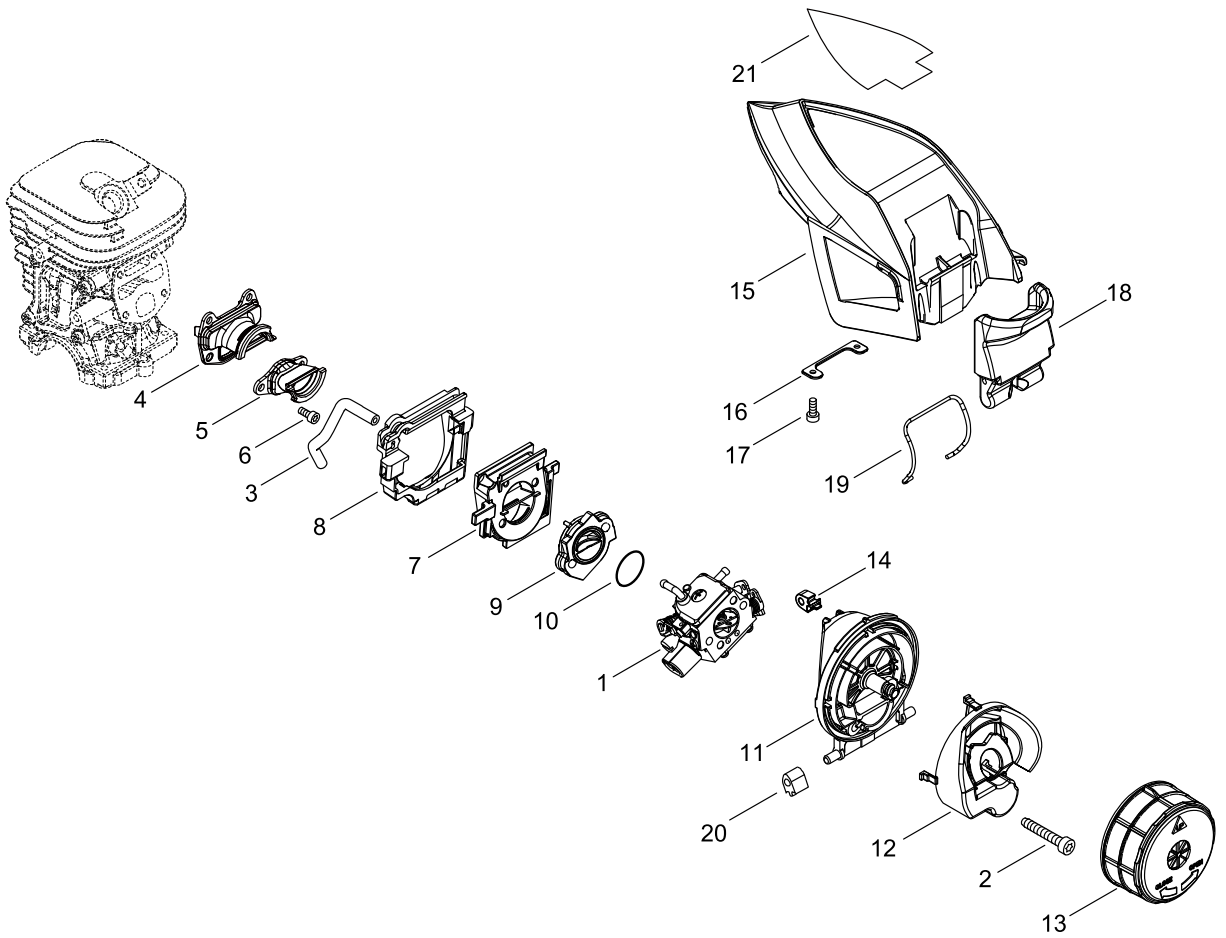
MAGNETO

Key No.	LV (+)	Parts Number	Parts Description	Qty	Standard	Class
1		A409-001330	ROTOR, MAGNETO	1	ID#*****	C
2		A411-002080	COIL, IGNITION	1	ID#A10119	C
3		150117-16430	SPACER	2		C
4		V805-000210	BOLT, TORX 5	2	TB-5*20 12.9	C
5		100142-12330	KEY, WOODRUFF	1		C
6		900515-00008	NUT, FLANGE	1	8	
7		A425-000000	SPARKPLUG	1	BPMR8Y	A
8		A427-000190	CAP,SPARK PLUG	1		C
9		A426-000010	TERMINAL,SPARKPLUG	1		C
10		V475-009180	TUBE	1	SSG-1 6*7.2*100	C
11		V485-002960	LEAD	1	L155	C
12		V485-002970	LEAD	1	L153	C
13		A514-000050	PAWL	2		C
14		177234-35430	SPRING, RETURN	2		B
15		V203-002250	BOLT,5	2		C

Class : Consumable class

A:Fast moving parts B:Semi-fast moving parts C:Slow moving parts D:Order only as needed

AIR CLEANER, CARBURETOR



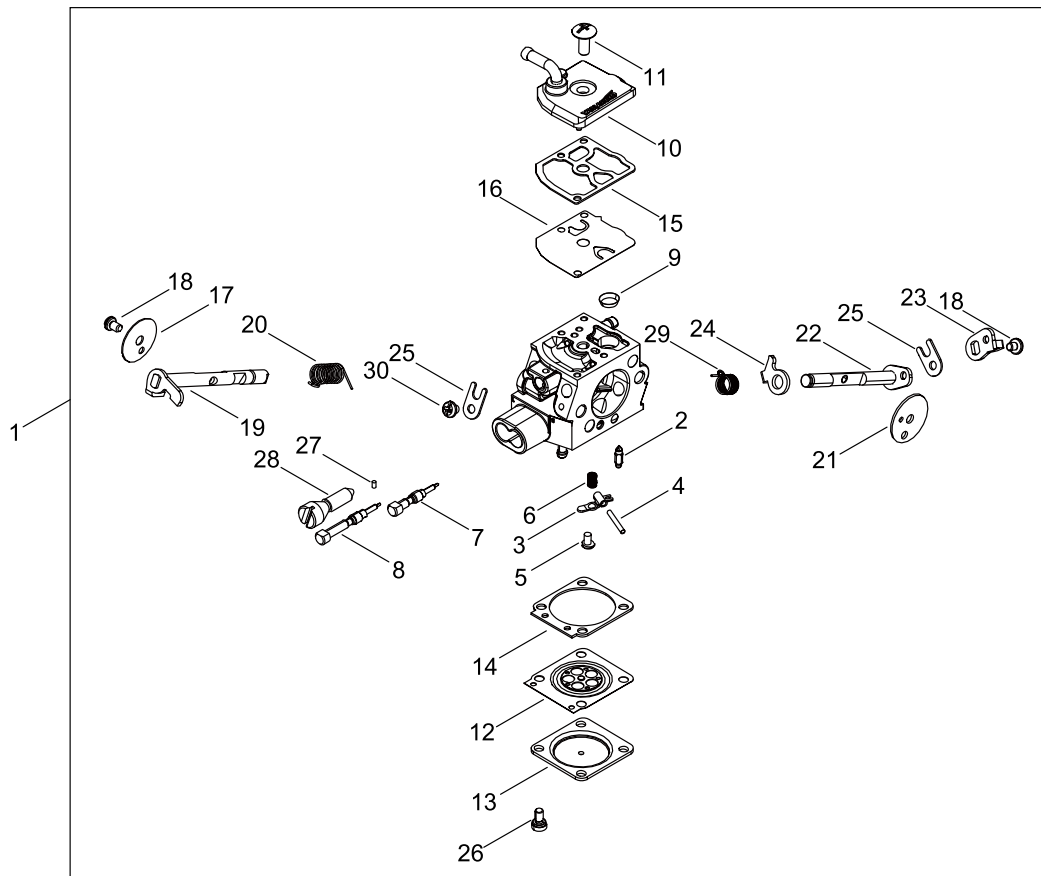
AIR CLEANER, CARBURETOR

Key No.	LV (+)	Parts Number	Parts Description	Qty	Standard	Class
1		A021-005560	CARBURETOR,DIAPHRAGM	1	GC-04	B
2		V805-000040	BOLT, TORX 5	2	TT-5*55 DG 10.9	C
3		V471-000761	PIPE	1	3*6*90	C
4		A202-000380	BELLOWS, INTAKE	1	AIR SIDE	C
5		A202-000320	BELLOWS, INTAKE	1	MIX SIDE	C
6		V804-000050	BOLT, TORX 4	4	TB-4*12 10.9	C
7		A200-001150	INSULATOR, INTAKE	1	CYLINDER SIDE	C
8		V420-005250	CUSHION	1	FOR IN-INSULATOR	B
9		A200-001160	INSULATOR, INTAKE	1	CARB SIDE	C
10		900724-00022	O-RING	1	S-22	
11		A225-000730	CASE,CLEANER	1		C
12		A161-000350	DUCT, AIR	1	BIG	C
13		A226-002150	ELEMENT, AIR FILTER	1		A
14		V420-005260	CUSHION	1	FOR CLEANERCASE	B
15		A232-001940	LID,CLEANER	1		C
16		V453-000260	SPRING,FLAT	1	T1.5 1/2H	C
17		V804-000000	BOLT, TORX 4	2	TT-4*12 DG 10.9	C
18		A235-000440	KNOB,CLEANER LID	1		C
19		V582-000280	RING,SNAP	1	O.D. 2	C
20		V420-005260	CUSHION	2	FOR CLEANERCASE	B
21		X503-016340	LABEL,MODEL	1	CS-4920+JP TECH	D

Class : Consumable class

A:Fast moving parts B:Semi-fast moving parts C:Slow moving parts D:Order only as needed

CARBURETOR



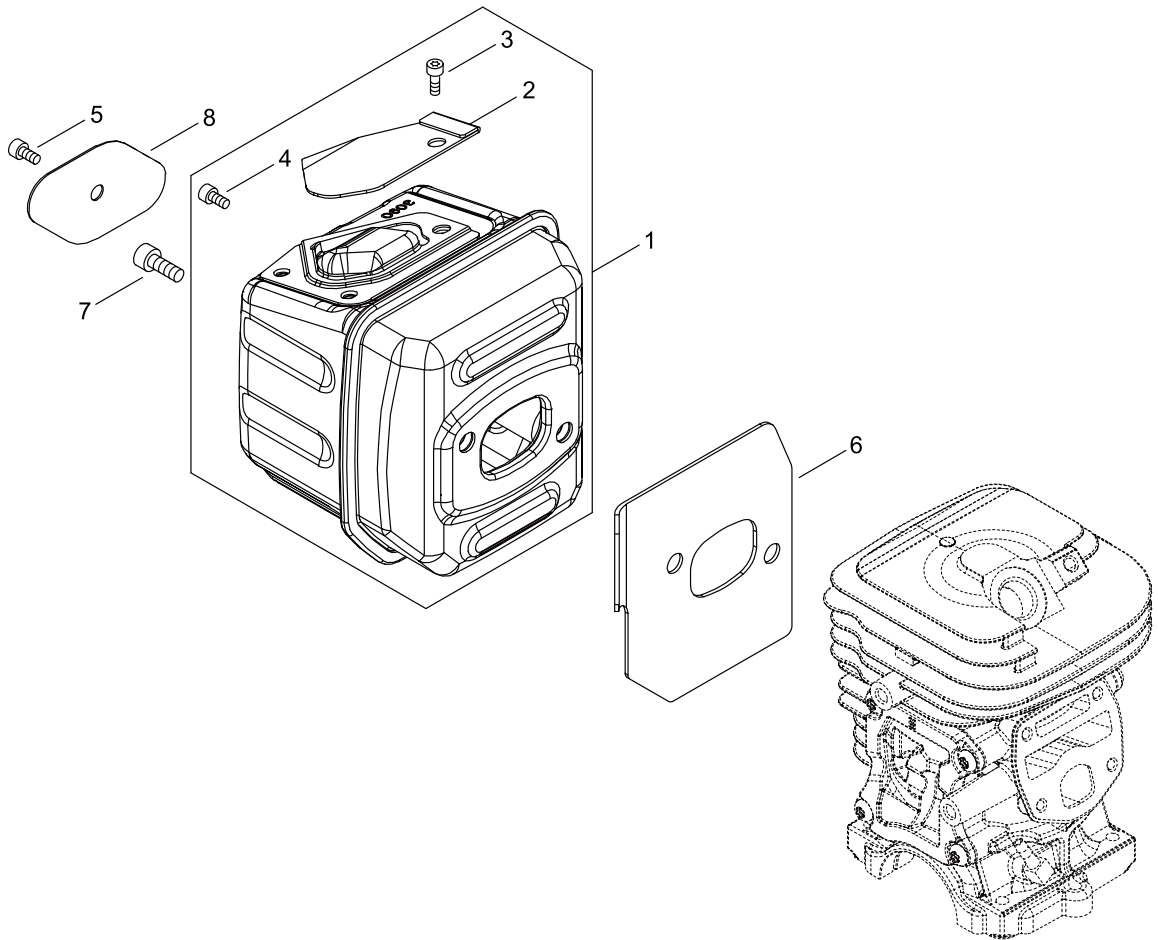
CARBURETOR

Key No.	LV (+)	Parts Number	Parts Description	Qty	Standard	Class
1		A021-005560	CARBURETOR,DIAPHRAGM	1	GC-04	B
2	+	P006-000130	VALVE, INLET NEEDLE	1		D
3	+	P006-000120	LEVER, METERING	1		
4	+	P006-000110	PIN, METERING LEVER	1		
5	+	P006-001490	SCREW	1		D
6	+	P006-001480	SPRING,METERING	1		D
7	+	P006-001510	NEEDLE	1		D
8	+	P006-001520	NEEDLE	1		D
9	+	P006-000200	SCREEN,INLET	1		
10	+	P006-001530	PUMP COVER ASY	1		D
11	+	P006-001440	SCREW	1		D
12	+	P006-001430	DIAPHRAGM, METERING	1		A
13	+	P006-001420	COVER,METERING	1		D
14	+	P006-001410	GASKET,METERING	1		A
15	+	P006-001400	GASKET, FUEL PUMP	1		A
16	+	P006-001390	DIAPHRAGM PUMP	1		A
17	+	A957-000000	VALVE,THROTTLE	1		D
18	+	P006-001370	SCREW	2		D
19	+	P006-001550	SHAFT ASY,THROTTLE	1		D
20	+	P006-001350	SPRING, THRT. RETURN	1		D
21	+	P006-001340	VALVE, CHOKE	1		D
22	+	P006-001330	SHAFT, CHOKE ASY	1		D
23	+	P006-001320	LEVER,THROTTLE	1		D
24	+	P006-001310	LEVER	1		D
25	+	P006-001060	CLIP, THROTTLE SHAFT	2		D
26	+	P006-001010	SCREW	4	M3*6	D
27	+	P006-000760	PIN, METERING LEVER	1		D
28	+	P006-001300	SCREW	1		D
29	+	P006-001290	SPRING, CHOKE RETURN	1		D
30	+	P006-001260	SCREW	3		D

Class : Consumable class

A:Fast moving parts B:Semi-fast moving parts C:Slow moving parts D:Order only as needed

MUFFLER



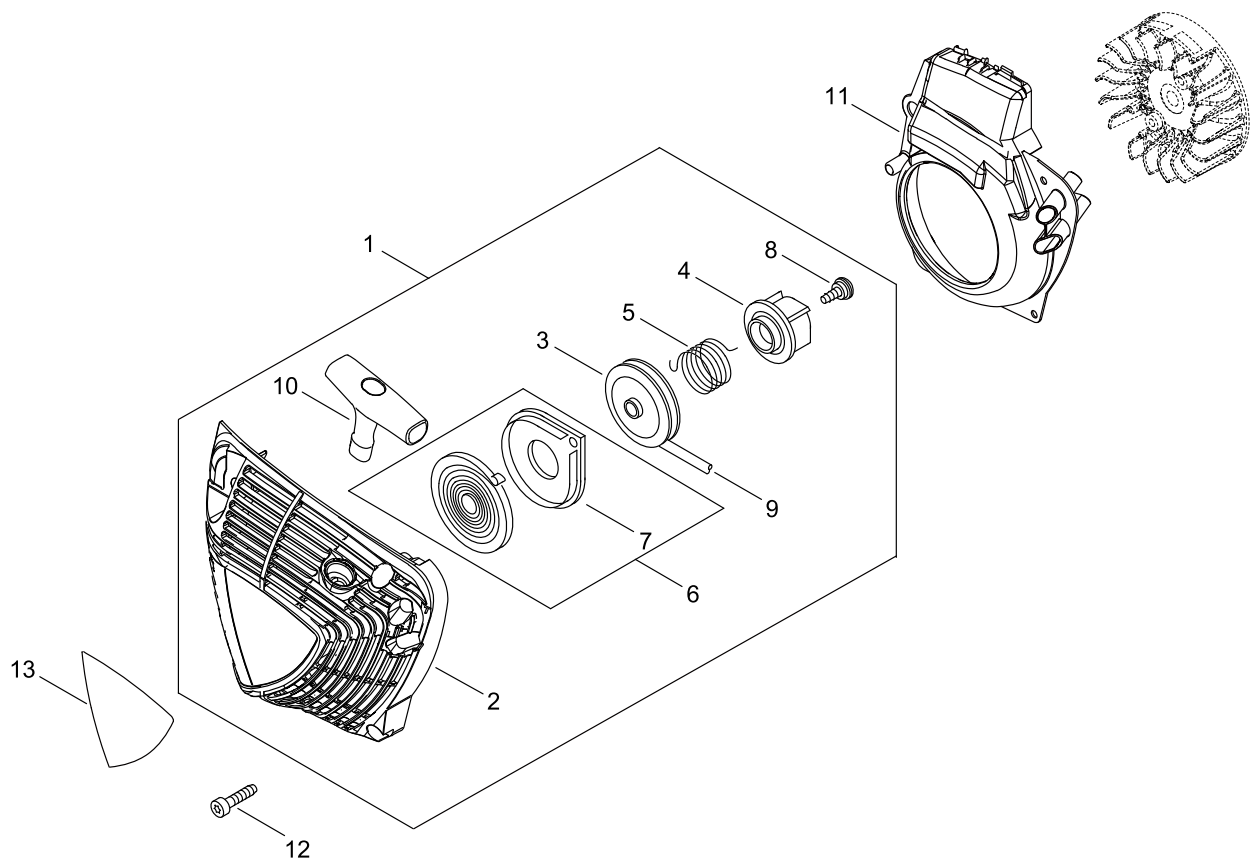
MUFFLER

Key No.	LV (+)	Parts Number	Parts Description	Qty	Standard	Class
1		P100-012520	MUFFLER ASY	1		C
2	+	A310-000600	SCREEN, ARRESTOR	1		B
3	+	V804-000030	BOLT, TORX 4	1	TB-4*8 10.9	C
4	+	V804-000030	BOLT, TORX 4	1	TB-4*8 10.9	C
5		V804-000030	BOLT, TORX 4	1	TB-4*8 10.9	C
6		V104-002340	GASKET,EXHAUST	1	T:1.0	A
7		V805-000250	BOLT, TORX 5	2	TB-5*16 12.9	C
8		145711-60631	STAY, MUFFLER	1		C

Class : Consumable class

A:Fast moving parts B:Semi-fast moving parts C:Slow moving parts D:Order only as needed

RECOIL STARTER



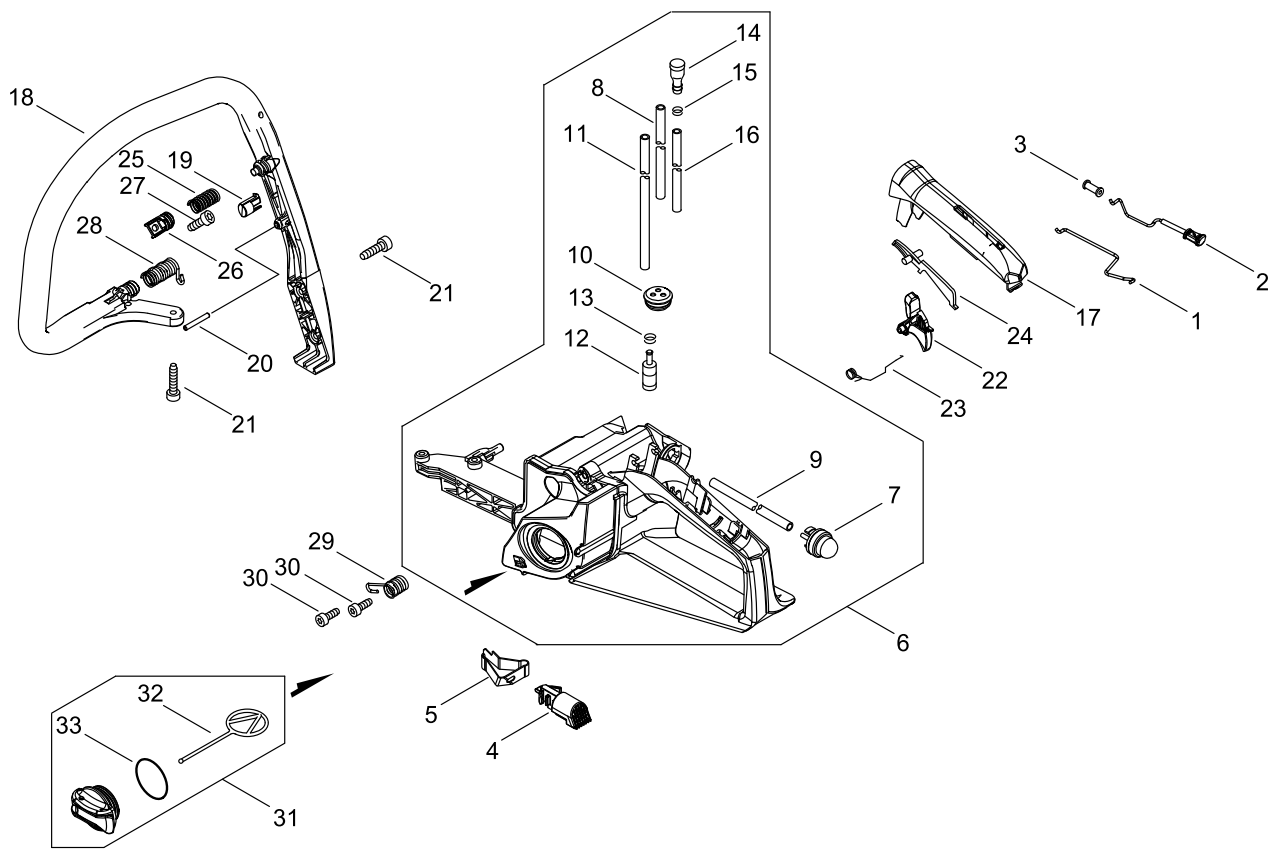
RECOIL STARTER

Key No.	LV (+)	Parts Number	Parts Description	Qty	Standard	Class
1		A051-003300	STARTER,RECOIL ASY	1	SI	B
2	+	P022-050400	STARTER CASE	1		
3	+	P022-050410	DRUM, STARTER	2		
4	+	P022-050430	PLATE, CAM	1		
5	+	P022-050420	SPRING,DAMPER	1		
6	+	P022-001330	SPRING KIT, REWIND	1		B
7	++	P022-033280	SPRING CASE	1		C
8	+	177236-61830	SCREW	1		C
9	+	P022-050440	ROPE, STARTER	1		
10	+	P022-050450	GRIP, STARTER	1		
11		A172-003291	COVER,FAN	1		C
12		V805-000010	BOLT, TORX 5	3	TT-5*20 DG 10.9	C
13		X503-016330	LABEL,MODEL	1	CS-4920	D

Class : Consumable class

A:Fast moving parts B:Semi-fast moving parts C:Slow moving parts D:Order only as needed

HANDLE



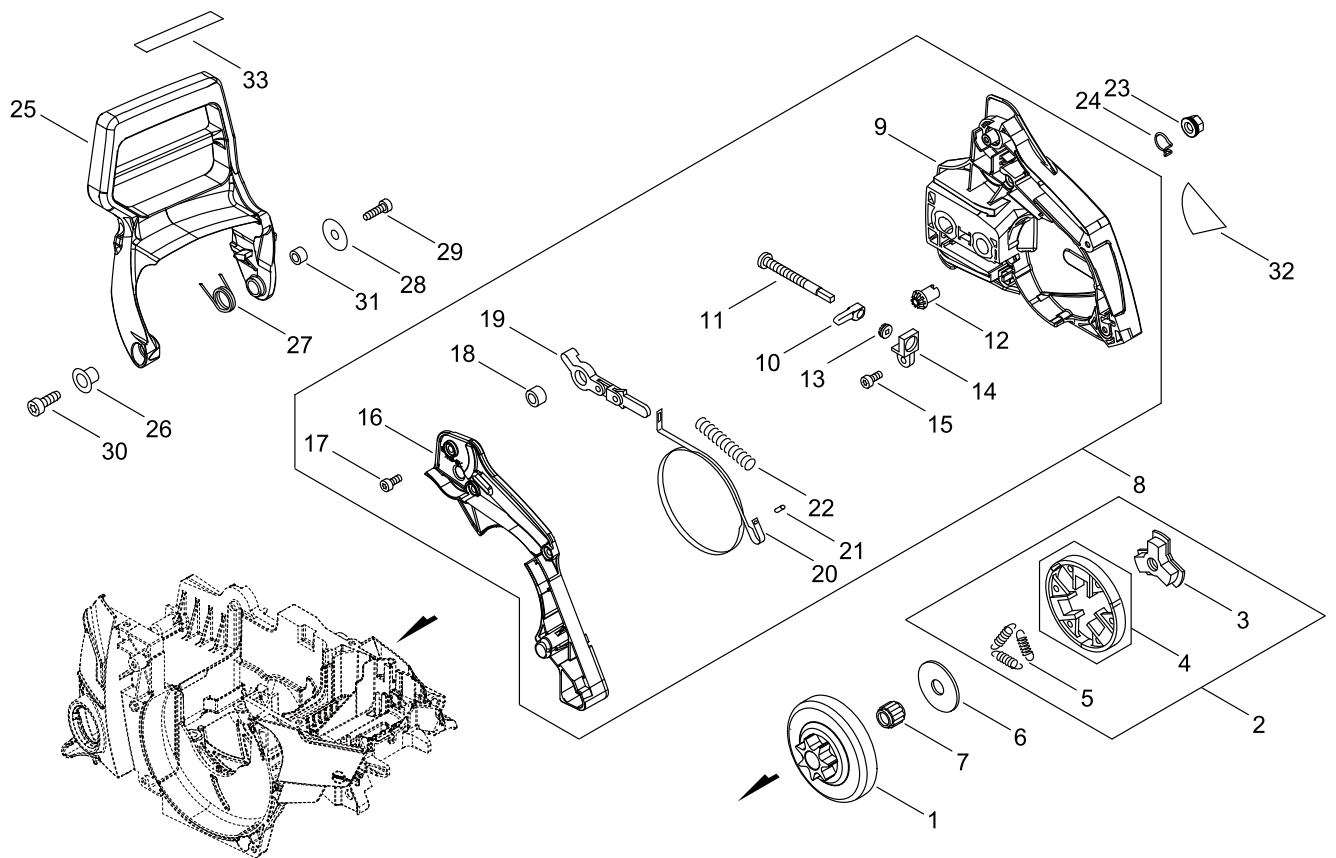
HANDLE

Key No.	LV (+)	Parts Number	Parts Description	Qty	Standard	Class
1		C454-000570	ROD, THROTTLE	1		C
2		A241-000370	KNOB, CHOKE	1		C
3		178810-14535	GROMMET	1		C
4		A444-000120	KNOB, SWITCH	1		C
5		V486-000540	TERMINAL, LEAD	1		C
6		P100-012540	HANDLE ASY, REAR	1		C
7	+	A035-000040	PUMP, FUEL	1	188-554-A	A
8	+	V471-001291	PIPE	1	2.4*5*75	C
9	+	V471-001241	PIPE	1	2.4*5*140	C
10	+	132115-55931	GROMMET, FUEL	1	3φ5	C
11	+	V471-005181	PIPE	1	3*5*300	C
12	+	A369-000420	STRAINER, FUEL	1	ES-16499	A
13	+	V490-001240	CLIP	1		C
14	+	131300-56431	VENT ASSEMBLY, FUEL	1		B
15	+	V490-001230	CLIP	1		C
16	+	V471-005191	PIPE	1	3*6*49	C
17		C411-000230	LID, HANDLE	1		C
18		C400-001631	HANDLE, FRONT	1	GAI	C
19		V420-005270	CUSHION	1	FOR FRONT HANDLE	B
20		900330-40298	ROLLER	1	4*29.8	
21		V805-000010	BOLT, TORX 5	4	TT-5*20 DG 10.9	C
22		C450-001041	CONTROL, THROTTLE	1		C
23		V452-000260	SPRING, TORSION	1		B
24		178090-37930	LOCKOUT, T. CONTROL	1		C
25		V450-002200	SPRING, COMPRESSION	1	CENTER	B
26		V456-000240	HOLDER, SPRING	1		C
27		V805-000140	BOLT, TORX 5	1	TB-5*12 10.9	C
28		V450-002180	SPRING, COMPRESSION	1	FRONT	B
29		V450-002190	SPRING, COMPRESSION	1	REAR TYPE2-A	B
30		V805-000240	BOLT, TORX 5	2	TT-5*12 DG 10.9	C
31		P100-004640	CAP, FUEL ASY	1		
32	+	A365-000050	CONNECTOR, CAP	1		B
33	+	900720-20029	O-RING	1	P-29	

Class : Consumable class

A:Fast moving parts B:Semi-fast moving parts C:Slow moving parts D:Order only as needed

CHAIN BRAKE



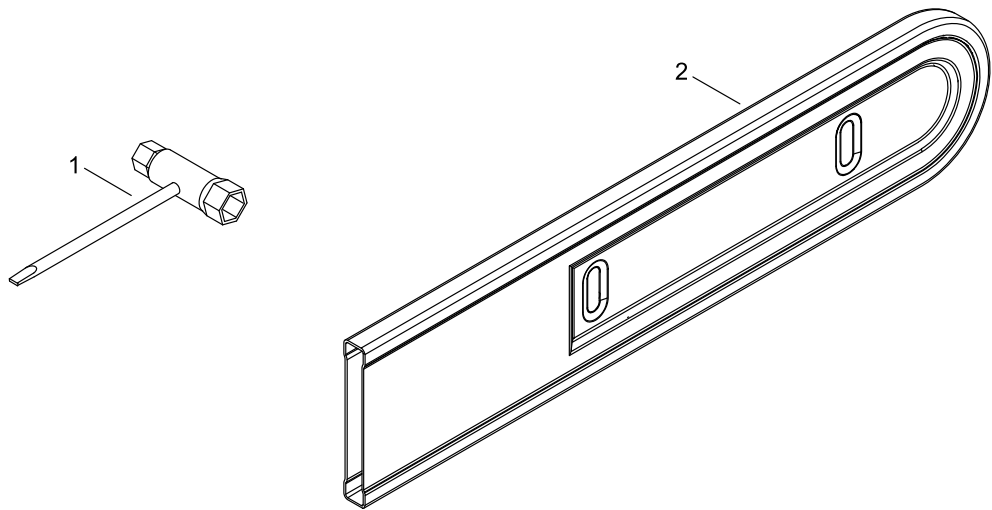
CHAIN BRAKE

Key No.	LV (+)	Parts Number	Parts Description	Qty	Standard	Class
1		A556-000481	DRUM, CLUTCH	1		B
2		A056-000840	CLUTCH ASY	1		B
3	+	A552-000470	HUB, CLUTCH	1		B
4	+	P021-007051	CLUTCH SHOE SET	1		B
5	+	V451-000500	SPRING,TENSION	3		B
6		175019-39430	PLATE, CLUTCH	1		C
7		V555-000170	BEARING,NEEDLE 10	1	8E-KV10*13*12.8	B
8		P100-004653	GUARD, SPROCKET ASY	1		C
9	+	C300-001162	GUARD, SPROCKET	1		C
10	+	C309-000070	TENSIONER, CHAIN	1		C
11	+	V203-000110	BOLT,5	1		C
12	+	V651-001040	GEAR,BEVEL	1		D
13	+	V651-001050	GEAR,BEVEL	1		D
14	+	V355-000140	COLLAR,8	1		C
15	+	V804-000010	BOLT, TORX 4	1	TT-4*16 DG 10.9	C
16	+	C345-000651	COVER,BRAKE	1		C
17	+	V804-000010	BOLT, TORX 4	4	TT-4*16 DG 10.9	C
18	+	433116-35430	SPACER 8	1	8*12*9	C
19	+	C334-000100	CONNECTOR, BRAKE	1		C
20	+	C328-000110	BAND, BRAKE	1		C
21	+	900330-30120	ROLLER	1	3*11.8	
22	+	V450-000070	SPRING,COMPRESSION	1		B
23		V265-000550	NUT,8	2		C
24		C649-000420	HOOK	2		D
25		C320-000531	LEVER, BRAKE	1		C
26		V356-000440	COLLAR,10	1	11.2*16.2*T0.6	C
27		V452-001281	SPRING,TORSION	1		B
28		177214-03930	WASHER	1		C
29		V804-000010	BOLT, TORX 4	1	TT-4*16 DG 10.9	C
30		V805-000010	BOLT, TORX 5	1	TT-5*20 DG 10.9	C
31		433116-35430	SPACER 8	1	8*12*9	C
32		X502-001050	LABEL,ECHO	1	D SIDE	D
33		X505-011830	LABEL,CAUTION	1	4SYMBOL+117DB	D

Class : Consumable class

A:Fast moving parts B:Semi-fast moving parts C:Slow moving parts D:Order only as needed

ACCESSORIES





ACCESSORIES

Key No.	LV (+)	Parts Number	Parts Description	Qty	Standard	Class
1		X602-000080	TOOL,WRENCH	1	13*19 L180	D
2		X490-000490	SCABBARD,CHAIN	1		D

Class : Consumable class

A:Fast moving parts B:Semi-fast moving parts C:Slow moving parts D:Order only as needed

GUIDE BAR, CHAIN

Pitch ピッチ	Gauge ゲージ	Length 長さ	Guide Bar ガイドバー		Saw Chain ソーチェン		Hard Nose ハード ノーズ 	Sprocket Nose スプロケット ノーズ 
			Key No	Type 形式	Key No	Type 形式		
.325 8.26	0.050 1.27	33	A1	B33S95-56ML- EB	A2	95TXL-56E		●
.325 8.26	0.050 1.27	38	B1	B38S95-64ML- EB	B2	95TXL-64E		●
.325 8.26	0.050 1.27	45	C1	B45S95-72ML- EB	C2	95TXL-72E		●
.325 8.26	0.050 1.27	50	D1	Y50S20-80AL- ED	D2	95TXL-80E		●

GUIDE BAR, CHAIN

Key No.	LV (+)	Parts Number	Parts Description	Qty	Standard	Class
A1		X122-000540	BAR,GUIDE 30	1	B33S95-56ML- EB	A
A2		X242-000010	CHAIN,SAW	1	95TXL-56E	A
B1		X123-000760	BAR,GUIDE 35	1	B38S95-64ML- EB	A
B2		X243-000020	CHAIN,SAW	1	95TXL-64E	A
C1		X125-000510	BAR,GUIDE 45	1	B45S95-72ML- EB	A
C2		X245-000060	CHAIN,SAW	1	95TXL-72E	A
D1		X126-000350	BAR,GUIDE 50	1	Y50S20-80AL- ED	A
D2		X246-000140	CHAIN,SAW	1	95TXL-80E	

Class : Consumable class

A:Fast moving parts B:Semi-fast moving parts C:Slow moving parts D:Order only as needed

NUMERICAL PARTS INDEX

Part No	Part description	Page	Part No	Part description	Page	Part No	Part description	Page
100142-12330	KEY, WOODRUFF	6	A369-000420	STRAINER, FUEL	16	P006-001410	GASKET,METERING	10
131300-56431	VENT ASSEMBLY, FUEL	16	A409-001330	ROTOR, MAGNETO	6	P006-001420	COVER,METERING	10
132115-01462	GROMMET	2	A411-002080	COIL, IGNITION	6	P006-001430	DIAPHRAGM, METERING	10
132115-55931	GROMMET, FUEL	16	A425-000000	SPARKPLUG	6	P006-001440	SCREW	10
145711-60631	STAY, MUFFLER	12	A426-000010	TERMINAL,SPARKPLUG	6	P006-001480	SPRING,METERING	10
150117-16430	SPACER	6	A427-000190	CAP,SPARK PLUG	6	P006-001490	SCREW	10
175019-39430	PLATE, CLUTCH	18	A444-000120	KNOB, SWITCH	16	P006-001510	NEEDLE	10
177214-03930	WASHER	18	A514-000050	PAWL	6	P006-001520	NEEDLE	10
177234-35430	SPRING, RETURN	6	A552-000470	HUB, CLUTCH	18	P006-001530	PUMP COVER ASY	10
177236-61830	SCREW	14	A556-000481	DRUM, CLUTCH	18	P006-001550	SHAFT ASY,THROTTLE	10
178090-37930	LOCKOUT, T. CONTROL	16	A957-000000	VALVE,THROTTLE	10	P021-007051	CLUTCH SHOE SET	18
178810-14535	GROMMET	16	C022-000010	OILER,ASM AUTO	2	P022-001330	SPRING KIT, REWIND	14
433116-35430	SPACER 8	18	C236-000160	COVER,OILER	2	P022-033280	SPRING CASE	14
436114-13930	VALVE, CHECK	4	C300-001162	GUARD, SPROCKET	18	P022-050400	STARTER CASE	14
900330-30120	ROLLER	18	C304-000330	SPIKED	4	P022-050410	DRUM, STARTER	14
900330-40298	ROLLER	16	C309-000070	TENSIONER, CHAIN	18	P022-050420	SPRING,DAMPER	14
900515-00008	NUT, FLANGE	6	C310-000150	CATCHER, CHAIN	4	P022-050430	PLATE, CAM	14
900720-20029	O-RING	4	C320-000531	LEVER, BRAKE	18	P022-050440	ROPE, STARTER	14
900720-20029	O-RING	16	C328-000110	BAND, BRAKE	18	P022-050450	GRIP, STARTER	14
900724-00022	O-RING	8	C334-000100	CONNECTOR, BRAKE	18	P100-001900	STRAINER, OIL	2
900810-36202	BEARING, BALL	2	C345-000651	COVER,BRAKE	18	P100-004610	CAP,OIL ASY	4
A021-005560	CARBURETOR, DIAPHRAGM	8	C400-001631	HANDLE, FRONT	16	P100-004640	CAP,FUEL ASY	16
A021-005560	CARBURETOR, DIAPHRAGM	10	C411-000230	LID,HANDLE	16	P100-004653	GUARD, SPROCKET ASY	18
A035-000040	PUMP, FUEL	16	C450-001041	CONTROL, THROTTLE	16	P100-012490	CYLINDER ASY	2
A051-003300	STARTER,RECOIL ASY	14	C454-000570	ROD, THROTTLE	16	P100-012500	PISTON KIT	2
A056-000840	CLUTCH ASY	18	C649-000420	HOOK	18	P100-012510	CRANKSHAFT ASY	2
A101-000840	RING, PISTON	2	P006-000110	PIN, METERING LEVER	10	P100-012520	MUFFLER ASY	12
A160-003360	COVER,CYLINDER	4	P006-000120	LEVER, METERING	10	P100-012530	COVER ENGINE ASY	4
A161-000350	DUCT, AIR	8	P006-000130	VALVE, INLET NEEDLE	10	P100-012540	HANDLE ASY, REAR	16
A161-000370	DUCT, AIR	4	P006-000200	SCREEN,INLET	10	V104-002340	GASKET,EXHAUST	12
A172-003291	COVER,FAN	14	P006-000760	PIN, METERING LEVER	10	V187-000010	NIPPLE	2
A200-001150	INSULATOR, INTAKE	8	P006-001010	SCREW	10	V203-000110	BOLT,5	18
A200-001160	INSULATOR, INTAKE	8	P006-001060	CLIP, THROTTLE SHAFT	10	V203-002250	BOLT,5	6
A202-000320	BELLOWS, INTAKE	8	P006-001260	SCREW	10	V203-002380	BOLT,5	4
A202-000380	BELLOWS, INTAKE	8	P006-001290	SPRING, CHOKE RETURN	10	V225-000400	BOLT,STUD 8	4
A203-000090	SEAL	2	P006-001300	SCREW	10	V265-000550	NUT,8	18
A225-000730	CASE,CLEANER	8	P006-001310	LEVER	10	V308-000030	WASHER,CIRCULAR 11	2
A226-002150	ELEMENT, AIR FILTER	8	P006-001320	LEVER,THROTTLE	10	V308-000040	WASHER,CIRCULAR 11	2
A232-001940	LID,CLEANER	8	P006-001330	SHAFT, CHOKE ASY	10	V355-000140	COLLAR,8	18
A235-000440	KNOB,CLEANER LID	8	P006-001340	VALVE, CHOKE	10	V356-000390	COLLAR,10	2
A241-000370	KNOB, CHOKE	16	P006-001350	SPRING, THRT. RETURN	10	V356-000440	COLLAR,10	18
A310-000600	SCREEN, ARRESTOR	12	P006-001370	SCREW	10	V420-001790	CUSHION	4
A365-000050	CONNECTOR,CAP	4	P006-001390	DIAPHRAGM PUMP	10	V420-005250	CUSHION	8
A365-000050	CONNECTOR,CAP	16	P006-001400	GASKET, FUEL PUMP	10	V420-005260	CUSHION	8
						V420-005270	CUSHION	16

NUMERICAL PARTS INDEX

Part No	Part description	Page	Part No	Part description	Page
V450-000070	SPRING,COMPRESSION	18	V805-000240	BOLT, TORX 5	16
V450-002180	SPRING,COMPRESSION	16	V805-000250	BOLT, TORX 5	2
V450-002190	SPRING,COMPRESSION	16	V805-000250	BOLT, TORX 5	12
V450-002200	SPRING,COMPRESSION	16	V805-000270	BOLT, TORX 5	4
V451-000500	SPRING,TENSION	18	X122-000540	BAR,GUIDE 30	22
V452-000260	SPRING,TORSION	16	X123-000760	BAR,GUIDE 35	22
V452-001281	SPRING,TORSION	18	X125-000510	BAR,GUIDE 45	22
V453-000260	SPRING,FLAT	8	X126-000350	BAR,GUIDE 50	22
V456-000240	HOLDER,SPRING	16	X242-000010	CHAIN,SAW	22
V471-000761	PIPE	8	X243-000020	CHAIN,SAW	22
V471-001241	PIPE	16	X245-000060	CHAIN,SAW	22
V471-001291	PIPE	16	X246-000140	CHAIN,SAW	22
V471-005181	PIPE	16	X490-000490	SCABBARD,CHAIN	20
V471-005191	PIPE	2	X502-001050	LABEL,ECHO	18
V471-005191	PIPE	16	X502-001060	LABEL,ECHO	4
V471-005201	PIPE	2	X503-016330	LABEL,MODEL	14
V475-009180	TUBE	6	X503-016340	LABEL,MODEL	8
V485-002960	LEAD	6	X505-011830	LABEL,CAUTION	18
V485-002970	LEAD	6	X602-000080	TOOL,WRENCH	20
V486-000540	TERMINAL,LEAD	16			
V490-001230	CLIP	2			
V490-001230	CLIP	16			
V490-001240	CLIP	16			
V508-000110	SEAL,OIL 15	2			
V555-000170	BEARING,NEEDLE 10	18			
V556-000040	BEARING,NEEDLE 11	2			
V580-000030	RING,END	2			
V582-000280	RING,SNAP	8			
V609-000090	PIN,ENG 11	2			
V651-001040	GEAR,BEVEL	18			
V651-001050	GEAR,BEVEL	18			
V652-000030	GEAR,WORM	2			
V804-000000	BOLT, TORX 4	2			
V804-000000	BOLT, TORX 4	8			
V804-000010	BOLT, TORX 4	18			
V804-000030	BOLT, TORX 4	12			
V804-000050	BOLT, TORX 4	8			
V805-000010	BOLT, TORX 5	4			
V805-000010	BOLT, TORX 5	14			
V805-000010	BOLT, TORX 5	16			
V805-000010	BOLT, TORX 5	18			
V805-000040	BOLT, TORX 5	8			
V805-000140	BOLT, TORX 5	2			
V805-000140	BOLT, TORX 5	16			
V805-000210	BOLT, TORX 5	6			