



PARTS CATALOG

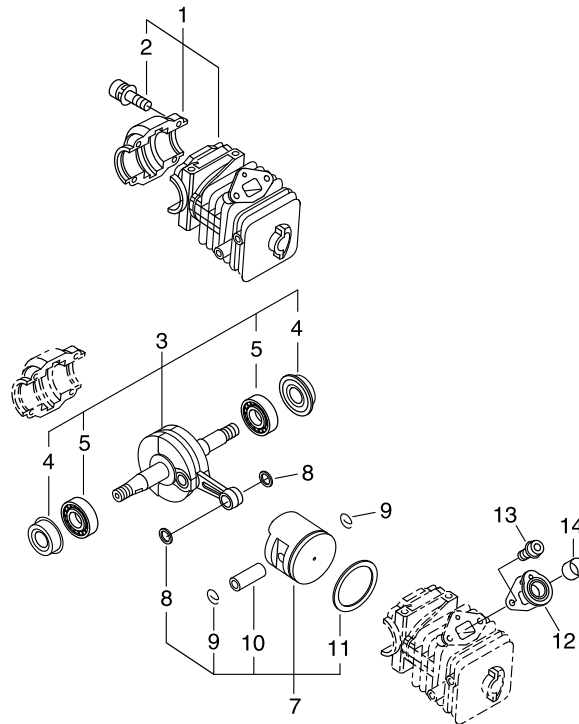
CHAIN SAW CS-281WES(37)

37000001 -



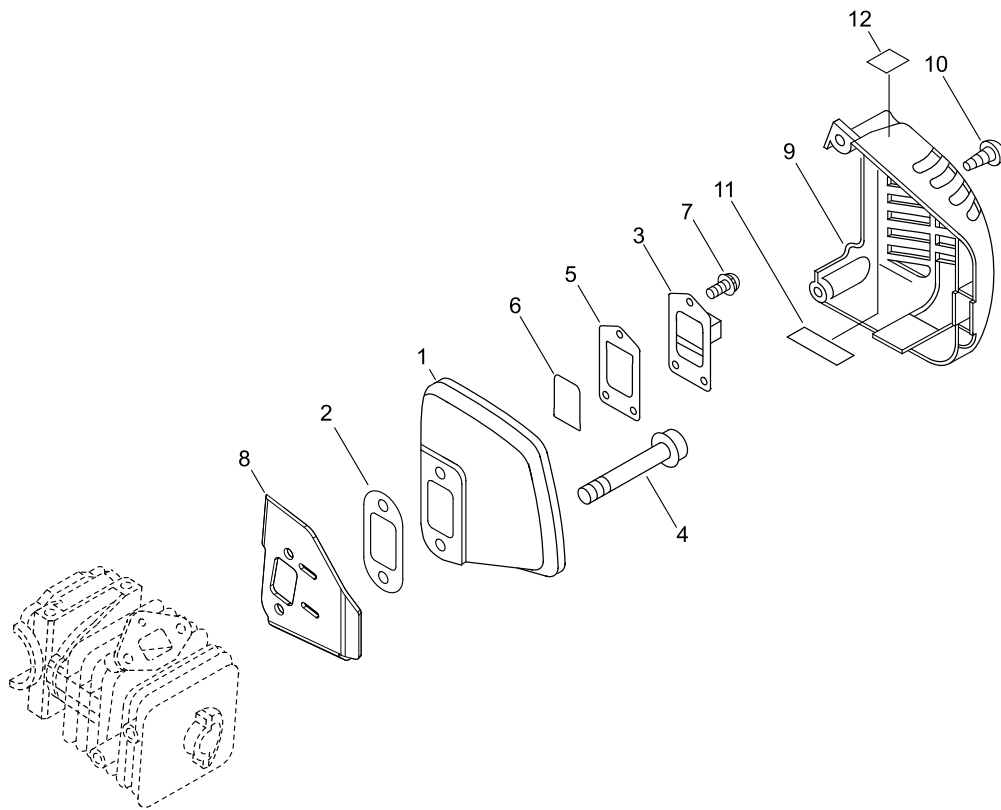
P014-003940-14Fb

1. CYLINDER, CRANKCASE, PISTON



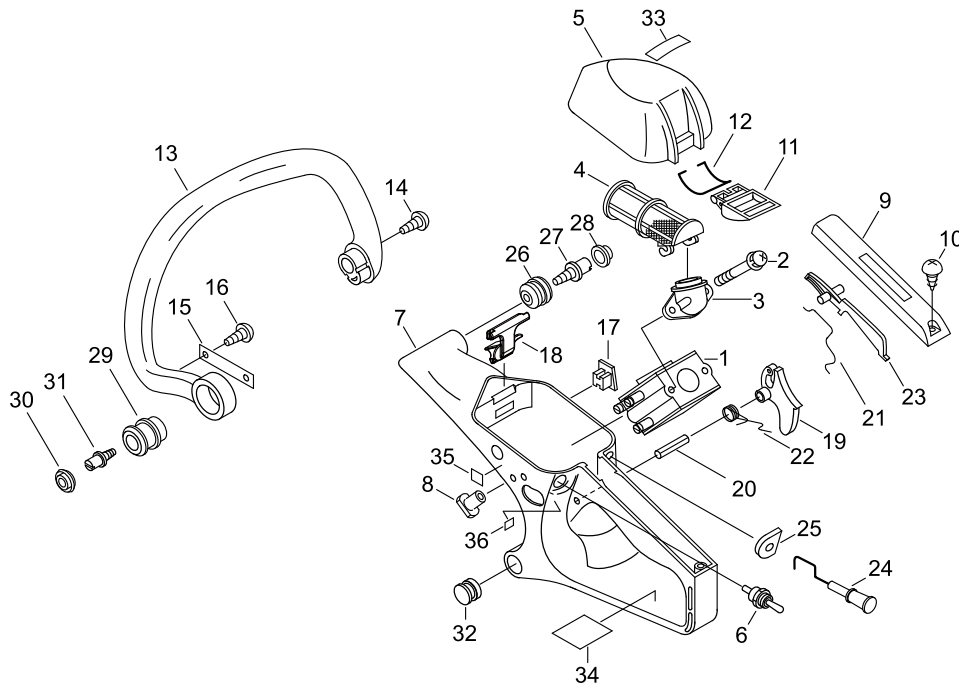
KEY	LV	PART NUMBER	Q'TY	DESCRIPTION	REMARKS	NOTE1	NOTE2
1		P021-044050	1	CYLINDER KIT	CS-271T		
2	+	900162-05022	4	BOLT, H.S. 5*22	5*22 W,SW		
3		P021-038072	1	CRANKSHAFT ASY			
4	+	V505-000001	2	SEAL,OIL	12*28*5.5		
5	+	900800-36001	2	BEARING, BALL 6001	6001/C3		
7		P021-044060	1	PISTON KIT	CS-271T		
8	+	100014-11520	2	SPACER, PISTON PIN			
9	+	100015-04630	2	CIRCLIP, PISTON PIN			
10	+	100013-22330	1	PIN, PISTON			
11	+	A101-000630	1	RING, PISTON			
12		A202-000001	1	BELLOWS,INTAKE			
13		900162-04012	2	BOLT, H.S. 4*12	4*12 W,SW		
14		V358-000021	1	COLLAR,14			

2. MUFFLER



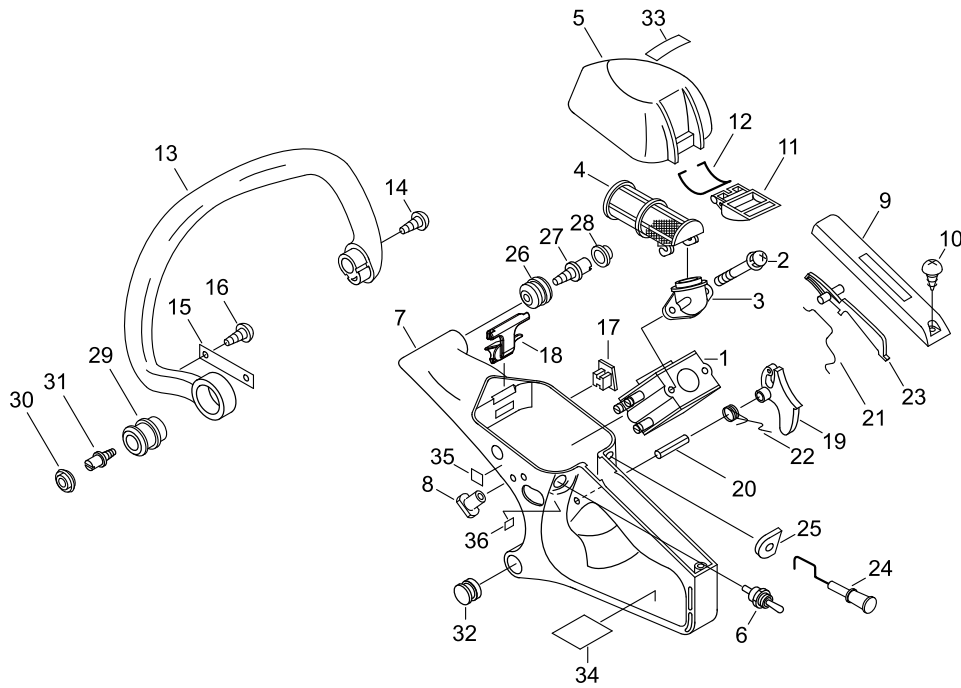
KEY	LV	PART NUMBER	Q'TY	DESCRIPTION	REMARKS	NOTE1	NOTE2
1		A300-001641	1	MUFFLER, EXHAUST			
2		V104-001860	1	GASKET, EXHAUST			
3		A313-001970	1	GUIDE, EXHAUST	T0.6		
4		91107-05045	2	BOLT HSH FLANGE	M5*45		
5		V104-001850	1	GASKET, EXHAUST			
6		A310-000420	1	SCREEN, ARRESTOR			
7		900242-04010	3	SCREW 4*10	4*10		
8		A312-000060	1	PLATE, EXHUST			
9		A320-001030	1	COVER, MUFFLER			
10		900253-04016	2	SCREW 4*16	4*16		
11		V341-000180	1	WASHER, SQUARE	54*14 T0.15		
12		X505-007710	1	LABEL, CAUTION			

3. HANDLE



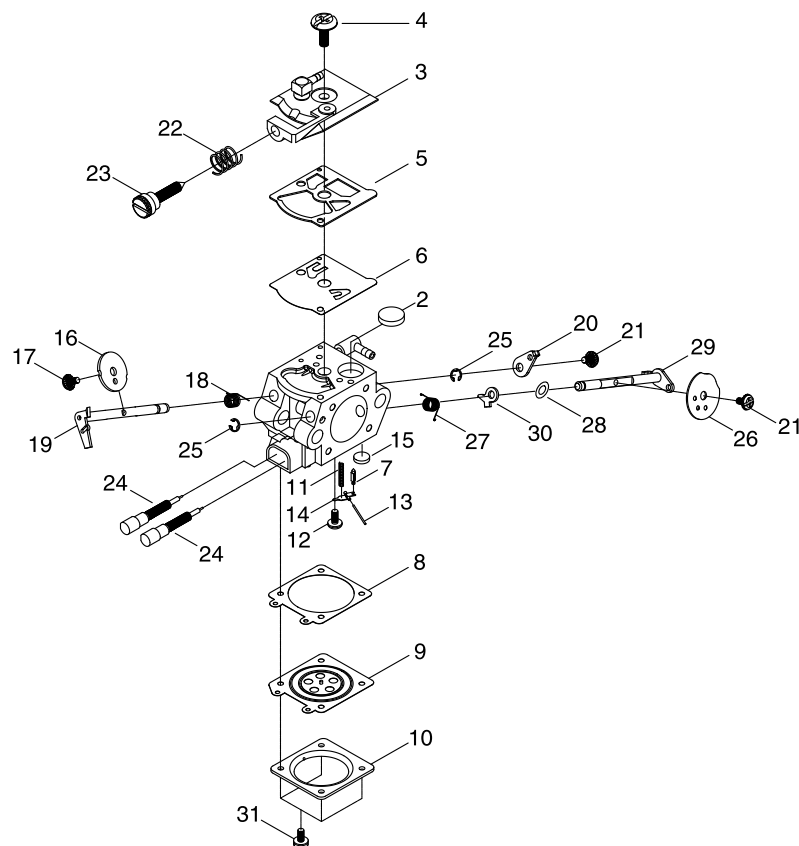
KEY	LV	PART NUMBER	Q'TY	DESCRIPTION	REMARKS	NOTE1	NOTE2
1		A021-004290	1	CARBURETOR, DIAPHRAGM			
2		900238-05050	2	SCREW 5*50	5*50		
3		A204-000060	1	ELBOW,CARBURETOR			
4		A226-000260	1	ELEMENT,AIR FILTER			
5		A232-000191	1	LID,CLEANER			
6		A440-000430	1	SWITCH,ON OFF			
7		C410-000157	1	HANDLE,REAR			
8		130020-33330	2	NUT			
9		C411-000001	1	LID,HANDLE			
10		900253-04012	1	SCREW	4*12		
11		A235-000140	1	KNOB,CLEANER LID			
12		V582-000020	1	RING,SNAP	CSE2700		
13		C400-000200	1	HANDLE,FRONT			
14		900253-05020	2	SCREW 5*20	5*20		
15		C617-000200	1	STOPPER			
16		900253-04008	1	SCREW 4*8	4*8		
17		V141-000050	1	GROMMET,PLUG			
18		V142-000030	1	GROMMET,DUST			
19		C450-000141	1	TRIGGER,THROTTLE			
20		900345-40025	1	PIN, SPRING 4*25SUS	4*25SUS		
21		C454-000080	1	ROD,THROTTLE			
22		V452-000260	1	SPRING,TORSION			
23		178090-37930	1	LOCKOUT, T. CONTROL			
24		A241-000060	1	KNOB,CHOKE			
25		V130-000000	1	GROMMET,CHOKE			

3. HANDLE



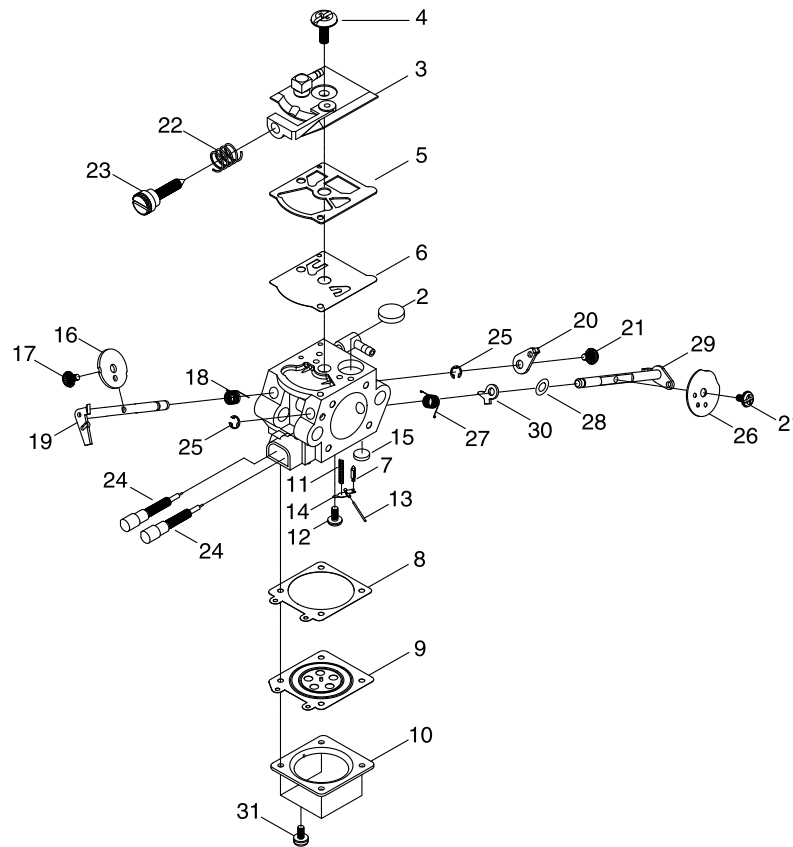
KEY	LV	PART NUMBER	Q'TY	DESCRIPTION	REMARKS	NOTE1	NOTE2
26		V401-000560	1	CUSHION,5			
27		V202-000670	1	BOLT,4			
28		100918-15130	1	CAP			
29		100910-60030	1	CUSHION			
30		100918-19830	1	CAP, CUSHION			
31		100915-33930	1	SCREW			
32		V420-000930	1	CUSHION			
33		X503-012970	1	LABEL,MODEL	CS-281WES EU ST2		
34		890345-39231	1	LABEL,CAUTION			
35		X505-006921	1	LABEL,CAUTION	13000R/MIN		
36		890157-39131	1	LABEL, SWITCH			

4. CARBURETOR



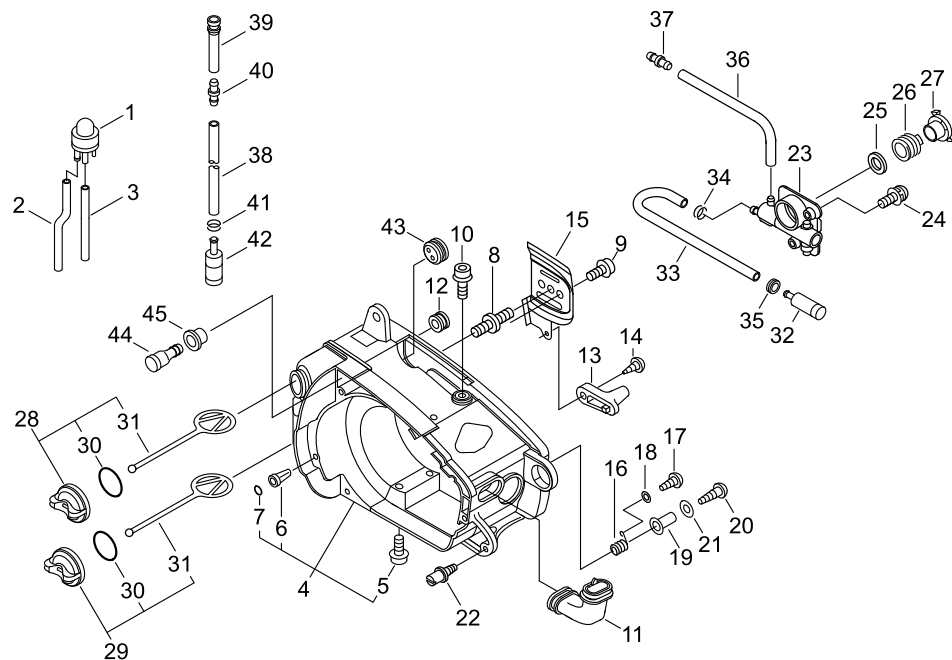
KEY	LV	PART NUMBER	Q'TY	DESCRIPTION	REMARKS	NOTE1	NOTE2
		A021-004290	1	CARBURETOR, DIAPHRAGM			
2	+	123126-10631	1	SCREEN, INLET			
3	+	123124-24430	1	COVER, FUEL PUMP			
4	+	P003-005120	1	SCREW			
5	+	123125-15030	1	GASKET, FUEL PUMP			
6	+	123112-15030	1	DIAPHRAGM, FUEL PUMP			
7	+	123137-19830	1	VALVE, INLET NEEDLE			
8	+	123140-03930	1	GASKET, M. DIAPHRAGM			
9	+	P003-001850	1	DIAPHRAGM, METERING			
10	+	123142-03930	1	COVER, M. DIAPHRAGM			
11	+	123122-03660	1	SPRING, METER. LEVER			
12	+	123139-03930	1	SCREW, M. LEVER PIN			
13	+	123138-03930	1	PIN, METERING LEVER			
14	+	123123-03930	1	LEVER, METERING			
15	+	123146-10631	1	PLUG, WELCH			
16	+	123116-05960	1	VALVE, THROTTLE			
17	+	P003-002380	1	SCREW			
18	+	123113-37530	1	SPRING, THROTTLE RTN			
19	+	P003-001300	1	SHAFT, THROTTLE			
20	+	P003-001040	1	LEVER THROTTLE			
21	+	123114-38830	2	SCREW			
22	+	123133-04260	1	SPRING, IDLE ADJUST			
23	+	123134-04260	1	SCREW, IDLE ADJUST			
24	+	P003-004190	2	NEEDLE			
25	+	123127-15030	2	RING			

4. CARBURETOR



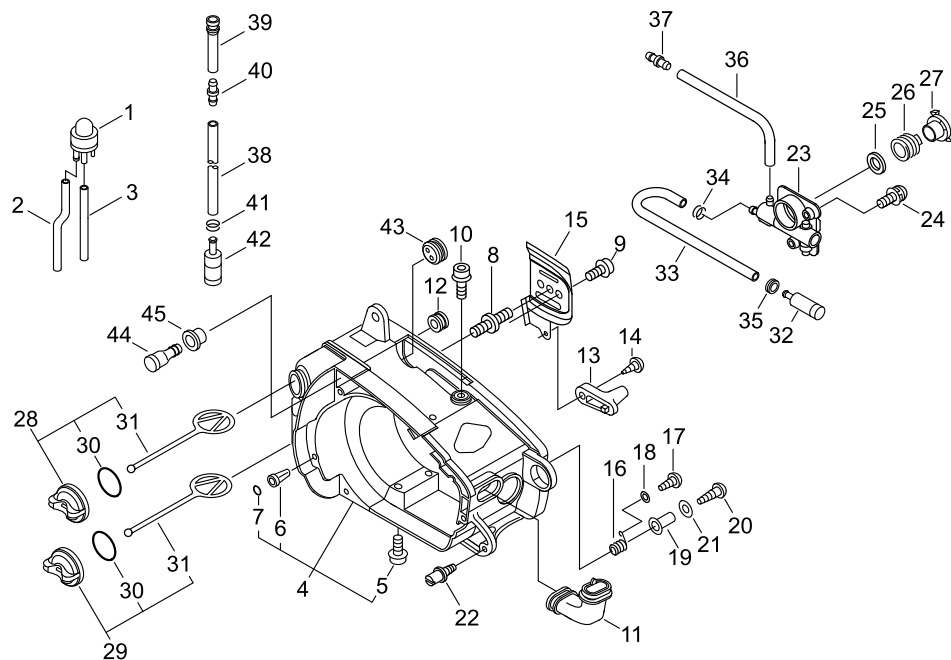
KEY	LV	PART NUMBER	Q'TY	DESCRIPTION	REMARKS	NOTE1	NOTE2
26	+	P003-000410	1	VALVE CHOKE			
27	+	P003-002260	1	SPRING			
28	+	123149-26030	1	WASHER			
29	+	P003-001140	1	SHAFT, CHOKE			
30	+	P003-001510	1	LEVER-FAST IDLE			
31	+	123130-02960	4	SCREW			

5. ENGINE COVER



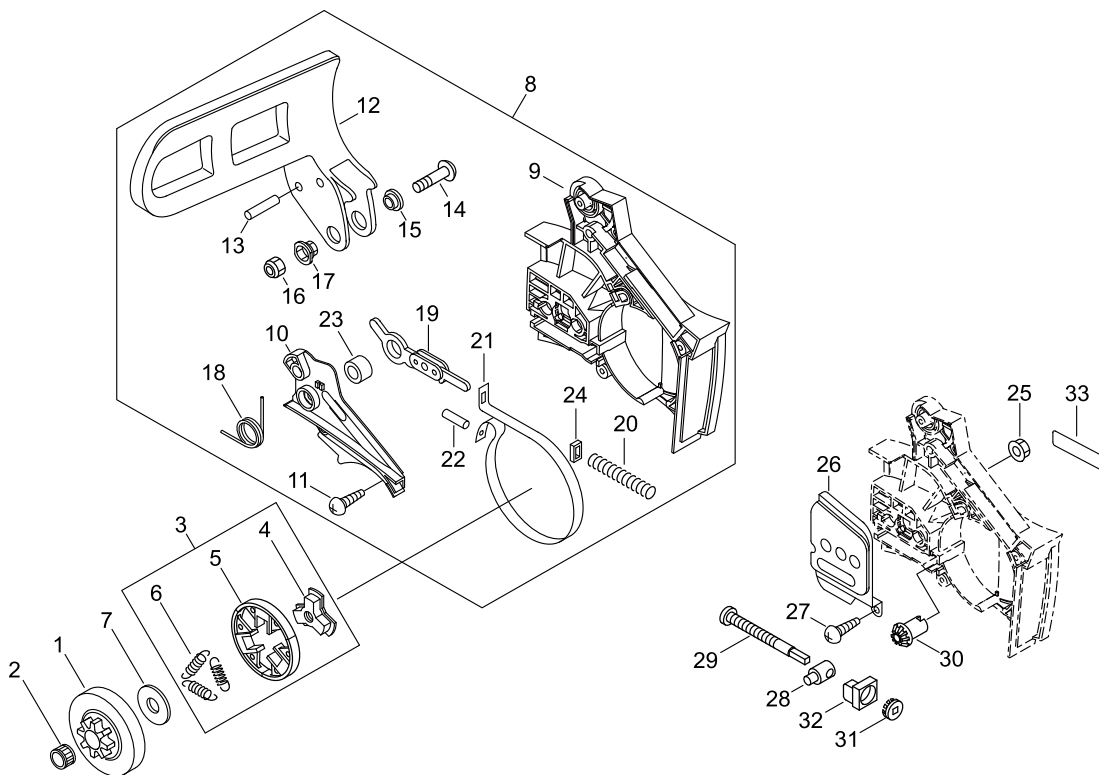
KEY	LV	PART NUMBER	Q'TY	DESCRIPTION	REMARKS	NOTE1	NOTE2
1		123181-39130	1	PUMP, PRIMER			
2		V471-001270	1	PIPE	2.4*5*285		
3		V471-001280	1	PIPE	2.4*5*105		
4		P021-003438	1	COVER ENGINE			
5	+	900106-05025	2	BOLT, H.S. 5*25	5*25		
6	+	436114-13930	1	VALVE, CHECK			
7	+	900724-00004	1	O-RING (S-4)	S-4		
8		V225-000031	1	BOLT,STUD 8	M8		
9		V202-000011	2	BOLT,4	4*12		
10		900162-05018	2	BOLT, H.S. 5*18	5*18 W,SW		
11		A239-000030	1	PIPE,INTAKE	L TYPE		
12		163911-30130	1	PLUG			
13		433026-35430	1	CATCHER, CHAIN			
14		900253-05020	1	SCREW 5*20	5*20		
15		C305-000023	1	PLATE,SPROCKET GUARD			
16		V450-000080	1	SPRING,COMPRESSION			
17		900253-04012	1	SCREW	4*12		
18		900602-00004	1	WASHER 4	4.3*9*0.8		
19		V352-000020	1	COLLAR,4			
20		91481-04035	1	SCREW TAPPING			
21		177214-04630	1	WASHER	4.1*15.5*1T		
22		V202-000020	1	BOLT,4			
23		C022-000020	1	AUTO-OILER ASSEMBLY			
24		900238-04012	2	SCREW 4*12	4*12		

5. ENGINE COVER



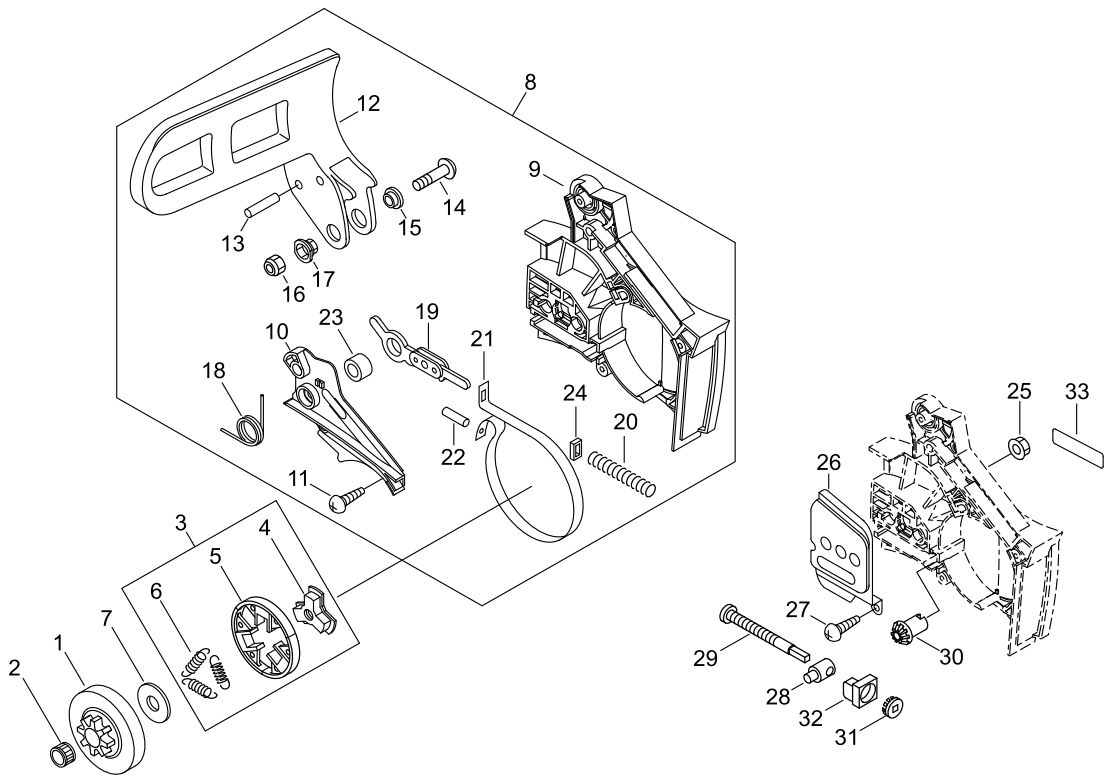
KEY	LV	PART NUMBER	Q'TY	DESCRIPTION	REMARKS	NOTE1	NOTE2
25		V308-000030	1	WASHER,CIRCULAR 11	10.5*17.4*1.8		
26		V652-000030	1	GEAR,WORM			
27		V356-000290	1	COLLAR,10			
28		P021-005591	1	CAP ASY			
30	+	900720-00018	1	O-RING 18	P-18		
31	+	A365-000050	1	CONNECTOR,CAP			
29		P021-005581	1	OIL CAP ASY			
30	+	900720-00018	1	O-RING 18	P-18		
31	+	A365-000050	1	CONNECTOR,CAP			
32		436205-02832	1	STRAINER, OIL			
33		132010-22130	1	PIPE, FUEL	3*6*150L NBR		
34		V490-001230	1	CLIP			
35		132115-01461	1	GROMMET			
36		132012-11960	1	PIPE 3* 6* 45	3*6*45 NBR		
37		V187-000010	1	NIPPLE			
38		V471-001230	1	PIPE	3*5*210 NBR		
39		V470-000321	1	PIPE	10*6*L32		
40		V186-000510	1	JOINT,PIPE			
41		V490-001240	1	CLIP			
42		A369-000420	1	STRAINER, FUEL	ES-16499		
43		132115-44330	2	GROMMET			
44		131300-56431	1	VENT ASSEMBLY, FUEL			
45		V137-000000	1	GROMMET,FUEL			

6. CLUTCH, SPROCKET



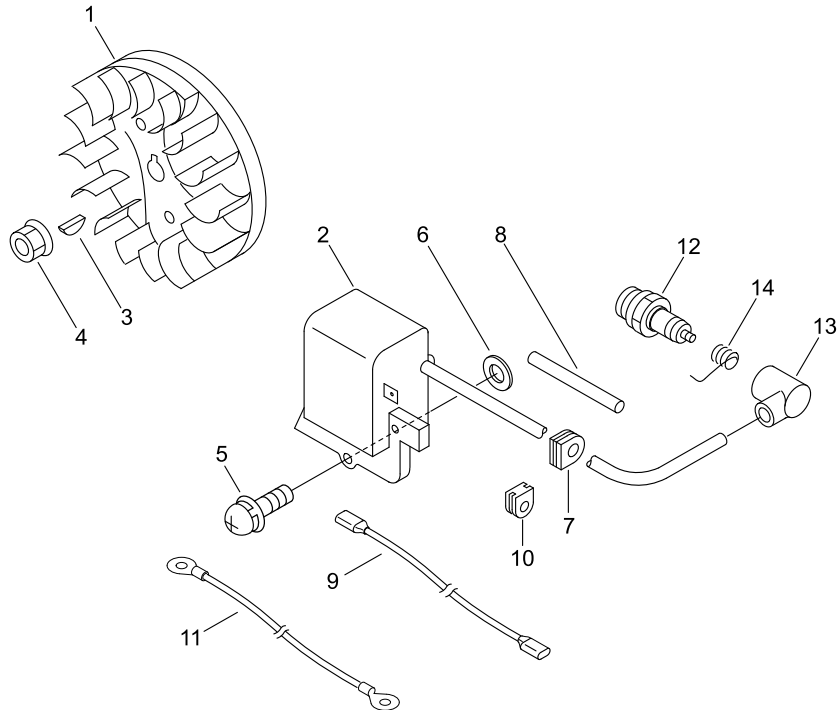
KEY	LV	PART NUMBER	Q'TY	DESCRIPTION	REMARKS	NOTE1	NOTE2
1		A556-000091	1	DRUM,CLUTCH	3/8A		
2		V555-000170	1	BEARING,NEEDLE 10	8E-KV10*13*12.8		
3		A056-000030	1	CLUTCH			
4	+	A552-000020	1	HUB,CLUTCH			
5	+	P021-001950	1	CLUTCH SHOE SET			
6	+	V451-000150	3	SPRING,TENSION			
7		A551-000010	1	PLATE,CLUTCH			
8		C032-000137	1	BRAKE,ASM CHAIN			
9	+	C300-000172	1	GUARD,SPROCKET			
10	+	C345-000114	1	COVER,BRAKE			
11	+	900253-04012	2	SCREW	4*12		
12	+	C320-000047	1	LEVER,BRAKE			
13	+	900330-30260	2	ROLLER 3*26	3*26		
14	+	91318-05032	1	SCREW	5*32		
15	+	433167-39130	1	SPACER			
16	+	900562-50005	1	LOCKNUT 5	5		
17	+	V353-000060	1	COLLAR,5			
18	+	V452-000110	1	SPRING,TORSION			
19	+	C334-000070	1	CONNECTOR,BRAKE			
20	+	V450-000070	1	SPRING,COMPRESSION			
21	+	C328-000020	1	BAND,BRAKE			
22	+	93050-30098	1	ROLLER	F3*9.8		
23	+	433116-35430	1	SPACER 8	8*12*9		
24	+	V376-000450	1	SPACER			

6. CLUTCH, SPROCKET



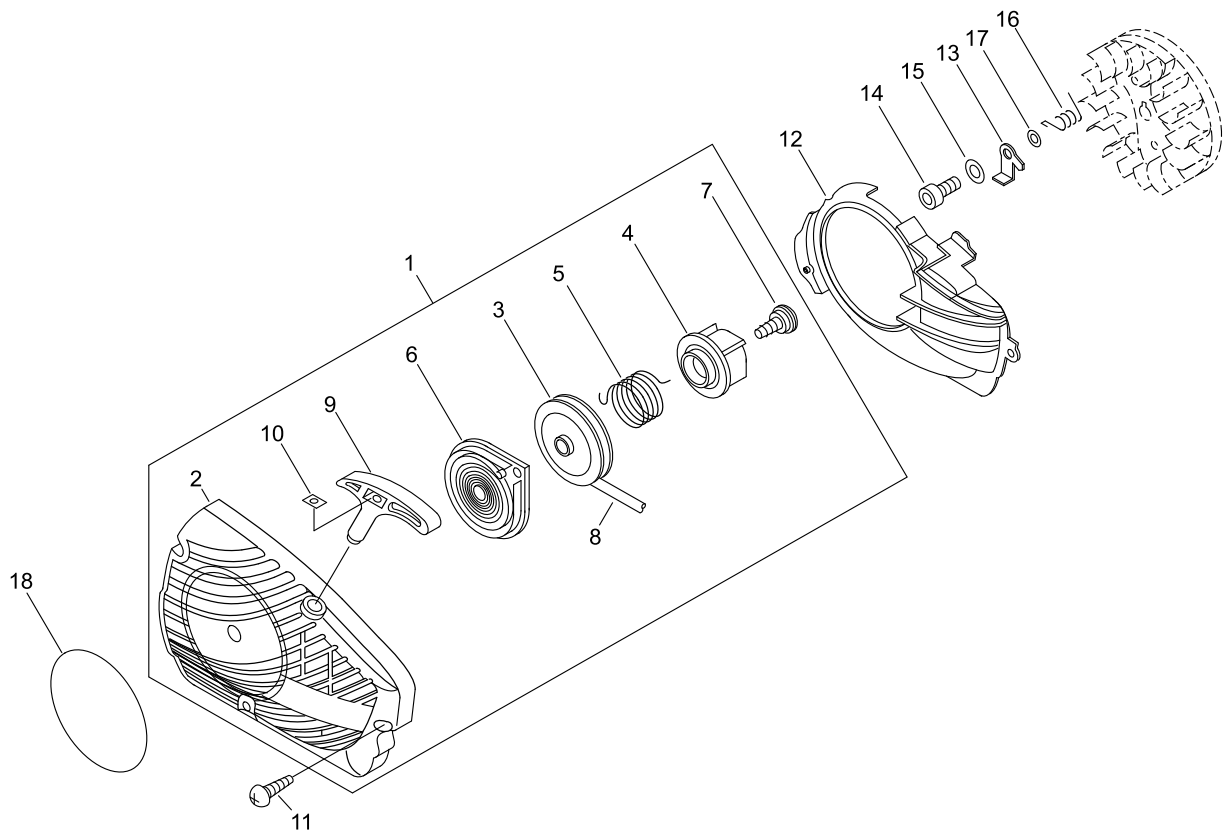
KEY	LV	PART NUMBER	Q'TY	DESCRIPTION	REMARKS	NOTE1	NOTE2
25		V265-000200	1	NUT			
26		C305-000031	1	PLATE,SPROCKET GUARD			
27		900253-04012	1	SCREW	4*12		
28		C309-000030	1	TENSIONER,CHAIN			
29		V203-000021	1	BOLT,5			
30		V651-000001	1	GEAR,BEVEL			
31		V651-000011	1	GEAR,BEVEL			
32		V355-000800	1	COLLAR,8			
33		X502-000340	1	LABEL,ECHO	ECHO(WHITE)		

7. MAGNETO



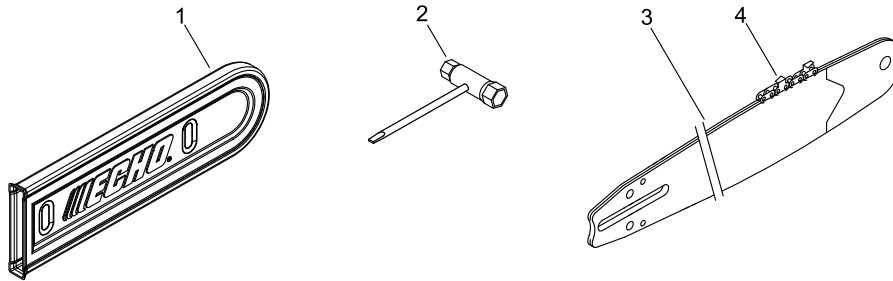
KEY	LV	PART NUMBER	Q'TY	DESCRIPTION	REMARKS	NOTE1	NOTE2
1		A409-001130	1	ROTOR, MAGNETO			
2		A411-001590	1	COIL, IGNITION			
3		100142-12330	1	KEY, WOODRUFF			
4		900515-00008	1	NUT, FLANGE 8	8		
5		900238-05018	2	SCREW 5*18	5*18		
6		150117-16430	2	SPACER			
7		156110-04920	1	BUSHING			
8		V475-001900	1	TUBE	7*8.6*30		
9		V485-000390	1	LEAD	JIS LA105,10.2		
10		156114-07320	1	GROMMET			
11		V485-000380	1	LEAD			
12		A425-000000	1	SPARKPLUG	BPMR8Y		
13		A427-000000	1	CAP, SPARK PLUG			
14		A426-000000	1	TERMINAL, SPARKPLUG			

8. RECOIL STARTER





KEY	LV	PART NUMBER	Q'TY	DESCRIPTION	REMARKS	NOTE1	NOTE2
1		A051-002421	1	STARTER,RECOIL ASY			
2	+	P022-037530	1	STARTER,RECOIL			
3	+	A506-000460	1	REEL,ROPE			
4	+	A507-000110	1	CATCHER,PAWL			
5	+	V452-001320	1	SPRING,TORSION			
6	+	P022-001330	1	SPRING KIT, REWIND			
7	+	177236-61830	1	SCREW			
8	+	P022-006220	1	ROPE			
9	+	P022-001320	1	GRIP, STARTER			
10	+	P022-037670	1	STOPPER, ROPE			
11		900256-04016	3	SCREW 4*16			
12		A172-002040	1	COVER,FAN			
13		A514-000020	2	PAWL			
14		V203-000080	2	BOLT,5	5*14		
15		900603-00005	2	WASHER 5	5.5*12*0.8		
16		V452-000030	2	SPRING,TORSION			
17		177247-04630	2	SPACER, RATCHET	5.2*8*2.1		
18		X502-000780	1	LABEL,ECHO			

9. ACCESSORIES



KEY	LV	PART NUMBER	Q'TY	DESCRIPTION	REMARKS	NOTE1	NOTE2
1		X490-000510	1	SCABBARD,CHAIN			
2		X602-000150	1	PLUG WRENCH			
3		X122-000072	1	BAR,GUIDE 30	30RC50M-3/8 ECHO		
4		X222-000140	1	CHAIN,SAW	91PX-47E		

10. GUIDE BAR, CHAIN

Pitch ピッチ	Gauge ゲージ	Length 長さ	Guide Bar ガイドバー		Saw Chain ソーチェーン		Hard Nose ハード ノーズ	Sprocket Nose スプロケット ノーズ
			Key No	Type 形式	Key No	Type 形式		
3/8 9.53	0.050 1.27	20	A1	20RC50S-3/8	A2	91PX-35E		
3/8 9.53	0.050 1.27	25	B1	25RC50S-3/8	B2	91PX-40E		●
3/8 9.53	0.050 1.27	30	C1	30RC50M-3/8	C2	91PX-47E		●
1/4 6.35	0.050 1.27	30	D1	30C50SL	D2	91VXL-53E	●	
					D3	91PX-53E		

KEY	LV	PART NUMBER	Q'TY	DESCRIPTION	REMARKS	NOTE1	NOTE2
A1		X120-000020	1	BAR,GUIDE20RC50S-3/8	20RC50S-3/8		
A2		X220-000020	1	CHAIN,SAW	91PX-35E		
B1		X121-000002	1	BAR,GUIDE25RC50S-3/8	25RC50S-3/8		
B2		X221-000100	1	CHAIN,SAW	91PX-40E		
C1		X122-000072	1	BAR,GUIDE 30	30RC50M-3/8 ECHO		
C2		X222-000140	1	CHAIN,SAW	91PX-47E		
D1		X102-000070	1	BAR,GUIDE 30	30C50SL ECHO		
D2		431611-10030	1	CHAIN, SAW 25AP-68E	25AP-68E		
D3		X202-000010	1	CHAIN,SAW	25A-68E		

Index

Patrs Number	Key No.	Patrs Number	Key No.	Patrs Number	Key No.
100013-22330	1 - 10	890157-39131	3 - 36	A313-001970	2 - 3
100014-11520	1 - 8	890345-39231	3 - 34	A320-001030	2 - 9
100015-04630	1 - 9	900106-05025	5 - 5	A365-000050	5 - 31
100142-12330	7 - 3	900162-04012	1 - 13	A365-000050	5 - 31
100910-60030	3 - 29	900162-05018	5 - 10	A369-000420	5 - 42
100915-33930	3 - 31	900162-05022	1 - 2	A409-001130	7 - 1
100918-15130	3 - 28	900238-04012	5 - 24	A411-001590	7 - 2
100918-19830	3 - 30	900238-05018	7 - 5	A425-000000	7 - 12
123112-15030	4 - 6	900238-05050	3 - 2	A426-000000	7 - 14
123113-37530	4 - 18	900242-04010	2 - 7	A427-000000	7 - 13
123114-38830	4 - 21	900253-04008	3 - 16	A440-000430	3 - 6
123116-05960	4 - 16	900253-04012	3 - 10	A506-000460	8 - 3
123122-03660	4 - 11	900253-04012	5 - 17	A507-000110	8 - 4
123123-03930	4 - 14	900253-04012	6 - 11	A514-000020	8 - 13
123124-24430	4 - 3	900253-04012	6 - 27	A551-000010	6 - 7
123125-15030	4 - 5	900253-04016	2 - 10	A552-000020	6 - 4
123126-10631	4 - 2	900253-05020	3 - 14	A556-000091	6 - 1
123127-15030	4 - 25	900253-05020	5 - 14	C022-000020	5 - 23
123130-02960	4 - 31	900256-04016	8 - 11	C032-000137	6 - 8
123133-04260	4 - 22	900330-30260	6 - 13	C300-000172	6 - 9
123134-04260	4 - 23	900345-40025	3 - 20	C305-000023	5 - 15
123137-19830	4 - 7	900515-00008	7 - 4	C305-000031	6 - 26
123138-03930	4 - 13	900562-50005	6 - 16	C309-000030	6 - 28
123139-03930	4 - 12	900602-00004	5 - 18	C320-000047	6 - 12
123140-03930	4 - 8	900603-00005	8 - 15	C328-000020	6 - 21
123142-03930	4 - 10	900720-00018	5 - 30	C334-000070	6 - 19
123146-10631	4 - 15	900720-00018	5 - 30	C345-000114	6 - 10
123149-26030	4 - 28	900724-00004	5 - 7	C400-000200	3 - 13
123181-39130	5 - 1	900800-36001	1 - 5	C410-000157	3 - 7
130020-33330	3 - 8	91107-05045	2 - 4	C411-000001	3 - 9
131300-56431	5 - 44	91318-05032	6 - 14	C450-000141	3 - 19
132010-22130	5 - 33	91481-04035	5 - 20	C454-000080	3 - 21
132012-11960	5 - 36	93050-30098	6 - 22	C617-000200	3 - 15
132115-01461	5 - 35	A021-004290	3 - 1	P003-000410	4 - 26
132115-44330	5 - 43	A021-004290	4 -	P003-001040	4 - 20
150117-16430	7 - 6	A051-002421	8 - 1	P003-001140	4 - 29
156110-04920	7 - 7	A056-000030	6 - 3	P003-001300	4 - 19
156114-07320	7 - 10	A101-000630	1 - 11	P003-001510	4 - 30
163911-30130	5 - 12	A172-002040	8 - 12	P003-001850	4 - 9
177214-04630	5 - 21	A202-000001	1 - 12	P003-002260	4 - 27
177236-61830	8 - 7	A204-000060	3 - 3	P003-002380	4 - 17
177247-04630	8 - 17	A226-000260	3 - 4	P003-004190	4 - 24
178090-37930	3 - 23	A232-000191	3 - 5	P003-005120	4 - 4
431611-10030	10 - D2	A235-000140	3 - 11	P021-001950	6 - 5
433026-35430	5 - 13	A239-000030	5 - 11	P021-003438	5 - 4
433116-35430	6 - 23	A241-000060	3 - 24	P021-005581	5 - 29
433167-39130	6 - 15	A300-001641	2 - 1	P021-005591	5 - 28
436114-13930	5 - 6	A310-000420	2 - 6	P021-038072	1 - 3
436205-02832	5 - 32	A312-000060	2 - 8	P021-044050	1 - 1

Index

Patrs Number	Key No.	Patrs Number	Key No.	Patrs Number	Key No.
P021-044060	1 - 7	V582-000020	3 - 12		
P022-001320	8 - 9	V651-000001	6 - 30		
P022-001330	8 - 6	V651-000011	6 - 31		
P022-006220	8 - 8	V652-000030	5 - 26		
P022-037530	8 - 2	X102-000070	10 - D1		
P022-037670	8 - 10	X120-000020	10 - A1		
V104-001850	2 - 5	X121-000002	10 - B1		
V104-001860	2 - 2	X122-000072	9 - 3		
V130-000000	3 - 25	X122-000072	10 - C1		
V137-000000	5 - 45	X202-000010	10 - D3		
V141-000050	3 - 17	X220-000020	10 - A2		
V142-000030	3 - 18	X221-000100	10 - B2		
V186-000510	5 - 40	X222-000140	9 - 4		
V187-000010	5 - 37	X222-000140	10 - C2		
V202-000011	5 - 9	X490-000510	9 - 1		
V202-000020	5 - 22	X502-000340	6 - 33		
V202-000670	3 - 27	X502-000780	8 - 18		
V203-000021	6 - 29	X503-012970	3 - 33		
V203-000080	8 - 14	X505-006921	3 - 35		
V225-000031	5 - 8	X505-007710	2 - 12		
V265-000200	6 - 25	X602-000150	9 - 2		
V308-000030	5 - 25				
V341-000180	2 - 11				
V352-000020	5 - 19				
V353-000060	6 - 17				
V355-000800	6 - 32				
V356-000290	5 - 27				
V358-000021	1 - 14				
V376-000450	6 - 24				
V401-000560	3 - 26				
V420-000930	3 - 32				
V450-000070	6 - 20				
V450-000080	5 - 16				
V451-000150	6 - 6				
V452-000030	8 - 16				
V452-000110	6 - 18				
V452-000260	3 - 22				
V452-001320	8 - 5				
V470-000321	5 - 39				
V471-001230	5 - 38				
V471-001270	5 - 2				
V471-001280	5 - 3				
V475-001900	7 - 8				
V485-000380	7 - 11				
V485-000390	7 - 9				
V490-001230	5 - 34				
V490-001240	5 - 41				
V505-000001	1 - 4				
V555-000170	6 - 2				

YAMABIKO CORPORATION

7-2 SUEHIROCHO 1-CHOME, OHME, TOKYO 198-8760, JAPAN
PHONE: 81-428-32-6118. FAX: 81-428-32-6145.



14Fb
No. 06-285