

# DPAS-2600

Serial Number

35000001-35999999

Last updated date

16/Jan/2023

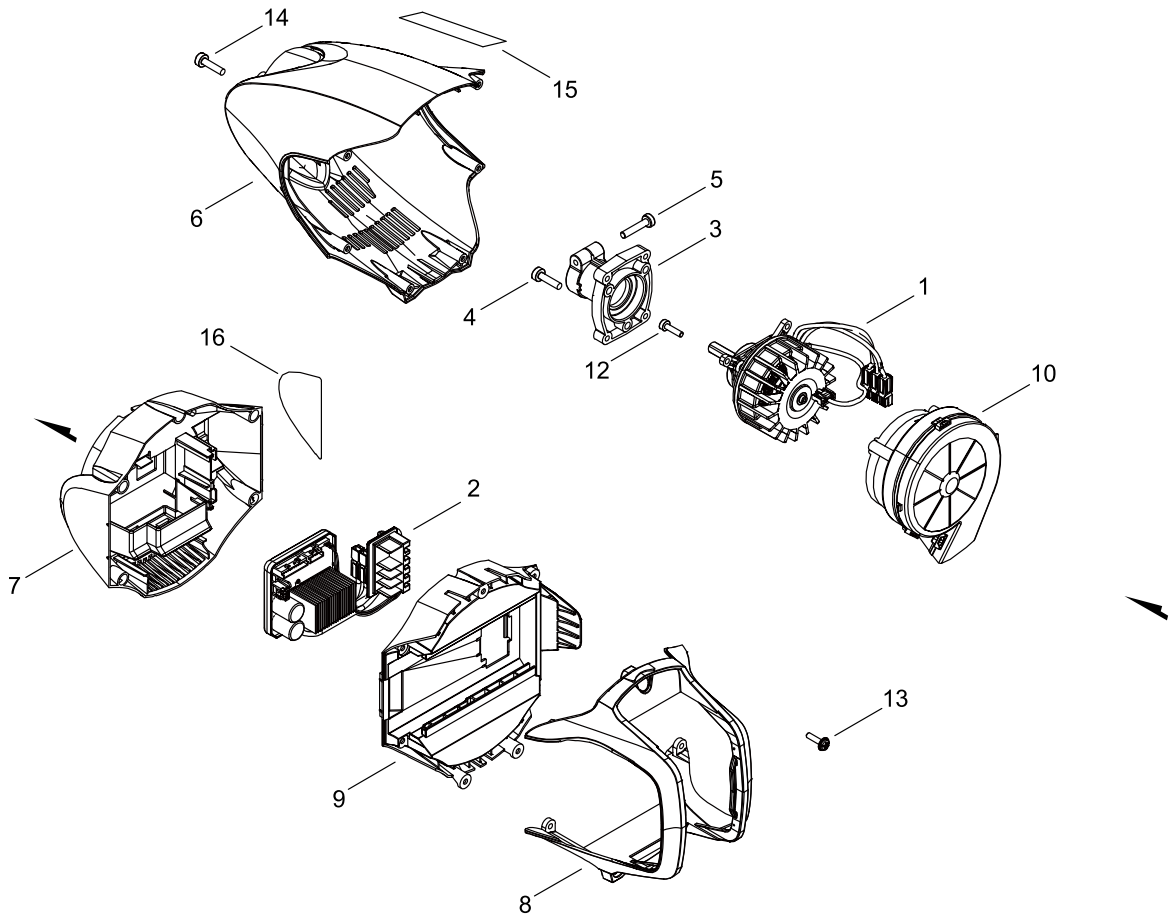


## TABLE OF CONTENTS

---

MOTOR .....	1
MAIN PIPE, HANDLE.....	3
CONTROL .....	5
ACCESSORIES .....	7

# MOTOR



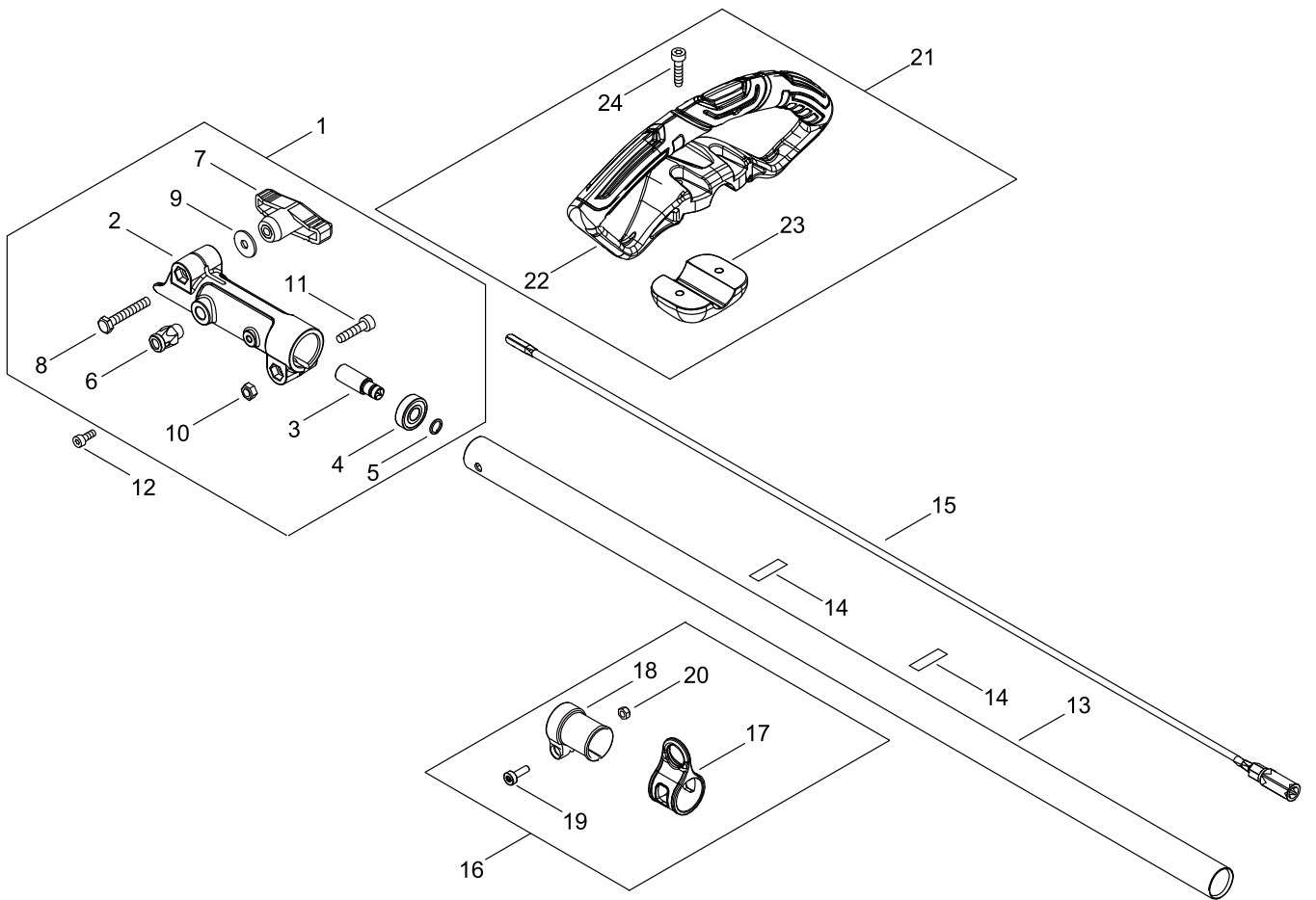
## MOTOR

Key No.	LV (+)	Parts Number	Parts Description	Qty	Standard	Class
1		A054-000330	MOTOR,ASM	1		D
2		A047-000480	BOARD,ASM CONTROL	1		D
3		A575-000770	FIXTURE, MAIN PIPE	1		C
4		V805-000160	BOLT, TORX 5	3	TB-5*20 10.9	C
5		V805-000170	BOLT, TORX 5	1	TB-5*25 10.9	C
6		A539-000490	COVER,MOTOR	1		C
7		A161-000440	DUCT, AIR	1		C
8		C145-000190	COVER,BATTERY	1		D
9		C146-000030	HOLDER,BATTERY	1		D
10		P021-054020	CASE,FAN ASY	1		C
12		V804-000170	BOLT, TORX 4	3	TT-P 4*16	C
13		V804-000190	BOLT, TORX 4	7	TT-P 4*16	C
14		V805-000160	BOLT, TORX 5	4	TB-5*20 10.9	C
15		X502-000390	LABEL,ECHO	1	ECHO 72.5*15	D
16		X503-015960	LABEL,MODEL	1	DPAS-2600	D

Class : Consumable class

A:Fast moving parts B:Semi-fast moving parts C:Slow moving parts D:Order only as needed

# MAIN PIPE, HANDLE



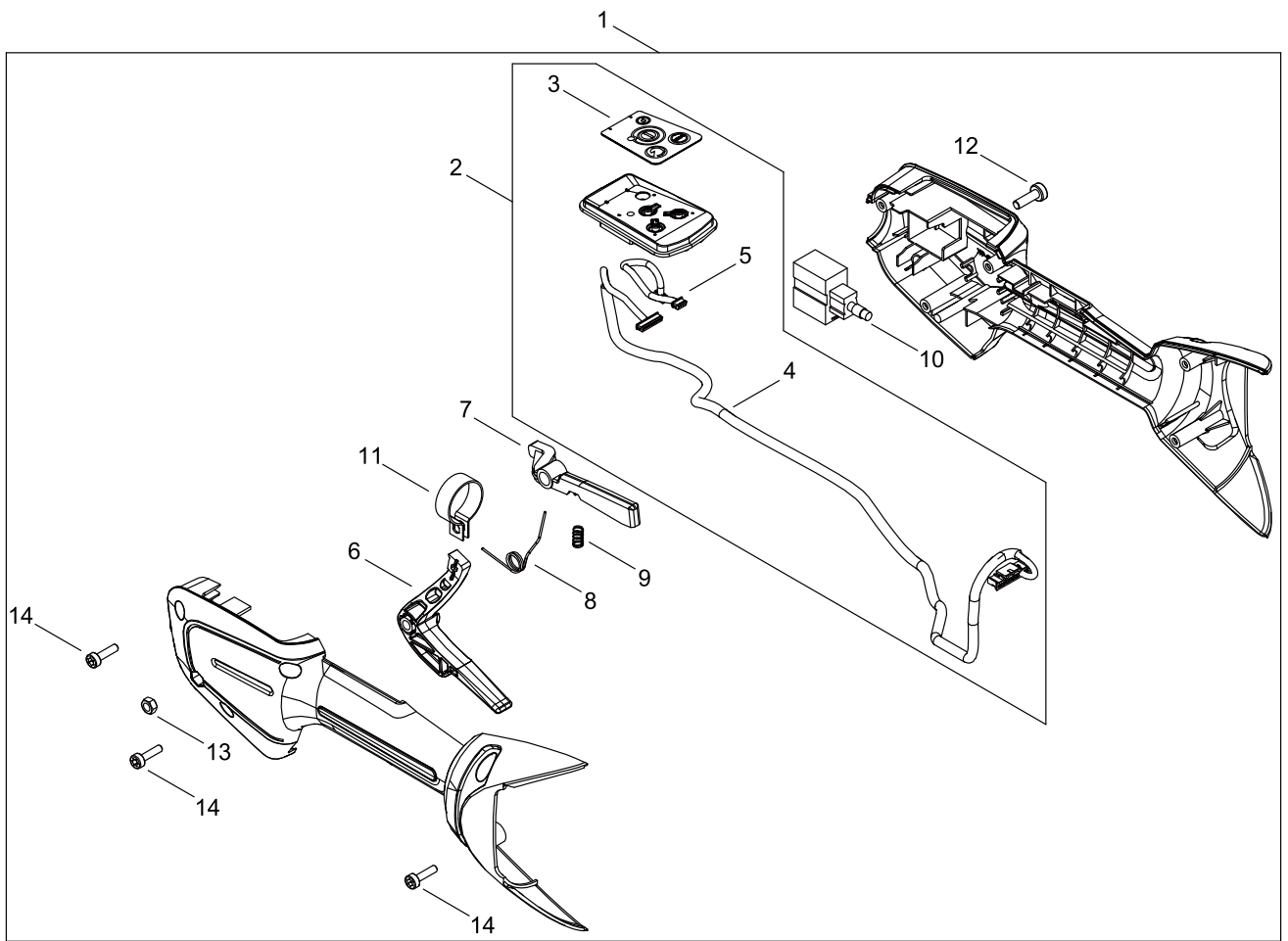
## MAIN PIPE, HANDLE

Key No.	LV (+)	Parts Number	Parts Description	Qty	Standard	Class
1		C510-000360	COUPLING, MAIN PIPE	1		C
2	+	C510-000340	COUPLING, MAIN PIPE	1		C
3	+	C505-000340	CONNECTOR, SHAFT	1	SQ5.2	B
4	+	900804-00609	BEARING, BALL	1	609ZZ	
5	+	900706-00009	RETAINING RING	1	WR-9	
6	+	P100-005150	LATCH ASY	1		
7	+	V299-000660	KNOB,FASTENER	1	M6X1 WING ASS"Y	C
8	+	91085-06040	BOLT	1	6*40	
9	+	V304-000040	WASHER,CIRCULAR 6	1	6.6*20*1.6	C
10	+	900514-00006	NUT	1	6	
11	+	V806-000020	BOLT, TORX 6	1	TB-6*25 10.9	C
12		V805-000130	BOLT, TORX 5	1	TB-5*10 10.9	C
13		C500-000880	PIPE, MAIN	1		C
14		890152-04930	LABEL, CAUTION	2		D
15		C506-000640	SHAFT, FLEXIBLE	1	SQ5.2*SQ6.9 L760	B
16		P100-008880	HOOK ASY	1		
17	+	C670-000210	HOOK,LIFTING	1	25	C
18	+	V495-001060	BAND	1		C
19	+	V805-000150	BOLT, TORX 5	1	TB-5*16 10.9	C
20	+	900500-00005	NUT	1	5	
21		P021-049580	FRONT HANDLE ASY	1		
22	+	C400-001480	HANDLE, FRONT	1	2-SHOT SRM STYLE	C
23	+	C423-001010	FIXTURE, HANDLE	1	REF C400227-100X	D
24	+	V805-000050	BOLT, TORX 5	2	TB-5*30 10.9	C

Class : Consumable class

A:Fast moving parts B:Semi-fast moving parts C:Slow moving parts D:Order only as needed

# CONTROL





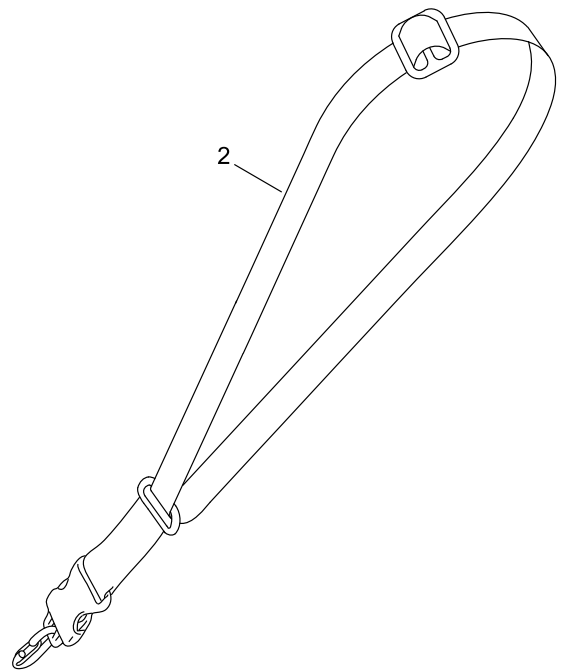
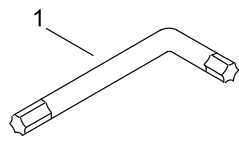
## CONTROL

Key No.	LV (+)	Parts Number	Parts Description	Qty	Standard	Class
1		P100-011040	CONTROL LEVER ASY	1		C
2	+	A047-000490	BOARD,ASM CONTROL	1	DPAS+L7ｲｷﾞﾊｰﾈｽ	D
3	++	X510-001300	LABEL,SWITCH	1	DPAS	D
4	++	C130-001150	HARNESS,WIRE	1		D
5	++	C130-001160	HARNESS,WIRE	1		D
6	+	J361-000800	LEVER	1		D
7	+	C490-000020	LOCKOUT	1		C
8	+	V452-002000	SPRING,TORSION	1		B
9	+	V450-000860	COIL SPRING	1		B
10	+	G334-001830	SWITCH	1	G33407S0080	C
11	+	V495-003020	BAND	1		C
12	+	V805-000150	BOLT, TORX 5	1	TB-5*16 10.9	C
13	+	900590-00005	NUT	1	5	
14	+	V804-000170	BOLT, TORX 4	5	TT-P ﾏｲﾄﾞ 4*16	C

Class : Consumable class

A:Fast moving parts B:Semi-fast moving parts C:Slow moving parts D:Order only as needed

# ACCESSORIES



## ACCESSORIES

Key No.	LV (+)	Parts Number	Parts Description	Qty	Standard	Class
1		X605-000060	TOOL,L WRENCH	1	80*30 T27 2-ENDS	D
2		C062-000700	HARNESS, SHOULDER	1	SINGLE SLING	B

Class : Consumable class

A:Fast moving parts B:Semi-fast moving parts C:Slow moving parts D:Order only as needed

# NUMERICAL PARTS INDEX

Part No	Part description	Page	Part No	Part description	Page
890152-04930	LABEL, CAUTION	4	V805-000150	BOLT, TORX 5	4
900500-00005	NUT	4	V805-000150	BOLT, TORX 5	6
900514-00006	NUT	4	V805-000160	BOLT, TORX 5	2
900590-00005	NUT	6	V805-000170	BOLT, TORX 5	2
900706-00009	RETAINING RING	4	V806-000020	BOLT, TORX 6	4
900804-00609	BEARING, BALL	4	X502-000390	LABEL,ECHO	2
91085-06040	BOLT	4	X503-015960	LABEL,MODEL	2
A047-000480	BOARD,ASM CONTROL	2	X510-001300	LABEL,SWITCH	6
A047-000490	BOARD,ASM CONTROL	6	X605-000060	TOOL,L WRENCH	8
A054-000330	MOTOR,ASM	2			
A161-000440	DUCT, AIR	2			
A539-000490	COVER,MOTOR	2			
A575-000770	FIXTURE, MAIN PIPE	2			
C062-000700	HARNESS, SHOULDER	8			
C130-001150	HARNESS,WIRE	6			
C130-001160	HARNESS,WIRE	6			
C145-000190	COVER,BATTERY	2			
C146-000030	HOLDER,BATTERY	2			
C400-001480	HANDLE, FRONT	4			
C423-001010	FIXTURE, HANDLE	4			
C490-000020	LOCKOUT	6			
C500-000880	PIPE, MAIN	4			
C505-000340	CONNECTOR, SHAFT	4			
C506-000640	SHAFT, FLEXIBLE	4			
C510-000340	COUPLING, MAIN PIPE	4			
C510-000360	COUPLING, MAIN PIPE	4			
C670-000210	HOOK,LIFTING	4			
G334-001830	SWITCH	6			
J361-000800	LEVER	6			
P021-049580	FRONT HANDLE ASY	4			
P021-054020	CASE,FAN ASY	2			
P100-005150	LATCH ASY	4			
P100-008880	HOOK ASY	4			
P100-011040	CONTROL LEVER ASY	6			
V299-000660	KNOB,FASTENER	4			
V304-000040	WASHER,CIRCULAR 6	4			
V450-000860	COIL SPRING	6			
V452-002000	SPRING,TORSION	6			
V495-001060	BAND	4			
V495-003020	BAND	6			
V804-000170	BOLT, TORX 4	2			
V804-000170	BOLT, TORX 4	6			
V804-000190	BOLT, TORX 4	2			
V805-000050	BOLT, TORX 5	4			
V805-000130	BOLT, TORX 5	4			