

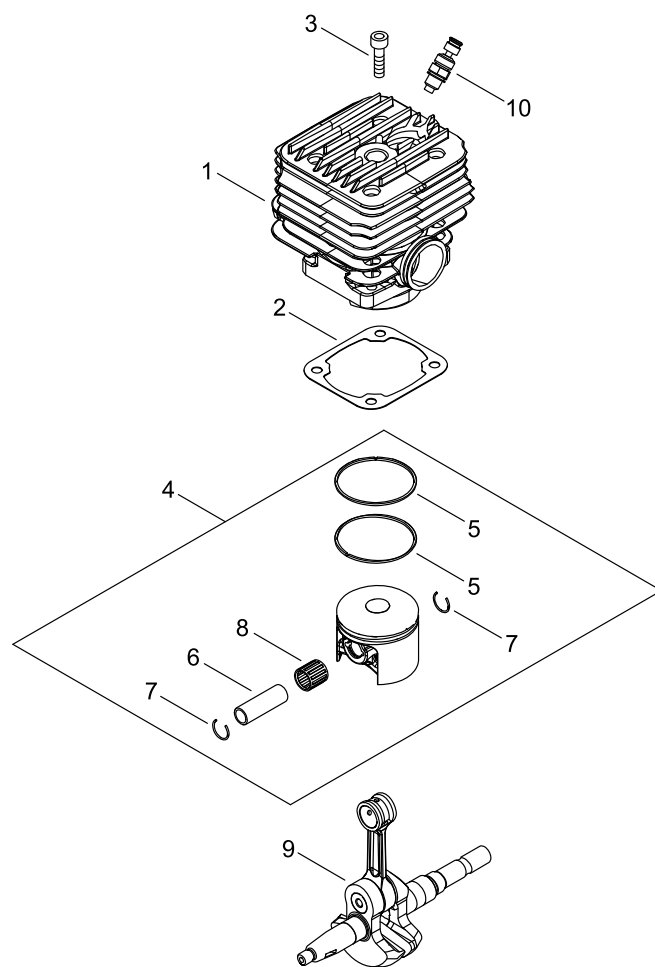
CSG-7410ES

Published:12/18/2018

TABLE OF CONTENTS

CYLINDER, PISTON, CRANKSHAFT.....	1
CRANKCASE	3
MAGNETO.....	5
AIR CLEANER, CARBURETOR.....	7
CARBURETOR.....	9
MUFFLER	11
RECOIL STARTER.....	13
HANDLE.....	15
CLUTCH, ARM COVER.....	17
ACCESSORIES	21
WATER SYSTEM KIT	23

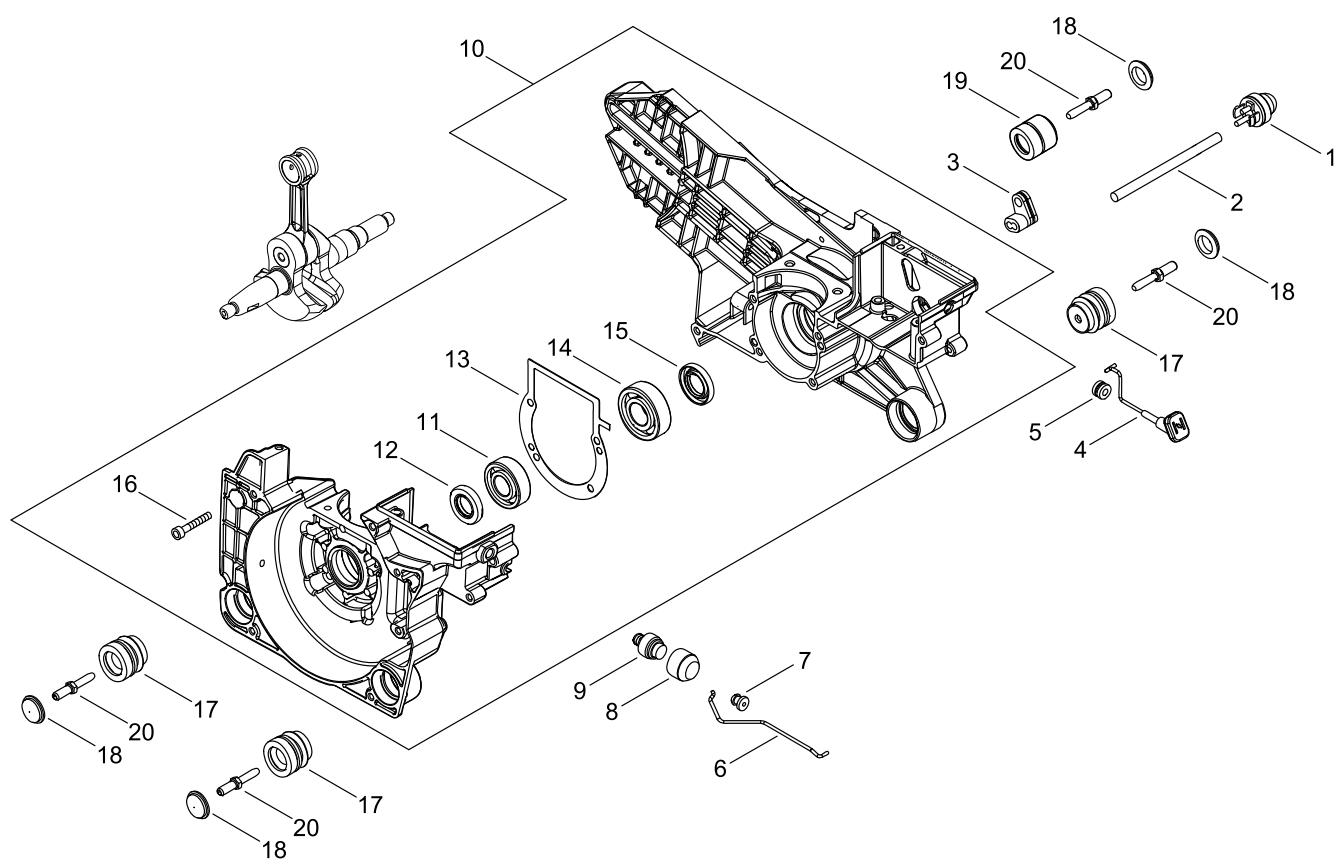
CYLINDER, PISTON, CRANKSHAFT



CYLINDER, PISTON, CRANKSHAFT

KEY NO	LV(+)	Part No	Description	Qty	Standard	Comment
1		A130-002360	CYLINDER	1		
2		V100-000580	GASKET	1		
3		V204-000690	BOLT	4		
4		P021-052650	PISTON KIT	1		
5	+	A101-000570	RING,PISTON	2		
6	+	V610-000010	PISTON PIN	1		
7	+	V580-000060	SNAP RING	2		
8	+	V557-000030	BEARING,NEEDLE	1		
9		A011-001430	CRANKSHAFT,ASY	1		
10		A014-000130	RELEASE ASY., COMP.	1		

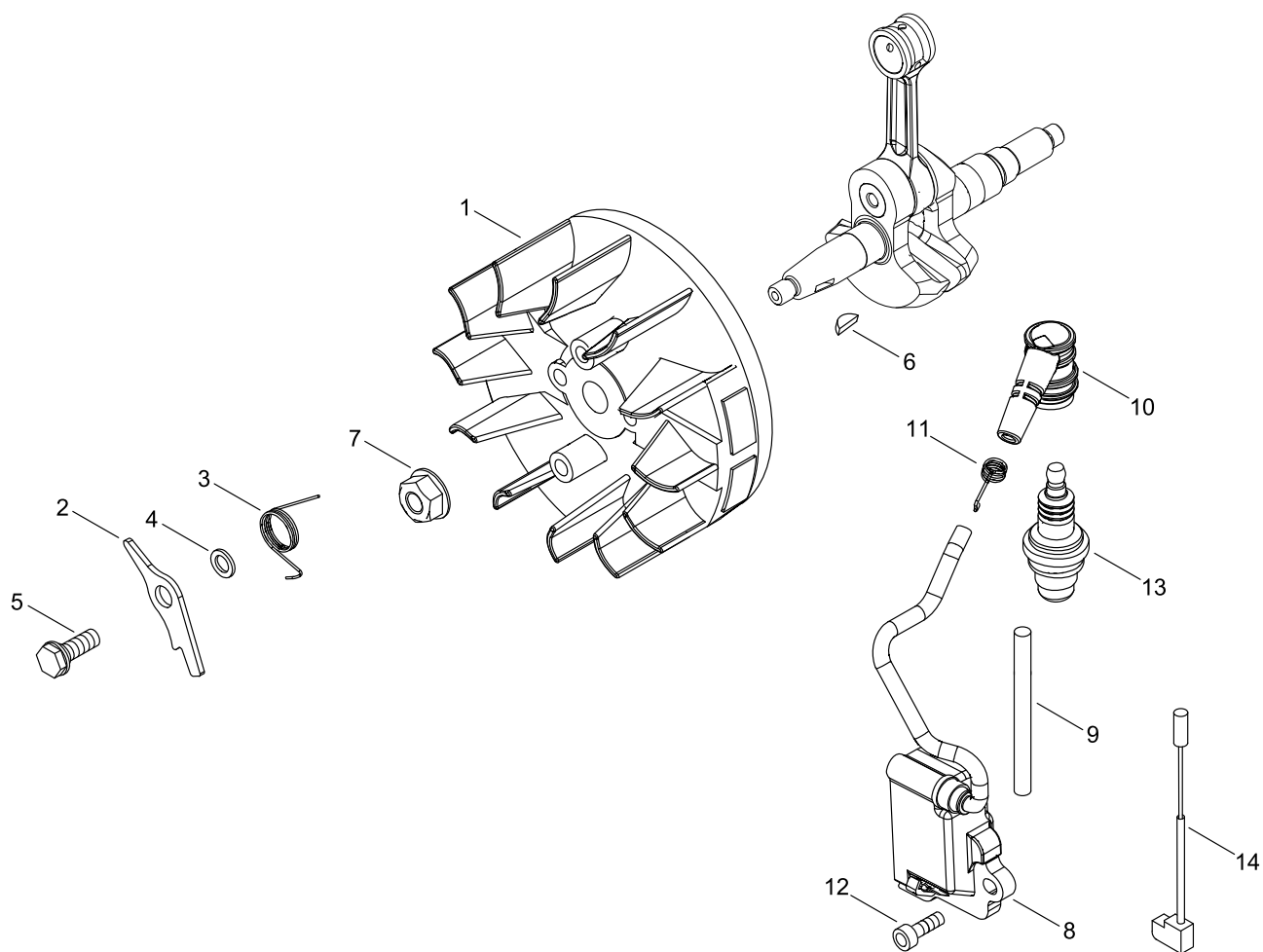
CRANKCASE



CRANKCASE

KEY NO	LV(+)	Part No	Description	Qty	Standard	Comment
1		123181-39130	PUMP, PRIMER	1		
2		V470-001650	PIPE	1		
3		V131-000150	GROMMET	1		
4		A240-000181	ROD, CHOKE	1		
5		V130-000160	GROMMET CHOKE	1		
6		C454-000530	ROD, THROTTLE	1		
7		V133-000040	GROMMET	1		
8		V494-000330	CAP	1		
9		A440-001670	SWITCH	1		
10		P021-052660	CRANKCASE SET	1		
11	+	900810-36202	BEARING, BALL 6202	1	6202/C3	
12	+	V508-000080	OIL SEAL	1		
13	+	V102-000280	GASKET,CRANKCASE	1		
14	+	94000-36203	BEARING, BALL 6203	1	BB6203/C3	
15	+	V510-000030	OIL SEAL	1		
16	+	V203-002220	BOLT,5	6		
17		V401-000350	CUSHION 27	3		
18		V421-000050	PLUG 27	4		
19		V401-000430	CUSHION 26	1	HS40	
20		V203-001650	STOPPER BOLT	4		

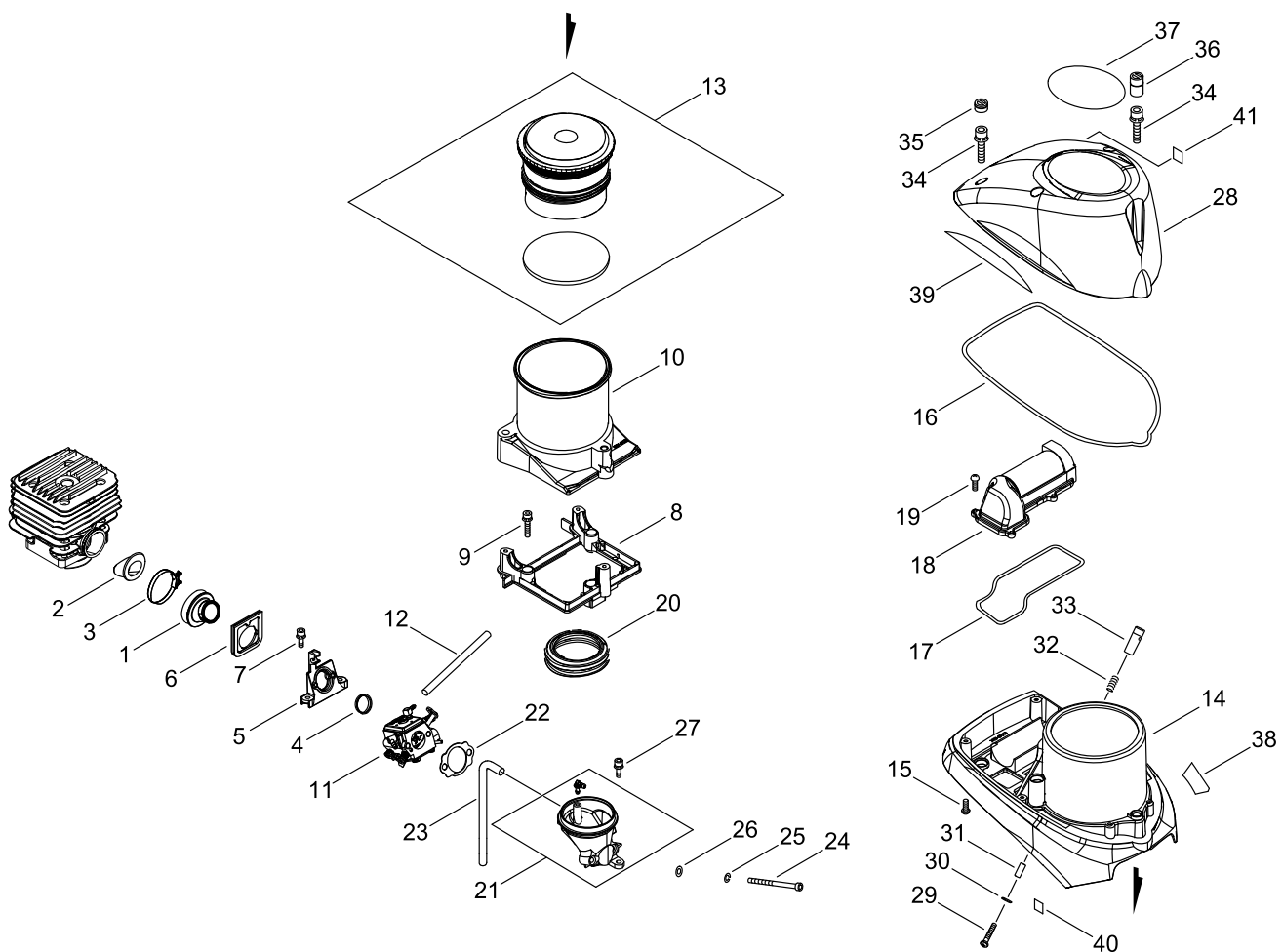
MAGNETO



MAGNETO

KEY NO	LV(+)	Part No	Description	Qty	Standard	Comment
1		A409-001041	ROTOR,MAGNETO	1	ID_UK-11801	
2		A514-000240	RATCHET	2		
3		V452-000990	COIL SPRING	2		
4		V304-000300	COLLAR	2		
5		V204-000720	BOLT	2		
6		93115-03010	KEY	1	3*10	
7		V265-000220	NUT	1		
8		A411-001820	COIL, IGNITION	1	ID#2670	
9		V475-008680	TUBE	1	L=185	
10		A427-000200	CAP,SPARK PLUG	1		
11		A426-000010	TERMINAL,SPARKPLUG	1		
12		V203-002210	BOLT,5	2		
13		159010-10230	PLUG, SPARK (BPMR-7A	1	BPMR-7A	
14		V485-002820	LEAD	1		

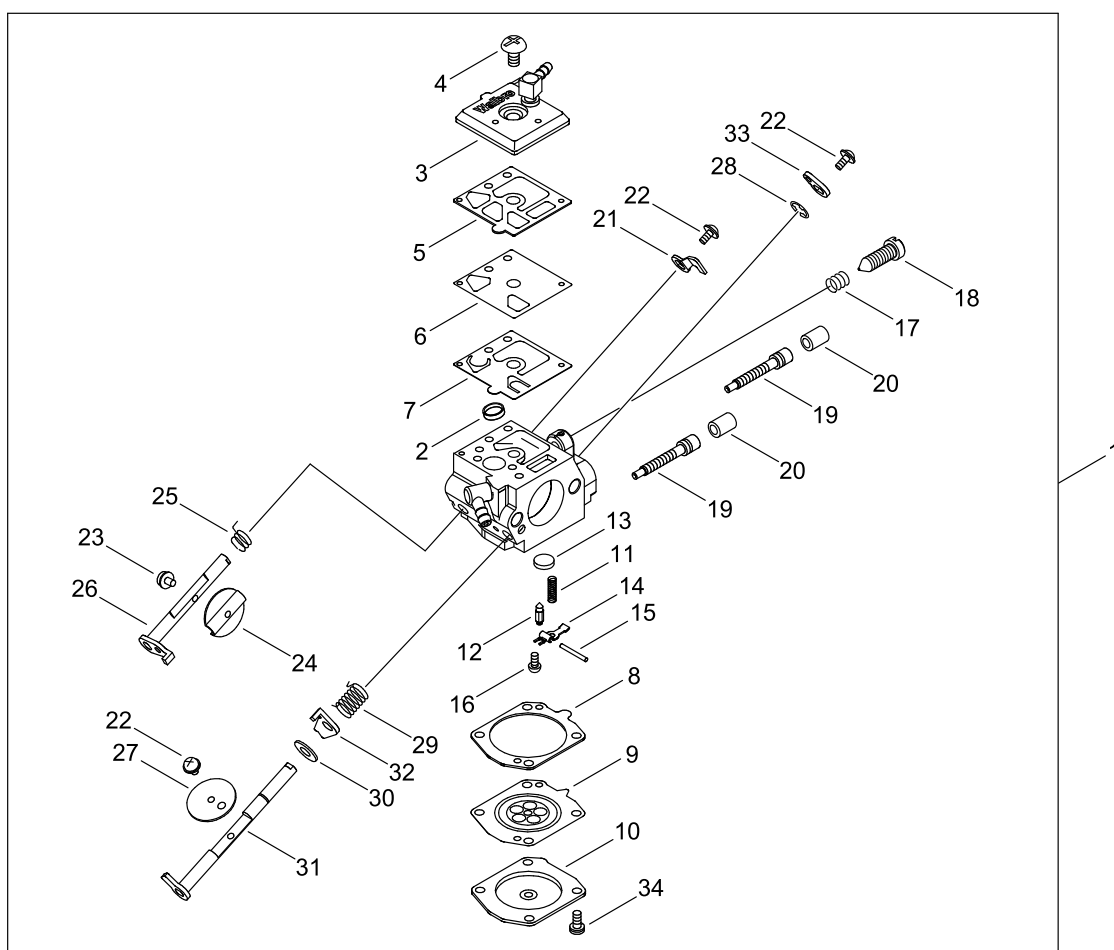
AIR CLEANER, CARBURETOR



AIR CLEANER, CARBURETOR

KEY NO	LV(+)	Part No	Description	Qty	Standard	Comment
1		A202-000280	BELLOWS, INTAKE	1		
2		A239-000100	PIPE, INTAKE	1		
3		V495-002480	BAND	1		
4		V360-000120	SLEEVE	1		
5		A200-001111	INSULATOR, INTAKE	1		
6		A203-000070	SEAL	1		
7		V203-002230	BOLT,5	2	M5X15SLPW	
8		A163-000050	STAY,COVER	1		
9		V203-000631	BOLT,5	3	M5X25 WSW	
10		E616-000070	CASE,FILTER	1		
11		A021-004950	CARBURETOR, DIAPHRAGM	1	WALBRO HDA-344	
12		V470-001640	PULSE PIPE	1		
13		P021-052670	AIR FILTER SET	1		
14		A232-001990	LID,CLEANER	1		
15		V252-000630	SCREW HILO	6		
16		A228-000080	SEAL, CLEANER	1		
17		A228-000070	SEAL, CLEANER	1		
18		A232-001980	LID,CLEANER	1		
19		V252-000630	SCREW HILO	4		
20		A203-000060	SEAL	1		
21		P100-001411	CARBURETOR,ELBOW ASY	1		
22		V103-001270	GASKET,INTAKE	1	AF70 T0.5	
23		V471-002800	PIPE	1		
24		900105-05060	BOLT, H.S. 5*60	2	5*60	
25		900605-00005	WASHER, SPRING 5	2	5	
26		900600-00005	WASHER 5	2	5	
27		V203-002230	BOLT,5	1	M5X15SLPW	
28		A160-003590	COVER,CYLINDER	1		
29		V253-000850	SCREW TAPPING	1		
30		900603-00005	WASHER 5	1	5.5*12*0.8	
31		V353-000740	COLLAR,5	1	5.1X6.3XL15	
32		V450-002280	SPRING,COMPRESSION	1		
33		A607-000040	ROD,PUSH	1		
34		V203-002240	BOLT,5	4	M5X30 SPW	
35		V141-000160	GROMMET,PLUG	3		
36		V141-000170	GROMMET,PLUG	1		
37		X505-010770	LABEL,CAUTION	1	CAUTION MARK	
38		X524-007160	LABEL	1		
39		X524-007060	LABEL	1	4-STAGE CLEANER	
40		X510-001050	LABEL,SWITCH	1		
41		X505-000001	LABEL,CAUTION	1		

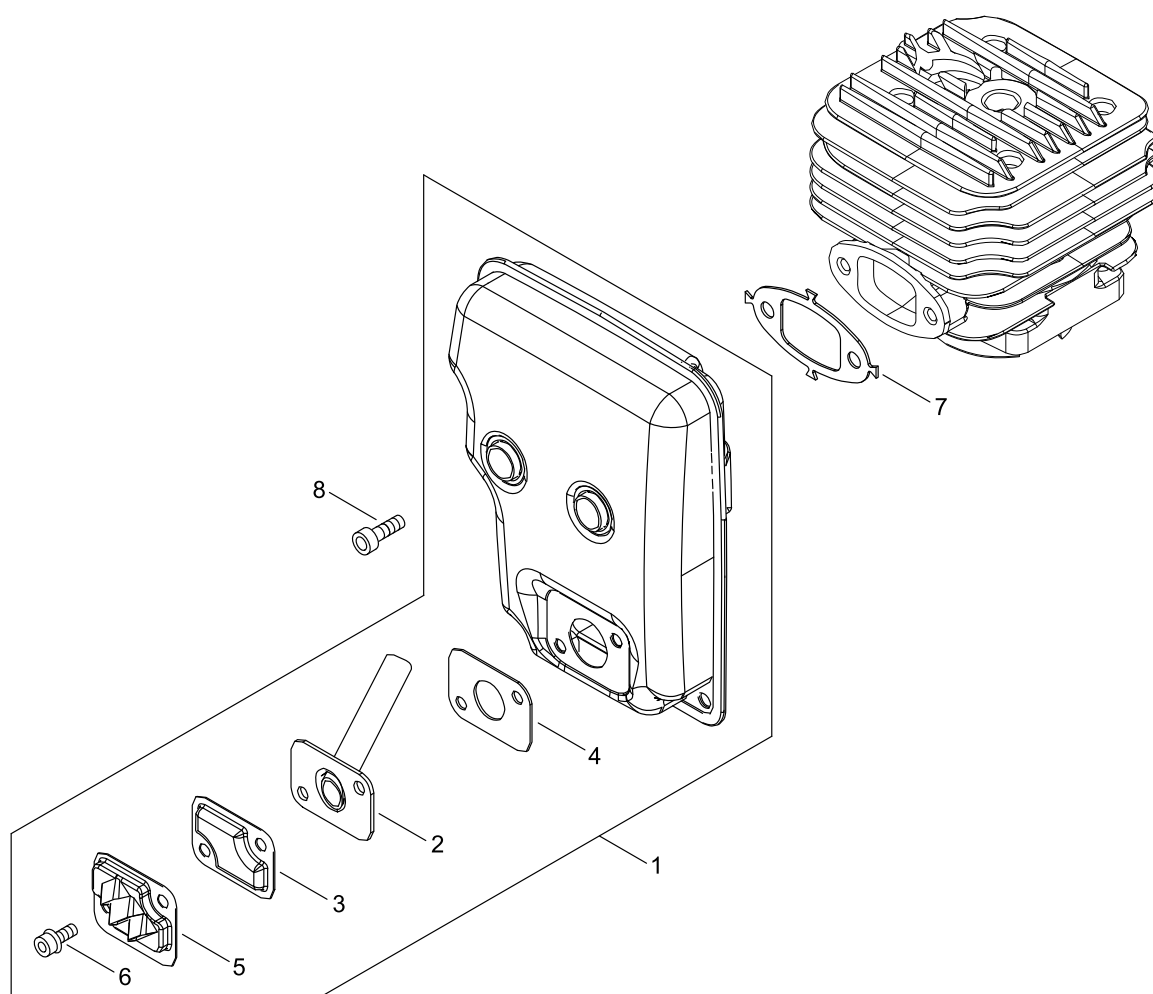
CARBURETOR



CARBURETOR

KEY NO	LV(+)	Part No	Description	Qty	Standard	Comment
1		A021-004950	CARBURETOR, DIAPHRAGM	1	WALBRO HDA-344	
2	+	123126-10631	SCREEN, INLET	1		
3	+	P003-006150	PUMP COVER ASY	1		
4	+	123110-16130	SCREW, PUMP COVER	1		
5	+	123125-12330	GASKET, FUEL PUMP	1		
6	+	P003-003150	DIAPHRAGM PUMP	1	シロ	
7	+	P003-006090	DIAPHRAGM, FUEL PUMP	1		
8	+	123140-16130	GASKET, M. DIAPHRAGM	1		
9	+	P003-004920	DIAPHRAGM ASSY	1	95-649	
10	+	P003-003300	COVER DIAPHRAGM	1		
11	+	123122-16131	SPRING, METER. LEVER	1		
12	+	123137-19830	VALVE, INLET NEEDLE	1		
13	+	123146-10631	PLUG, WELCH	1		
14	+	123123-18330	LEVER, METERING	1		
15	+	123138-03930	PIN, METERING LEVER	1		
16	+	P003-005400	SCREW	1		
17	+	123133-04260	SPRING, IDLE ADJUST	1		
18	+	P003-003650	IDEL SCREW	1		
19	+	P003-006230	NEEDLE	2		
20	+	P003-000010	LIMITER CAP	2		
21	+	123156-30830	STOP, THROTTLE	1		
22	+	123114-38830	SCREW	3		
23	+	P003-002380	SCREW	1		
24	+	123132-16130	VALVE, CHOKE	1		
25	+	P003-000560	SPRING, THRT. RETURN	1		
26	+	P003-003320	SHAFT ASSY	1		
27	+	P003-006170	VALVE, CHOKE	1		
28	+	123127-15030	RING	1		
29	+	P003-000610	SPRING	1		
30	+	123149-26030	WASHER	1		
31	+	P003-003340	SHAFT ASSY	1		
32	+	P003-000620	LEVER-FAST IDLE	1		
33	+	P003-003020	LEVER	1		
34	+	123130-02960	SCREW	4		

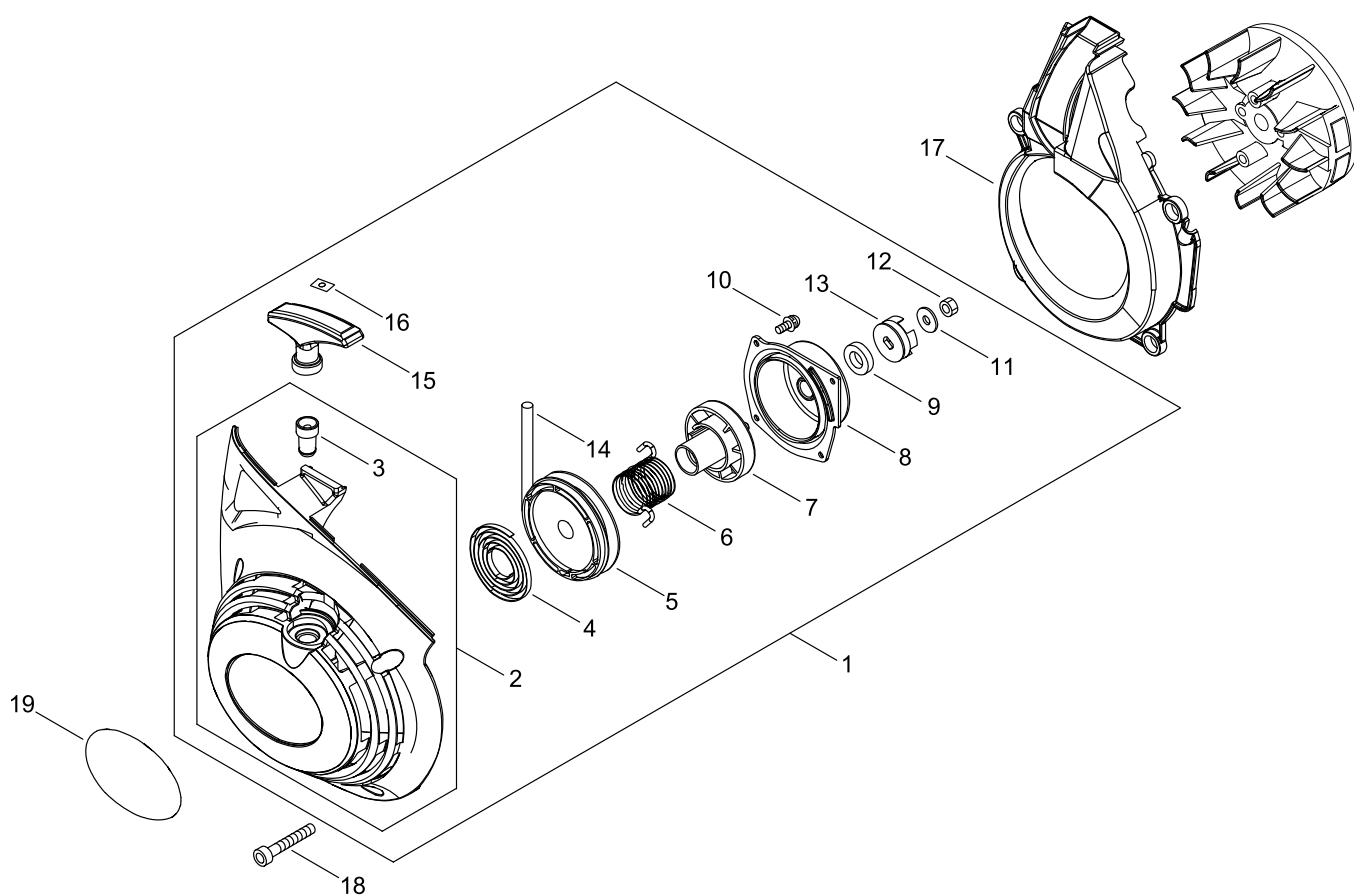
MUFFLER



MUFFLER

KEY NO	LV(+)	Part No	Description	Qty	Standard	Comment
1		P021-052680	MUFFLER ASY	1		
2	+	A312-000130	PLATE, EXHUST	1		
3	+	A310-000530	SCREEN, ARRESTOR	1		
4	+	V104-002260	GASKET,EXHAUST	1		
5	+	A313-002100	GUIDE, EXHAUST	1	T0.6 ID#2620	
6	+	91121-05010	BOLT, FLANGE	2	10.9 SILVER	
7		V104-002270	GASKET,EXHAUST	1		
8		900105-06018	BOLT, H.S. 6*18	4	6*18	

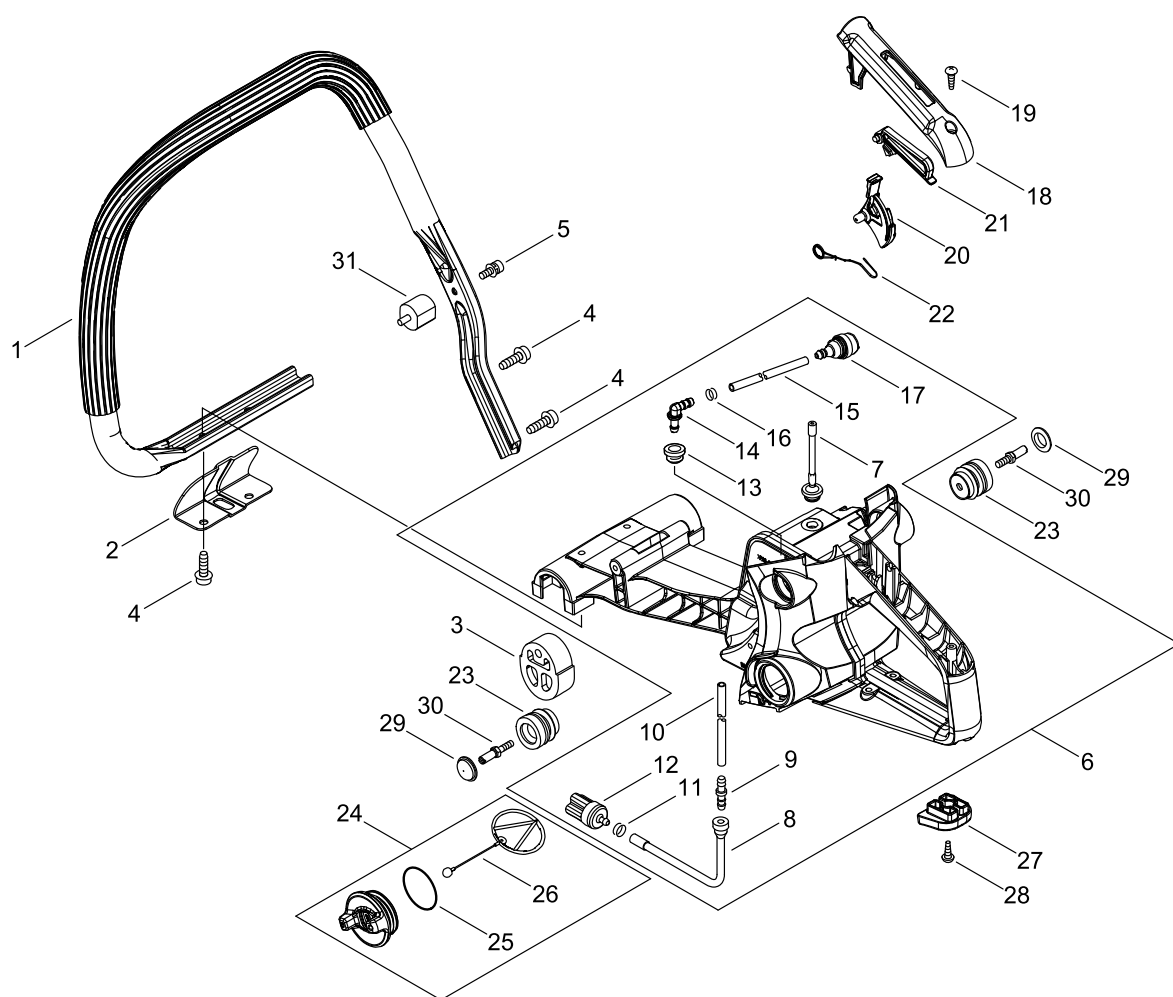
RECOIL STARTER



RECOIL STARTER

KEY NO	LV(+)	Part No	Description	Qty	Standard	Comment
1		A051-003400	STARTER,RECOIL	1		
2	+	P022-052320	STARTER,RECOIL	1		
3	++	P022-039940	GUIDE, ROPE	1		
4	+	P022-004680	SPRING, SPIRAL	1		
5	+	A506-000420	REEL	1		
6	+	V452-001010	COIL SPRINNG	1		
7	+	A501-000030	SHAFT	1		
8	+	A519-000040	COVER	1		
9	+	V505-000150	OIL SEAL	1		
10	+	P022-019940	SCREW TAPPING	4	W,SW	
11	+	V304-000310	WASHER	1		
12	+	900500-00006	NUT 6	1	6	
13	+	P022-039950	CATCHER, PAWL	1		
14	+	A509-000410	ROPE	1		
15	+	A511-000210	KNOB RECOIL	1		
16	+	P022-037670	STOPPER, ROPE	1		
17		A172-002970	COVER,FAN	1		
18		V203-002240	BOLT,5	4	M5X30 SPW	
19		X502-001120	LABEL,ECHO	1	ECHO(OVAL)	

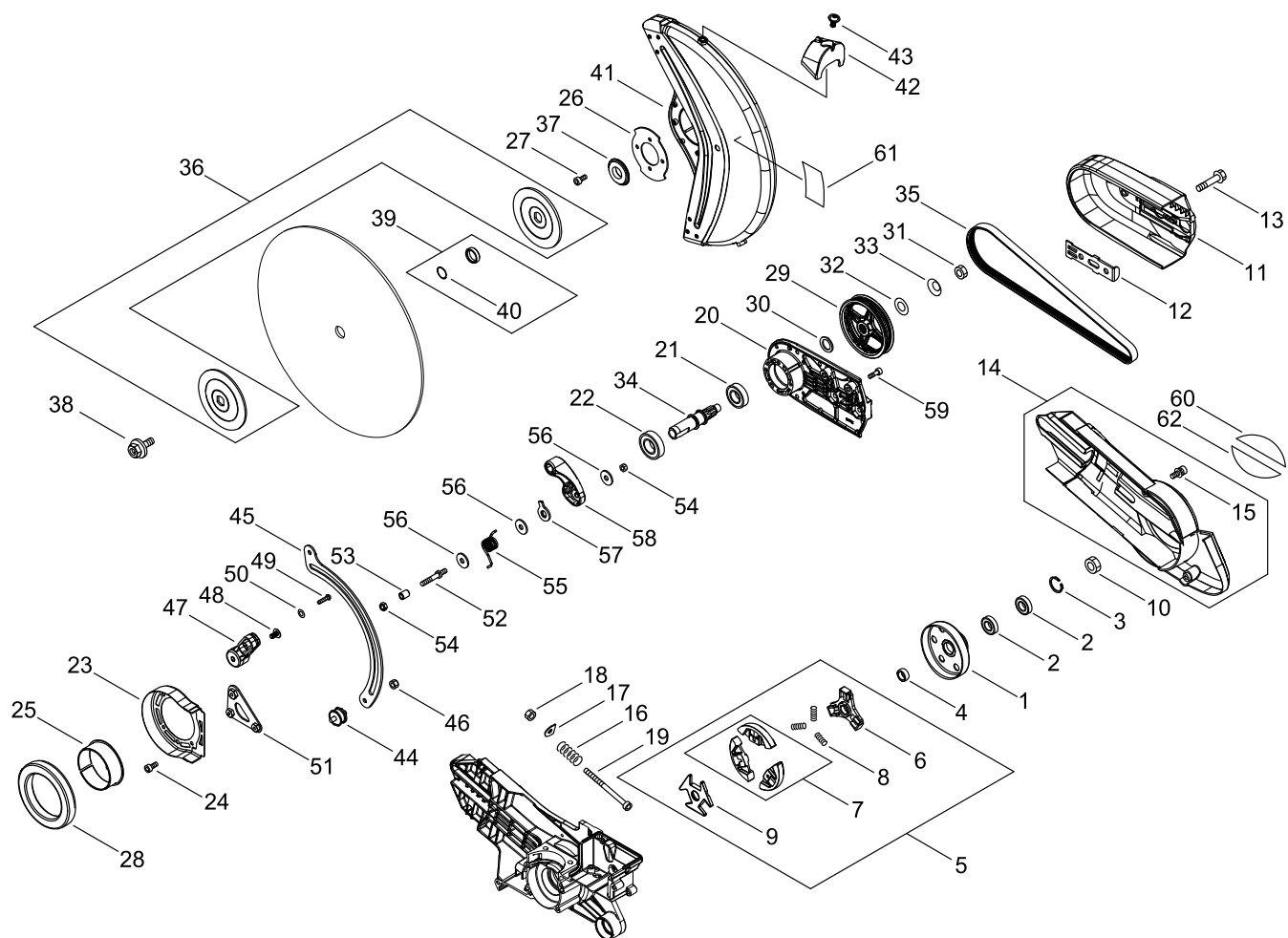
HANDLE



HANDLE

KEY NO	LV(+)	Part No	Description	Qty	Standard	Comment
1		C400-001511	HANDLE, FRONT	1		
2		J447-001300	GUARD	1		
3		V420-005030	CUSHION	2		
4		V204-001290	BOLT,6	4		
5		V203-002230	BOLT,5	1	M5X15SLPW	
6		P100-006910	HANDLE ASY, REAR	1		
7	+	V470-002131	PIPE	1	プライマOUT側	
8	+	V470-001990	PIPE	1		
9	+	V186-000510	JOINT,PIPE	1		
10	+	V471-003970	PIPE	1		
11	+	V490-000500	CLIP	1		
12	+	A369-000540	STRAINER, FUEL	1		
13	+	V137-000131	GROMMET,FUEL	1		
14		V186-000530	JOINT,PIPE	1		
15	+	V471-005400	PIPE	1	5*L255	
16	+	V490-000580	CLIP	1		
17	+	A356-000190	VALVE, CHECK	1		
18		C411-000240	LID,HANDLE	1		
19		V252-000800	SCREW HILO	1		
20		C450-000630	THROTTLE LEVER	1		
21		C460-000301	LOCKOUT, THROTTLE	1		
22		V452-001620	SPRING,TORSION	1		
23		V401-000350	CUSHION 27	2		
24		P100-004891	CAP,FUEL ASY	1		
25	+	V581-000600	RING,O	1	P29	
26	+	A365-000050	CONNECTOR,CAP	1		
27		V420-005040	CUSHION	1		
28		V252-000800	SCREW HILO	1		
29		V421-000050	PLUG 27	2		
30		V203-001660	STOPPER BOLT 26	2		
31		V401-000220	CUSHION	1		

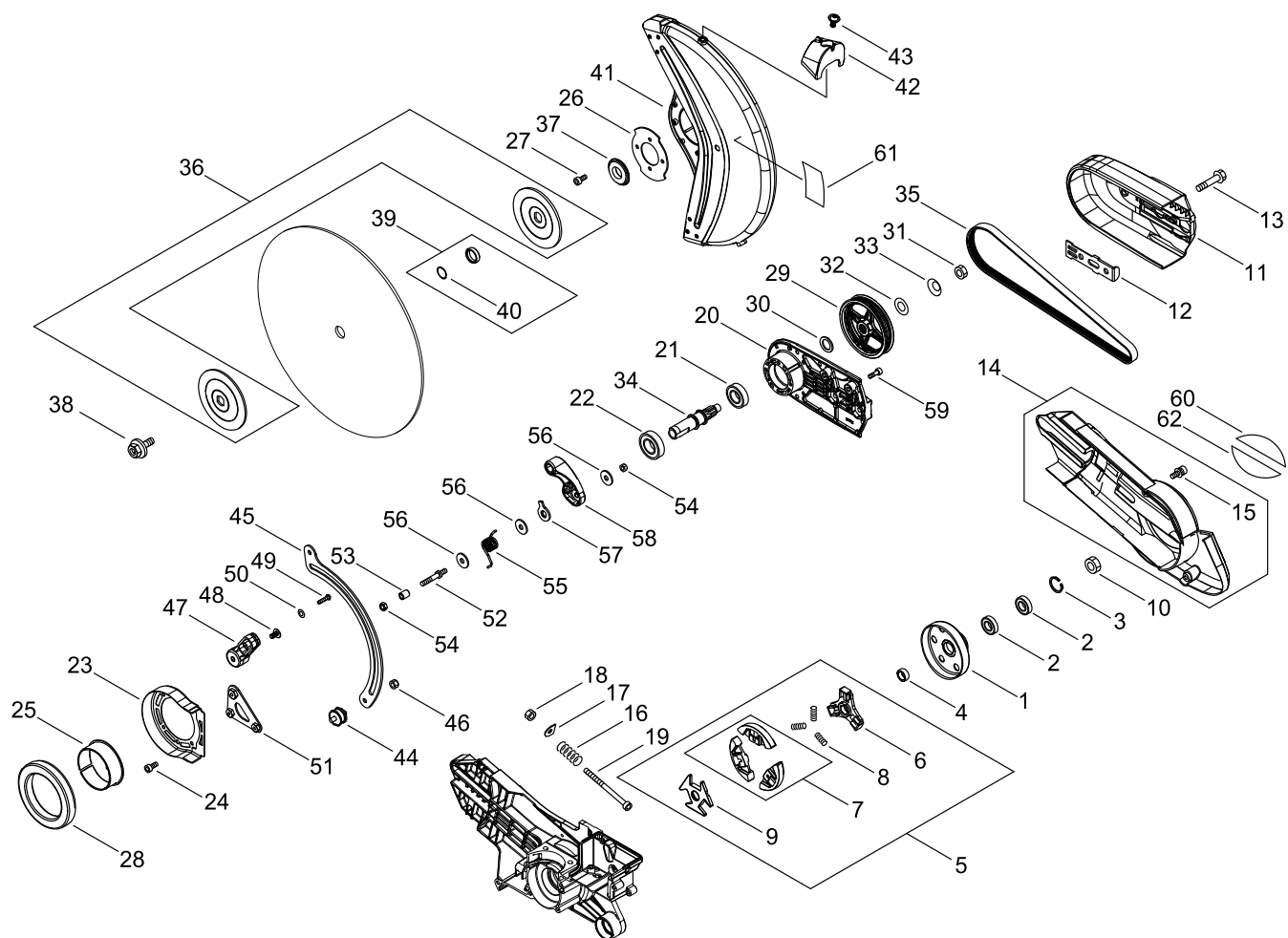
CLUTCH, ARM COVER



CLUTCH, ARM COVER

KEY NO	LV(+)	Part No	Description	Qty	Standard	Comment
1		A556-001690	DRUM, CLUTCH	1		
2		V592-000440	BEARING, BALL	2	6901LLH C3/ L448	
3		92419-24000	C-RING	1	OCHIAI IRTW-24	
4		V357-000390	COLLAR,12	1		
5		A056-000850	CLUTCH ASY	1		
6	+	A552-000480	HUB, CLUTCH	1		
7	+	P021-052700	CLUTCH SHOE SET	1		
8	+	A566-000210	CLUTCH SPRING	3		
9	+	A552-000300	CLUTCH BOSS B	1		
10		V265-000560	NUT,8	1		
11		C361-000360	COVER,CUTTER ARM	1		
12		V150-004052	PLATE,EYE	1		
13		V205-001231	BOLT,8	2		
14		P100-006950	COVER,CUTTER ARM KIT	1		
15	+	V203-002350	BOLT,5	2	M5X25 SPW	
16		V450-001240	COIL SPRING	1		
17		V304-000290	WASHER	1		
18		V264-000190	NUT	1		
19		V204-001680	BOLT,6	1	M6X90	
20		P021-052710	CASE,ASY BEARING	1		
21		900812-06202	BEARING, BALL 6202	1	6202DDU(LLU)	
22		900812-06203	BEARING, BALL 6203	1	6203DDU(LLU)	
23		C235-000070	CASE,SPRING	1		
24		V203-002210	BOLT,5	4		
25		V583-000210	SLIDE RING	1		
26		C371-000160	PLATE,CUTTER COVER	1		
27		V203-002210	BOLT,5	4		
28		V583-000470	RING	1		
29		V176-000281	PULLEY	1		
30		V310-000130	WASHER,CIRCULAR 14	1		
31		900502-00010	NUT 10 (3N)	1	3N10	
32		V308-000120	WASHER,CIRCULAR 11	1		
33		V347-000060	WASHER,CONICAL	1	SW-10 1H	
34		C504-001260	SHAFT, DRIVE	1		
35		V196-000120	DRIVE BELT	1	6PJ808	
36		P100-006920	SET,FLANGE CUTTER	1		
37		V360-000320	COLLAR,18	1		
38		P100-001640	BOLT ASY	1		
39		P021-035070	COLLAR SET	1	20MM	
40	+	V582-000210	SNAP RING	1		
41		P100-006930	COVER,CUTTER ASY	1		
42		M613-000310	KNOB	1		
43		V204-001820	BOLT,6	1	M6X12	
44		V402-000110	CUSHION,6	2		
45		C371-000050	SLIDE PLATE	1		
46		900561-00006	NUT 6	2	6 SUS	

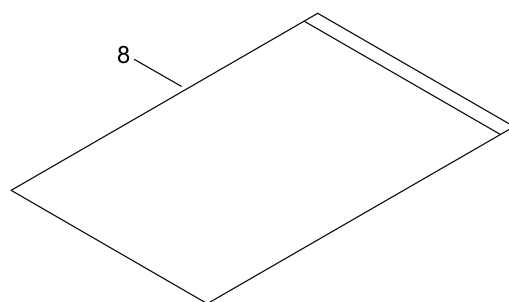
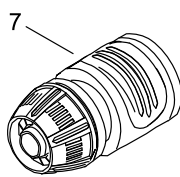
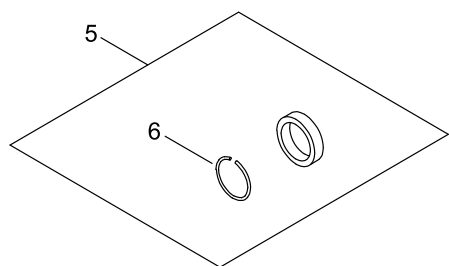
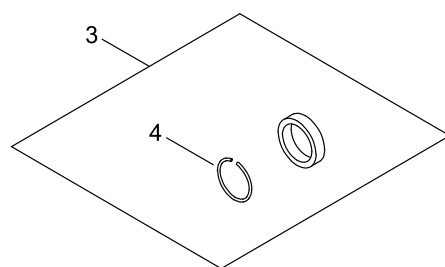
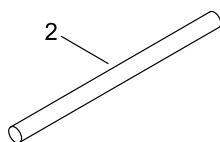
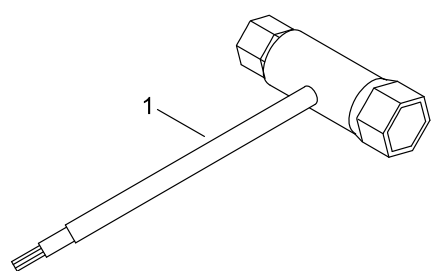
CLUTCH, ARM COVER



CLUTCH, ARM COVER

KEY NO	LV(+)	Part No	Description	Qty	Standard	Comment
47		C442-000100	STOPPER, HAND GUARD	1		
48		V204-001820	BOLT,6	1	M6X12	
49		900256-04016	SCREW 4*16	1	4*16	
50		92204-04000	WASHER	1	W-4 4.3*12*1.0	
51		C371-000170	PLATE,CUTTER COVER	1		
52		V204-001810	BOLT,6	1		
53		V354-000080	COLLAR,6	1	6.2*10*12	
54		900561-00006	NUT 6	2	6 SUS	
55		V452-001820	SPRING,TORSION	1		
56		V304-000320	COLLAR	3		
57		M613-000320	KNOB	1		
58		E151-000030	KNOB,LEVER	1		
59		V203-002210	BOLT,5	2		
60		X502-001130	LABEL,ECHO	1	ECHO (SEMICIRCLE)	
61		X505-010780	LABEL,CAUTION	1		
62		X543-005380	LABEL,MODEL	1	CSG-7410ES	

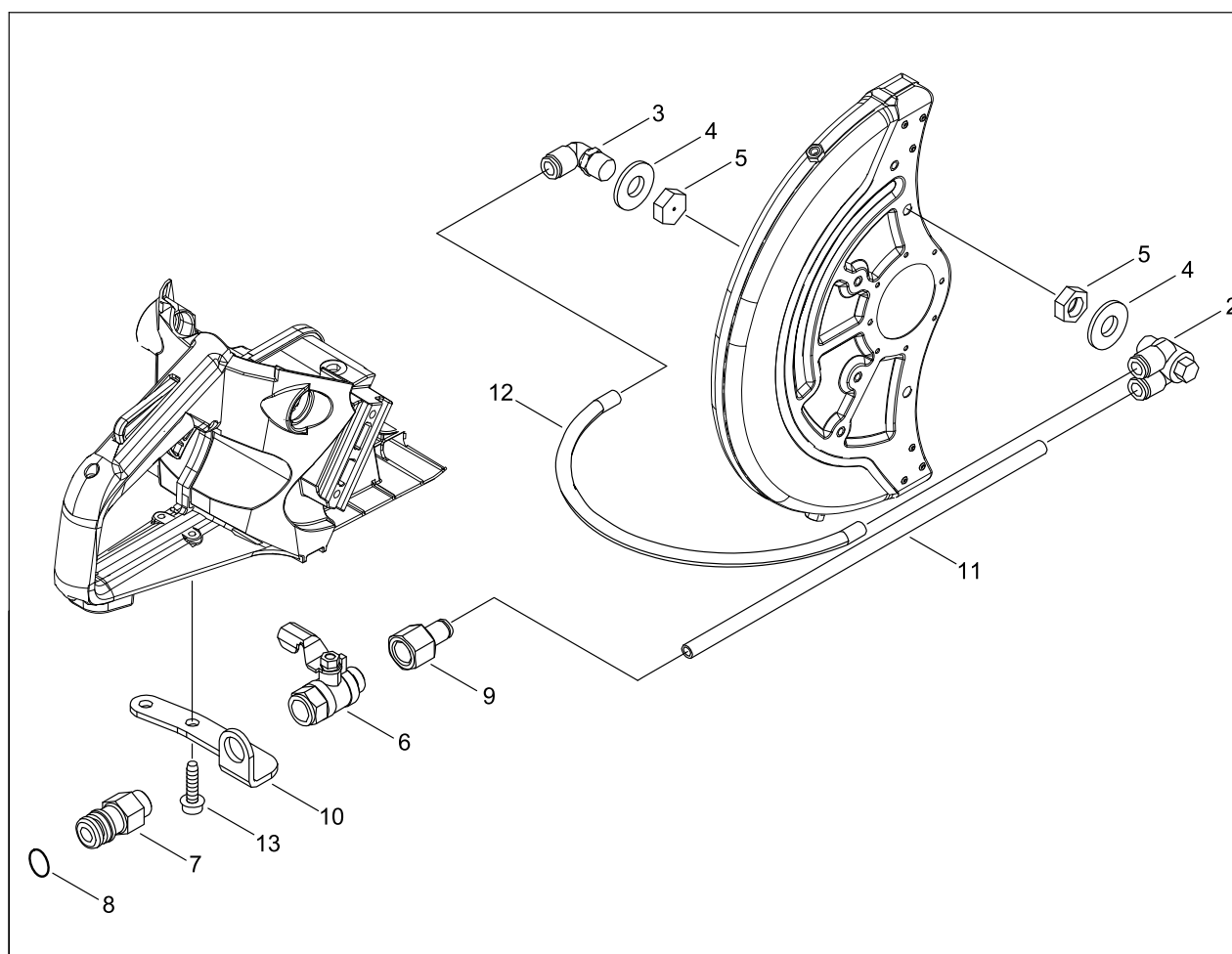
ACCESSORIES



ACCESSORIES

KEY NO	LV(+)	Part No	Description	Qty	Standard	Comment
1		X602-000410	TOOL,WRENCH	1	13X19MM	
2		X606-000080	TOOL,BAR	1	5*120	
3		P021-025860	COLLAR SET	1	22MM	
4	+	V582-000210	SNAP RING	1		
5		P021-034830	COLLAR SET	1	25.4MM	
6	+	V582-000210	SNAP RING	1		
7		V700-000151	COUPLER	1	18213-50	
8		X705-000220	TOOL BAG	1		

WATER SYSTEM KIT



WATER SYSTEM KIT

KEY NO	LV(+)	Part No	Description	Qty	Standard	Comment
1		P100-006940	WATER SYSTEM,KIT	1		
2	+	A373-000240	CONNECTOR, PIPE	1	KQ2Z06-01NS-X35	
3	+	A373-000250	CONNECTOR, PIPE	1	KQ2L06-01NS-X35	
4	+	100146-00310	WASHER (C-R)	2		
5	+	M652-000070	NUT	2		
6	+	E245-000190	COCK,LIQUID	1	8.5MM	
7	+	A373-000270	CONNECTOR, PIPE	1		
8	+	V581-000320	O RING	1		
9	+	A373-000260	CONNECTOR, PIPE	1	KQ2F06-G02N	
10	+	E258-000160	BRACKET,COCK	1	3.2T	
11	+	V471-005380	PIPE	1		
12	+	V471-005390	PIPE	1		
13	+	V204-001290	BOLT,6	2		

NUMERICAL PARTS INDEX

Part No	Part description	Page	Part No	Part description	Page	Part No	Part description	Page
100146-0-0310	WASHER (C-R)	24	900561-0-0006	NUT 6	18	A200-00-1111	INSULATOR, INTAKE	8
123110-1-6130	SCREW, PUMP COVER	10	900561-0-0006	NUT 6	20	A202-00-0280	BELLOWS, INTAKE	8
123114-3-8830	SCREW	10	900600-0-0005	WASHER 5	8	A203-00-0060	SEAL	8
123122-1-6131	SPRING, METER. LEVER	10	900603-0-0005	WASHER 5	8	A203-00-0070	SEAL	8
123123-1-8330	LEVER, METERING	10	900605-0-0005	WASHER, SPRING 5	8	A228-00-0070	SEAL, CLEANER	8
123125-1-2330	GASKET, FUEL PUMP	10	900810-3-6202	BEARING, BALL 6202	4	A228-00-0080	SEAL, CLEANER	8
123126-1-0631	SCREEN, INLET	10	900812-0-6202	BEARING, BALL 6202	18	A232-00-1980	LID,CLEANER	8
123127-1-5030	RING	10	900812-0-6203	BEARING, BALL 6203	18	A232-00-1990	LID,CLEANER	8
123130-0-2960	SCREW	10	91121-05-010	BOLT, FLANGE	12	A239-00-0100	PIPE, INTAKE	8
123132-1-6130	VALVE, CHOKE	10	92204-04-000	WASHER	20	A240-00-0181	ROD, CHOKE	4
123133-0-4260	SPRING, IDLE ADJUST	10	92419-24-000	C-RING	18	A310-00-0530	SCREEN, ARRESTOR	12
123137-1-9830	VALVE, INLET NEEDLE	10	93115-03-010	KEY	6	A312-00-0130	PLATE, EXHUST	12
123138-0-3930	PIN, METERING LEVER	10	94000-36-203	BEARING, BALL 6203	4	A313-00-2100	GUIDE, EXHAUST	12
123140-1-6130	GASKET, M. DIAPHRAGM	10	A011-00-1430	CRANKSHAFT,ASY	2	A356-00-0190	VALVE, CHECK	16
123146-1-0631	PLUG, WELCH	10	A014-00-0130	RELEASE ASY., COMP.	2	A365-00-0050	CONNECTOR,CAP	16
123149-2-6030	WASHER	10	A021-00-4950	CARBURETOR, DIAPHRAGM	8	A369-00-0540	STRAINER, FUEL	16
123156-3-0830	STOP, THROTTLE	10	A021-00-4950	CARBURETOR, DIAPHRAGM	10	A373-00-0240	CONNECTOR, PIPE	24
123181-3-9130	PUMP, PRIMER	4	A051-00-3400	STARTER,RECOIL	14	A373-00-0250	CONNECTOR, PIPE	24
159010-1-0230	PLUG, SPARK (BPMR-7A)	6	A056-00-0850	CLUTCH ASY	18	A373-00-0260	CONNECTOR, PIPE	24
900105-0-5060	BOLT, H.S. 5*60	8	A101-00-0570	RING,PISTON	2	A373-00-0270	CONNECTOR, PIPE	24
900105-0-6018	BOLT, H.S. 6*18	12	A130-00-2360	CYLINDER	2	A409-00-1041	ROTOR,MAGNETO	6
900256-0-4016	SCREW 4*16	20	A160-00-3590	COVER,CYLINDER	8	A411-00-1820	COIL, IGNITION	6
900500-0-0006	NUT 6	14	A163-00-0050	STAY,COVER	8	A426-00-0010	TERMINAL, SPARKPLUG	6
900502-0-0010	NUT 10 (3N)	18	A172-00-2970	COVER,FAN	14	A427-00-0200	CAP,SPARK PLUG	6

NUMERICAL PARTS INDEX

Part No	Part description	Page	Part No	Part description	Page	Part No	Part description	Page
A440-00-1670	SWITCH	4	E151-00-0030	KNOB,LEVER	20	P003-00-6230	NEEDLE	10
A501-00-0030	SHAFT	14	E245-00-0190	COCK,LIQUID	24	P021-02-5860	COLLAR SET	22
A506-00-0420	REEL	14	E258-00-0160	BRACKET,COCK	24	P021-03-4830	COLLAR SET	22
A509-00-0410	ROPE	14	E616-00-0070	CASE,FILTER	8	P021-03-5070	COLLAR SET	18
A511-00-0210	KNOB RECOIL	14	J447-00-1300	GUARD	16	P021-05-2650	PISTON KIT	2
A514-00-0240	RATCHET	6	M613-00-0310	KNOB	18	P021-05-2660	CRANKCASE SET	4
A519-00-0040	COVER	14	M613-00-0320	KNOB	20	P021-05-2670	AIR FILTER SET	8
A552-00-0300	CLUTCH BOSS B	18	M652-00-0070	NUT	24	P021-05-2680	MUFFLER ASY	12
A552-00-0480	HUB, CLUTCH	18	P003-00-0010	LIMITER CAP	10	P021-05-2700	CLUTCH SHOE SET	18
A556-00-1690	DRUM, CLUTCH	18	P003-00-0560	SPRING, THRT. RETURN	10	P021-05-2710	CASE,ASY BEARING	18
A566-00-0210	CLUTCH SPRING	18	P003-00-0610	SPRING	10	P022-00-4680	SPRING, SPIRAL	14
A607-00-0040	ROD,PUSH	8	P003-00-0620	LEVER-FAST IDLE	10	P022-01-9940	SCREW TAPPING	14
C235-00-0070	CASE,SPRING	18	P003-00-2380	SCREW	10	P022-03-7670	STOPPER, ROPE	14
C361-00-0360	COVER,CUTTER ARM	18	P003-00-3020	LEVER	10	P022-03-9940	GUIDE, ROPE	14
C371-00-0050	SLIDE PLATE	18	P003-00-3150	DIAPHRAGM PUMP	10	P022-03-9950	CATCHER, PAWL	14
C371-00-0160	PLATE,CUTTER COVER	18	P003-00-3300	COVER DIAPHRAGM	10	P022-05-2320	STARTER,RECOIL	14
C371-00-0170	PLATE,CUTTER COVER	20	P003-00-3320	SHAFT ASSY	10	P100-00-1411	CARBURETOR, ELBOW ASY	8
C400-00-1511	HANDLE, FRONT	16	P003-00-3340	SHAFT ASSY	10	P100-00-1640	BOLT ASY	18
C411-00-0240	LID,HANDLE	16	P003-00-3650	IDEL SCREW	10	P100-00-4891	CAP,FUEL ASY	16
C442-00-0100	STOPPER, HAND GUARD	20	P003-00-4920	DIAPHRAGM ASSY	10	P100-00-6910	HANDLE ASY, REAR	16
C450-00-0630	THROTTLE LEVER	16	P003-00-5400	SCREW	10	P100-00-6920	SET,FLANGE CUTTER	18
C454-00-0530	ROD, THROTTLE	4	P003-00-6090	DIAPHRAGM, FUEL PUMP	10	P100-00-6930	COVER,CUTTER ASY	18
C460-00-0301	LOCKOUT, THROTTLE	16	P003-00-6150	PUMP COVER ASY	10	P100-00-6940	WATER SYSTEM,KIT	24
C504-00-1260	SHAFT, DRIVE	18	P003-00-6170	VALVE, CHOKE	10	P100-00-6950	COVER,CUTTER ARM KIT	18

NUMERICAL PARTS INDEX

Part No	Part description	Page	Part No	Part description	Page	Part No	Part description	Page
V100-00-0580	GASKET	2	V203-00-2230	BOLT,5	16	V310-00-0130	WASHER,CIRCULAR 14	18
V102-00-0280	GASKET, CRANKCASE	4	V203-00-2240	BOLT,5	8	V347-00-0060	WASHER,CONICAL	18
V103-00-1270	GASKET,INTAKE	8	V203-00-2240	BOLT,5	14	V353-00-0740	COLLAR,5	8
V104-00-2260	GASKET,EXHAUST	12	V203-00-2350	BOLT,5	18	V354-00-0080	COLLAR,6	20
V104-00-2270	GASKET,EXHAUST	12	V204-00-0690	BOLT	2	V357-00-0390	COLLAR,12	18
V130-00-0160	GROMMET CHOKE	4	V204-00-0720	BOLT	6	V360-00-0120	SLEEVE	8
V131-00-0150	GROMMET	4	V204-00-1290	BOLT,6	16	V360-00-0320	COLLAR,18	18
V133-00-0040	GROMMET	4	V204-00-1290	BOLT,6	24	V401-00-0220	CUSHION	16
V137-00-0131	GROMMET,FUEL	16	V204-00-1680	BOLT,6	18	V401-00-0350	CUSHION 27	4
V141-00-0160	GROMMET,PLUG	8	V204-00-1810	BOLT,6	20	V401-00-0350	CUSHION 27	16
V141-00-0170	GROMMET,PLUG	8	V204-00-1820	BOLT,6	18	V401-00-0430	CUSHION 26	4
V150-00-4052	PLATE,EYE	18	V204-00-1820	BOLT,6	20	V402-00-0110	CUSHION,6	18
V176-00-0281	PULLEY	18	V205-00-1231	BOLT,8	18	V420-00-5030	CUSHION	16
V186-00-0510	JOINT,PIPE	16	V252-00-0630	SCREW HILO	8	V420-00-5040	CUSHION	16
V186-00-0530	JOINT,PIPE	16	V252-00-0800	SCREW HILO	16	V421-00-0050	PLUG 27	4
V196-00-0120	DRIVE BELT	18	V253-00-0850	SCREW TAPPING	8	V421-00-0050	PLUG 27	16
V203-00-0631	BOLT,5	8	V264-00-0190	NUT	18	V450-00-1240	COIL SPRING	18
V203-00-1650	STOPPER BOLT	4	V265-00-0220	NUT	6	V450-00-2280	SPRING, COMPRESSION	8
V203-00-1660	STOPPER BOLT 26	16	V265-00-0560	NUT,8	18	V452-00-0990	COIL SPRING	6
V203-00-2210	BOLT,5	6	V304-00-0290	WASHER	18	V452-00-1010	COIL SPRING	14
V203-00-2210	BOLT,5	18	V304-00-0300	COLLAR	6	V452-00-1620	SPRING,TORSION	16
V203-00-2210	BOLT,5	20	V304-00-0310	WASHER	14	V452-00-1820	SPRING,TORSION	20
V203-00-2220	BOLT,5	4	V304-00-0320	COLLAR	20	V470-00-1640	PULSE PIPE	8
V203-00-2230	BOLT,5	8	V308-00-0120	WASHER,CIRCULAR 11	18	V470-00-1650	PIPE	4

NUMERICAL PARTS INDEX

Part No	Part description	Page	Part No	Part description	Page
V470-00-1990	PIPE	16	V592-00-0440	BEARING, BALL	18
V470-00-2131	PIPE	16	V610-00-0010	PISTON PIN	2
V471-00-2800	PIPE	8	V700-00-0151	COUPLER	22
V471-00-3970	PIPE	16	X502-00-1120	LABEL,ECHO	14
V471-00-5380	PIPE	24	X502-00-1130	LABEL,ECHO	20
V471-00-5390	PIPE	24	X505-00-0001	LABEL,CAUTION	8
V471-00-5400	PIPE	16	X505-01-0770	LABEL,CAUTION	8
V475-00-8680	TUBE	6	X505-01-0780	LABEL,CAUTION	20
V485-00-2820	LEAD	6	X510-00-1050	LABEL,SWITCH	8
V490-00-0500	CLIP	16	X524-00-7060	LABEL	8
V490-00-0580	CLIP	16	X524-00-7160	LABEL	8
V494-00-0330	CAP	4	X543-00-5380	LABEL,MODEL	20
V495-00-2480	BAND	8	X602-00-0410	TOOL,WRENCH	22
V505-00-0150	OIL SEAL	14	X606-00-0080	TOOL,BAR	22
V508-00-0080	OIL SEAL	4	X705-00-0220	TOOL BAG	22
V510-00-0030	OIL SEAL	4			
V557-00-0030	BEARING,NEEDLE	2			
V580-00-0060	SNAP RING	2			
V581-00-0320	O RING	24			
V581-00-0600	RING,O	16			
V582-00-0210	SNAP RING	18			
V582-00-0210	SNAP RING	22			
V583-00-0210	SLIDE RING	18			
V583-00-0470	RING	18			